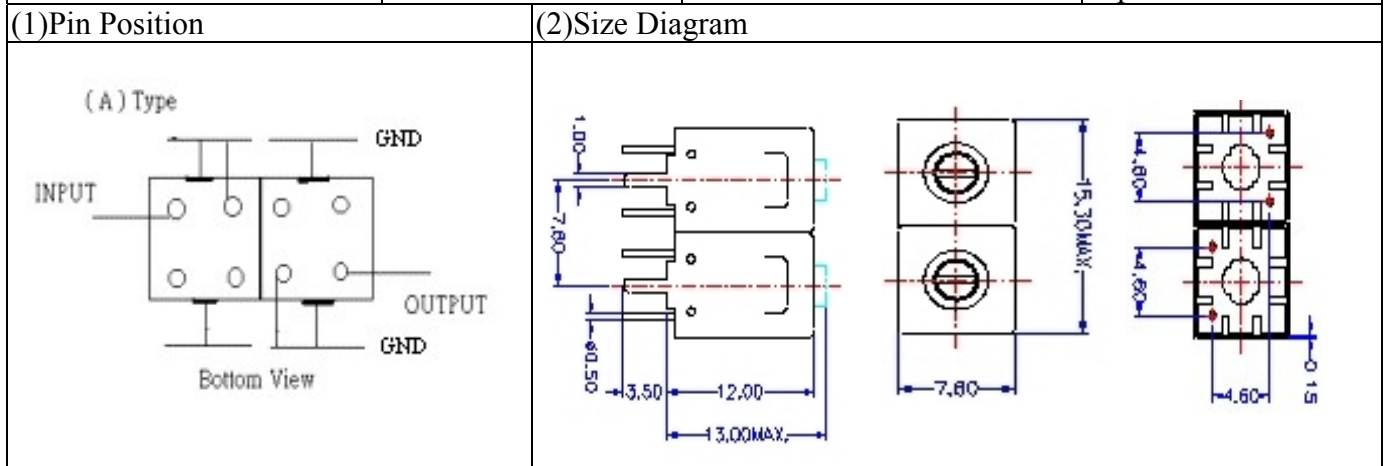


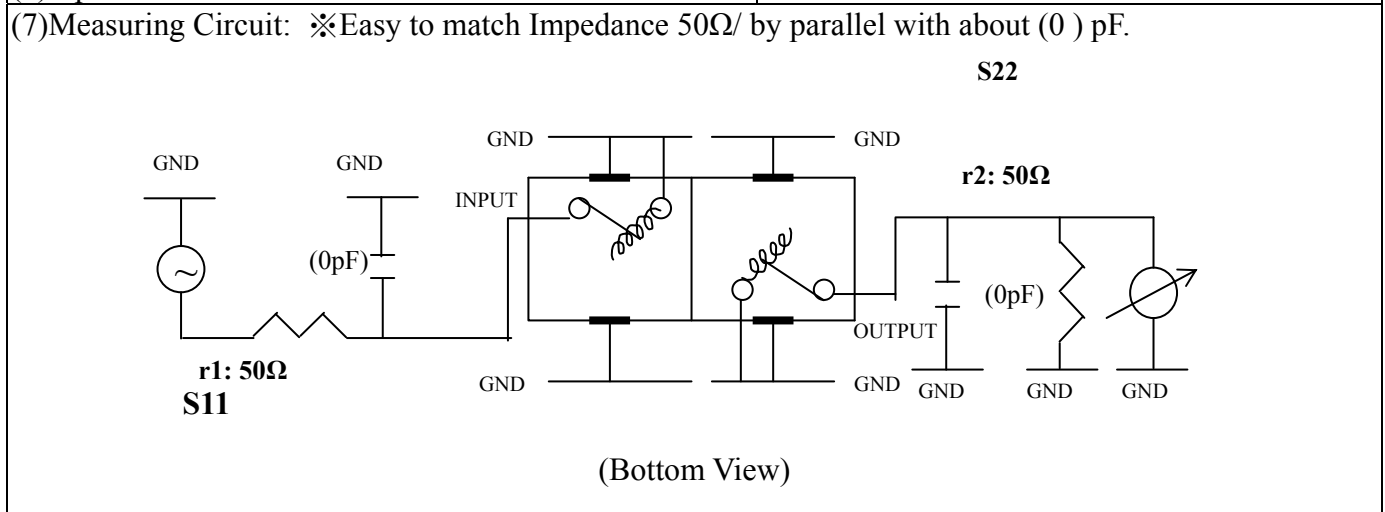
VHF UHF Helical Filter Specification Sheet

Customer Name		Temwell's Part No.	TD67519A-950M
Approval No. /dated	20201023APR	Acceptable Specify Fo Range	931~950 MHz
Work Instruction No.	20201023DC	Date	Sep.07.2006



(3) Electric Characteristic		Item	Specify	Performance
Center Freq.(Fo) +/- 0.5 %			950 MHz	950 MHz
Tunable Range			950±5 MHz	950±5 MHz
Insertion Loss		Typ.	2.0 dB	0.99 dB
-3 dB Bandwidth		Typ.	60 MHz	67.2 MHz
Sensitivity (Attenuation)	Fo - 100 MHz	Typ.	18 dBc	21 dBc
	Fo + 100 MHz	Typ.	14 dBc	17 dBc
	Fo - ()MHz	Typ.	dBc	dBc
	Fo + ()MHz	Typ.	dBc	dBc
Return Loss		Min.	12 dB	20.3 dB
Ripple			< 1 dB	dB
Impedance			In / Out : 50 Ω	In / Out : 50 Ω
(4) Torque for Tuning Screw			> 100gf · cm	

(5) Temperature Condition:	
Operating Temperature	0°C ~ +60°C
Storage Temperature	-20°C ~ +70°C
(6) Input Power	> 1Watt

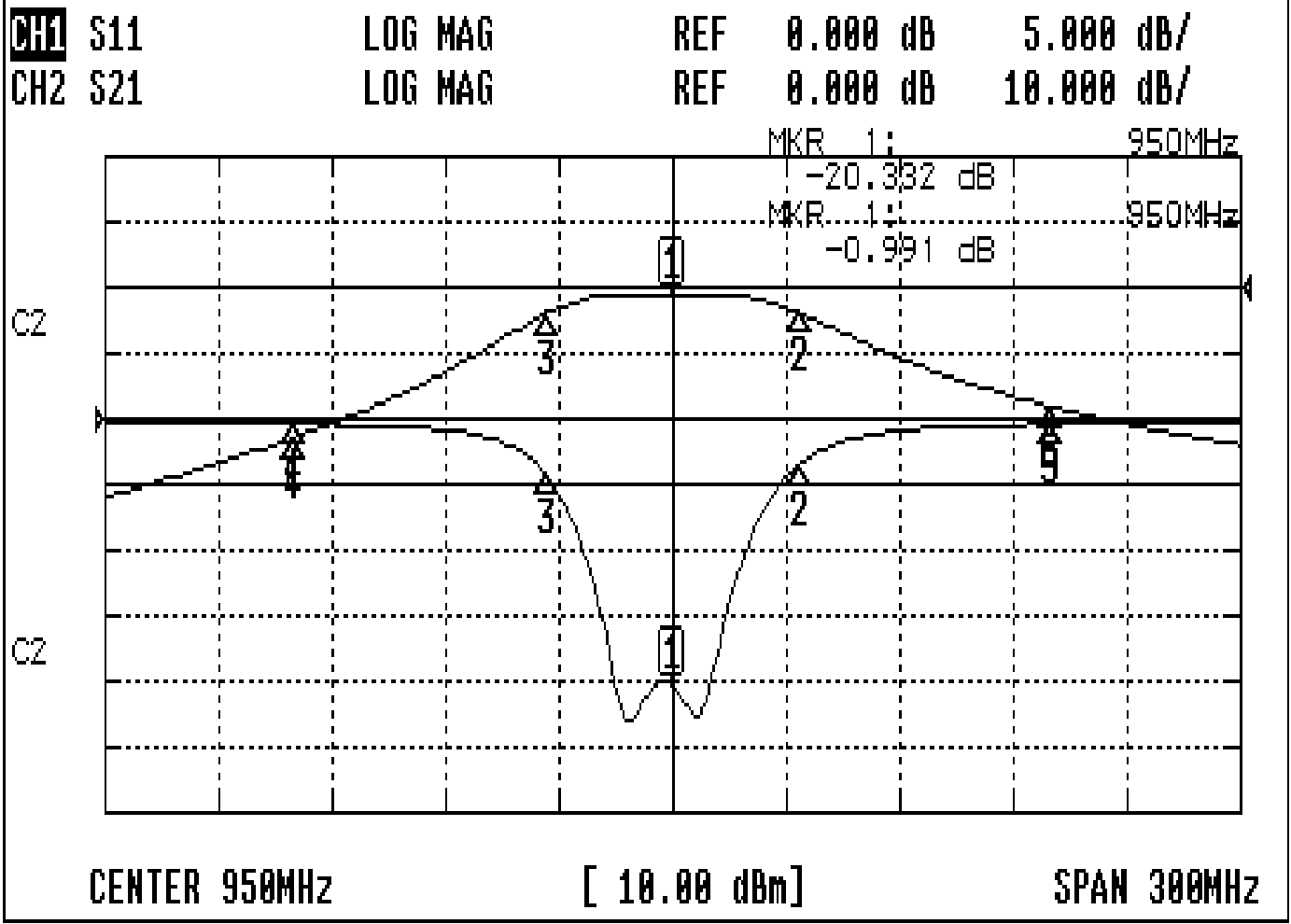


Approval	Supervisor	Designer	Aperture size
C.Y.Chang	C.S.Chang	W.W.Wang	7H2(4*7.5) 7H046LB6

TEMWELL CORPORATION

Performance-TD67519A-950M

20201023DC



CH1 MARKER LIST

1:	950.000MHz	-20.332	dB
2:	983.750MHz	-3.473	dB
3:	916.500MHz	-4.151	dB
4:	850.000MHz	-0.392	dB
5:	1.050 000GHz	-0.417	dB

CH2 MARKER LIST

1:	950.000MHz	-0.989	dB
2:	983.750MHz	-3.938	dB
3:	916.500MHz	-3.961	dB
4:	850.000MHz	-22.840	dB
5:	1.050 000GHz	-18.114	dB