



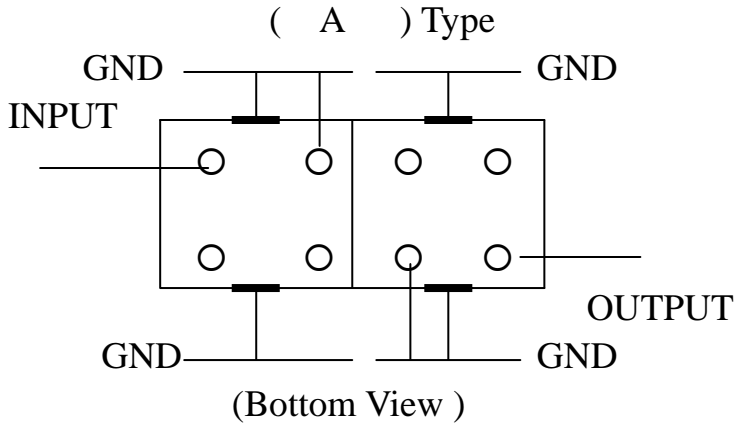
Custom Made UHF Filter & Duplexer

# Helical Filter Specification Sheet

Issued Dated :

|   |            |   |               |
|---|------------|---|---------------|
| Customer Name                             |            | Temwell's Part No.                            | TD67517A-900M |
| Approval No. /dated                       | 20201020DC | Customer's Part No.                           |               |
| Work Instruction No.                      | 20201020DC | Date  | 2002.01.16.   |
| <input type="checkbox"/> Buyer Print name |            | <input type="checkbox"/> Temwell,s print name |               |
| Case Name                                 | 7H2S       | Case size :                                   |               |
| Terminator Type                           | A          |   |               |

\* Pin Position (Pin Connection) diagram as following



(3) Electric Charasteric

| Item                           | Specify         | Performance     |        |
|--------------------------------|-----------------|-----------------|--------|
| Center Freq.(Fo ) +/- 0.5 %    | 900 MHz         | 900 MHz         |        |
| Insertion Loss                 | Typ.. 3.0 dB    | 2.12 dB         |        |
| -3 dB Bandwidth                | Typ. 70 MHz     | 74.5 MHz        |        |
| Sensentivity<br>(Attenuation ) | Fo - 150 MHz    | Typ. 24 dBc     | 27 dBc |
|                                | Fo + 150MHz     | Typ. 17 dBc     | 20 dBc |
|                                | Fo - ( )MHz     | Typ. dBc        | dBc    |
|                                | Fo +( )MHz      | Typ. dBc        | dBc    |
| Return Loss                    | Min. 12 dB      | 26.2 dB         |        |
| Ripple                         | < 1 dB          | dB              |        |
| Impedance                      | In / Out : 50 Ω | In / Out : 50 Ω |        |

4. Temperature Condition:

|                       |                 |
|-----------------------|-----------------|
| Operating Temperature | 0 °C ~ +60 °C   |
| Storage Temperature   | -20 °C ~ +70 °C |

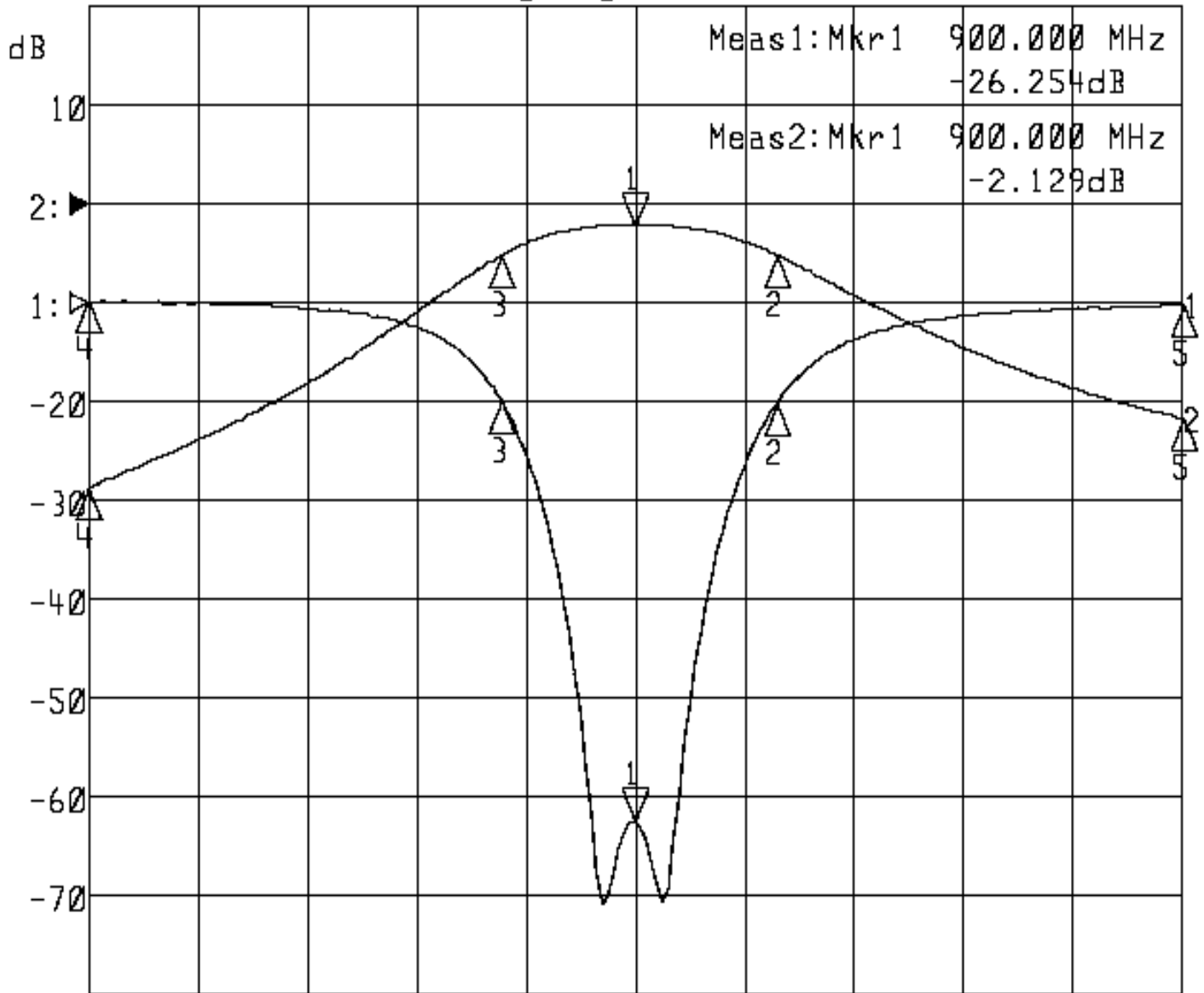
|          |            |          |                         |
|----------|------------|----------|-------------------------|
| Approval | Supervisor | Designer | Aperture size           |
|          |            |          | 7H2S(4*7.5)<br>7H046LB6 |

**TEMWELL CORPORATION**

# Performance-TD67517A-900M

## 20201020DC

▶1:S11 Refl Port1    Log Mag    5.0 dB/ Ref    0.00 dB    C  
 ▶2:S21 Fwd Trans    Log Mag    10.0 dB/ Ref    0.00 dB    C



Meas1: Mkr1    900.000 MHz  
                  -26.254 dB  
 Meas2: Mkr1    900.000 MHz  
                  -2.129 dB

Center 900.000 MHz

Span 300.000 MHz

| 1: Mkr (MHz) | dB      | 2: Mkr (MHz) | dB      |
|--------------|---------|--------------|---------|
| 1> 900.0000  | -26.254 | 1> 900.0000  | -2.129  |
| 2: 938.8000  | -5.076  | 2: 938.8000  | -5.174  |
| 3: 863.5000  | -5.010  | 3: 863.5000  | -5.168  |
| 4: 750.0000  | 0.094   | 4: 750.0000  | -28.639 |
| 5: 1050.0000 | -0.148  | 5: 1050.0000 | -21.690 |