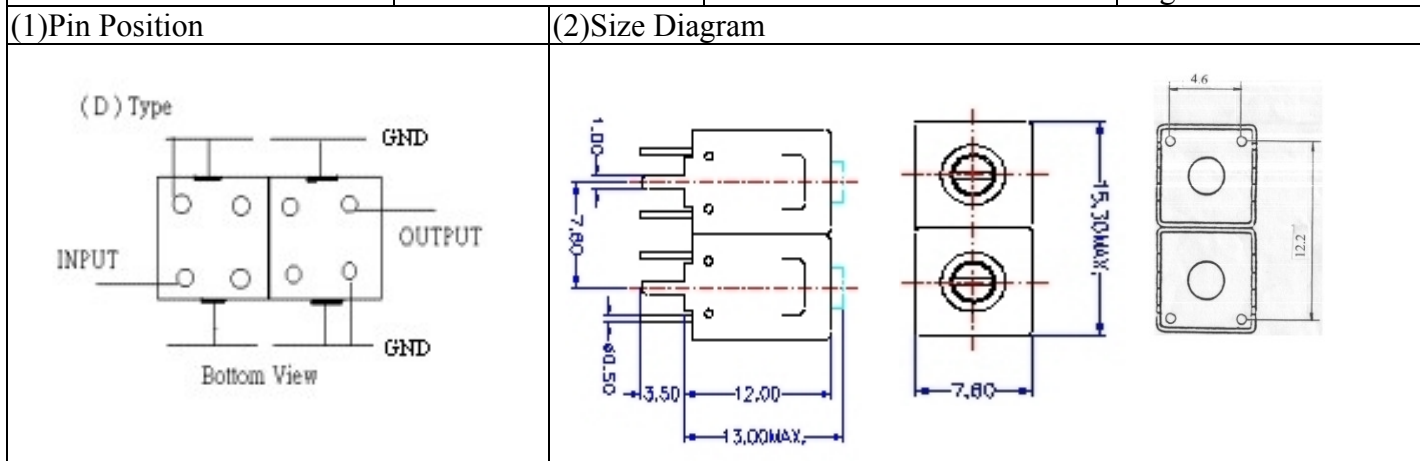


# VHF UHF Helical Filter Specification Sheet

Customer Name		Temwell's Part No.	TD6750D-580M
Approval No. /dated	9703107APR	Acceptable Specify Fo Range	556~595 MHz
Work Instruction No.	9703107	Date	Aug.23.2006



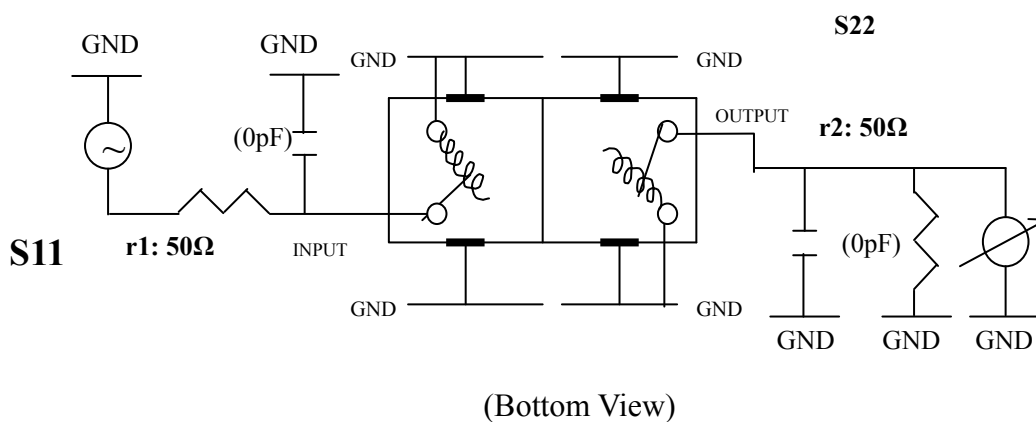
(3) Electric Character

Item	Specify	Performance	
Center Freq.(Fo) +/- 0.5 %	580 MHz	580 MHz	
Tunable Range	580±5 MHz	580±5 MHz	
Insertion Loss	Typ. 2.5 dB	1.42 dB	
-3 dB Bandwidth	Typ. 20 MHz	23.0 MHz	
Sensitivity (Attenuation)	Fo - 50 MHz	Typ. 25 dBc	28 dBc
	Fo + 50 MHz	Typ. 18 dBc	21 dBc
	Fo - ( )MHz	Typ. dBc	dBc
	Fo +( )MHz	Typ. dBc	dBc
Return Loss	Min. 12 dB	21.9 dB	
Ripple	< 1 dB	dB	
Impedance	In / Out : 50 Ω	In / Out : 50 Ω	
(4) Torque for Tuning Screw	> 100gf · cm		

(5) Temperature Condition:

Operating Temperature	0°C ~ +60°C
Storage Temperature	-20°C ~ +70°C
(6) Input Power	> 1Watt

(7) Measuring Circuit: ※Easy to match Impedance 50Ω by parallel with about ( 0 ) pF.



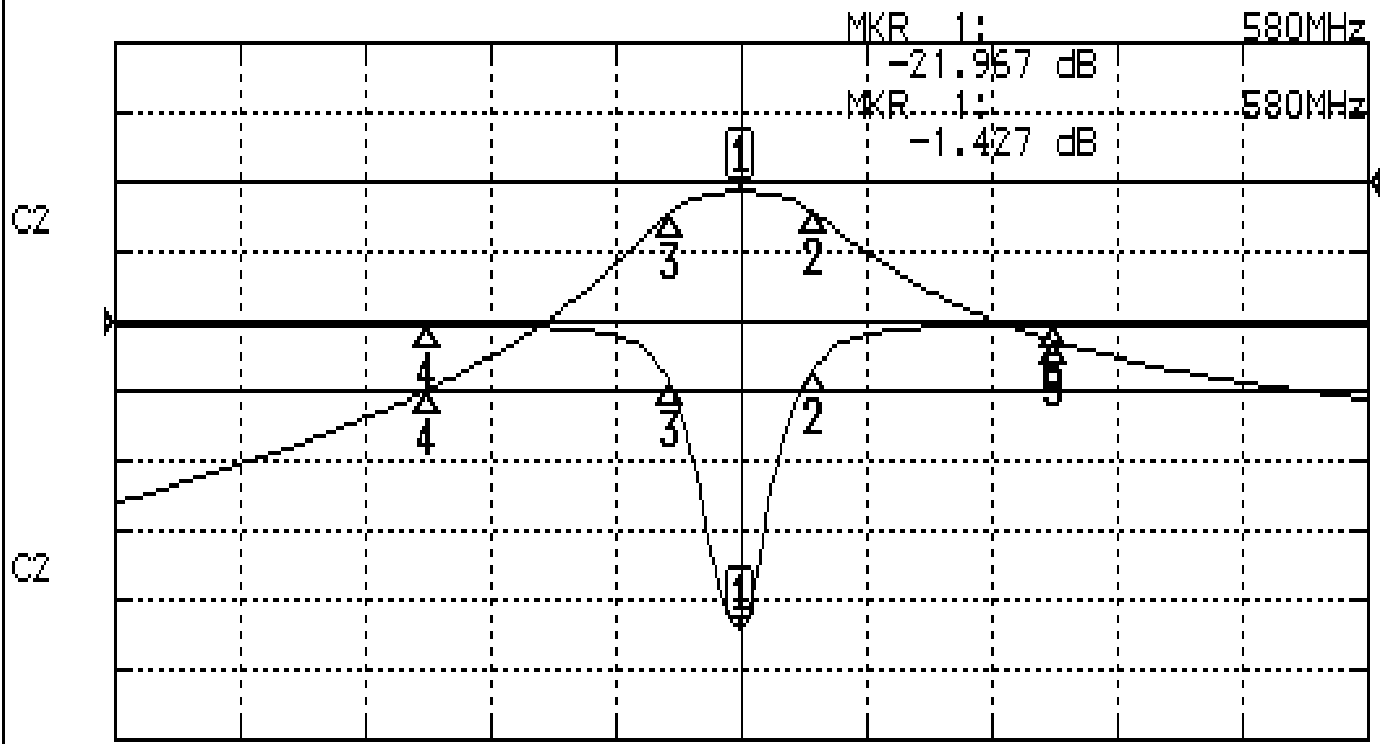
Approval	Supervisor	Designer	Aperture size
C.Y.Chang	C.S.Chang	W.W.Wang	7H2(4*5.5)F 7H046LB4 聚 3

TEMWELL CORPORATION

# Performance-TD6750D-580M

## 9703107

<b>CH1</b>	S11	LOG MAG	REF	0.000 dB	5.000 dB/
<b>CH2</b>	S21	LOG MAG	REF	0.000 dB	10.000 dB/



**CENTER 580MHz**

**[ 10.00 dBm ]**

**SPAN 200MHz**

**CH1 MARKER LIST**

1:	580.000MHz	-21.967	dB
2:	591.666MHz	-3.363	dB
3:	568.666MHz	-4.540	dB
4:	530.000MHz	-0.235	dB
5:	630.000MHz	-0.202	dB

**CH2 MARKER LIST**

1:	580.000MHz	-1.427	dB
2:	591.666MHz	-4.457	dB
3:	568.666MHz	-4.396	dB
4:	530.000MHz	-29.769	dB
5:	630.000MHz	-22.811	dB