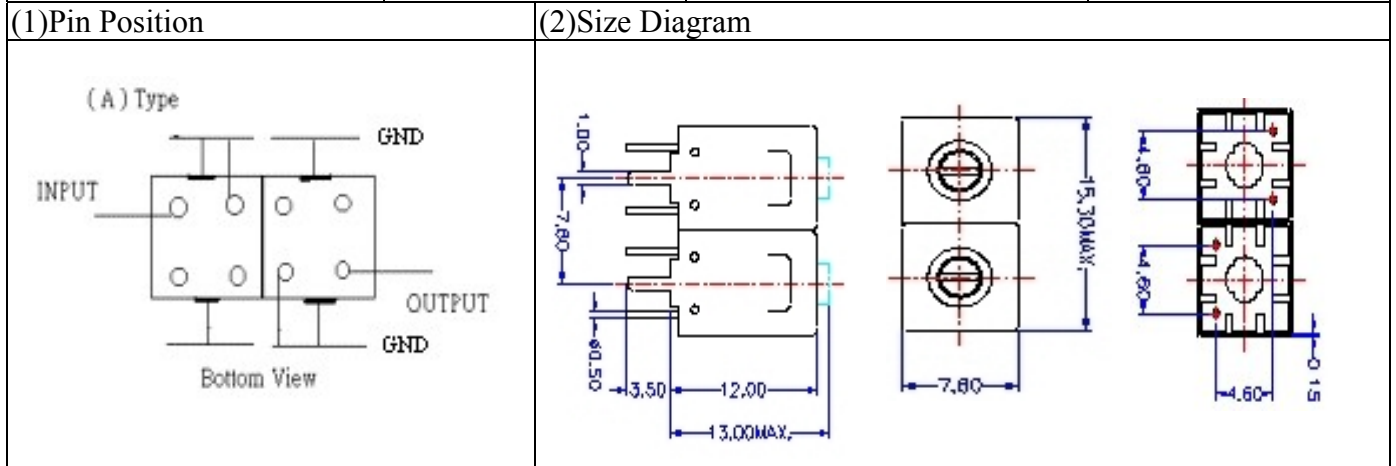


# VHF UHF Helical Filter Specification Sheet

Customer Name		Temwell's Part No.	TD67502A-700M
Approval No. /dated	20112107APR	Acceptable Specify Fo Range	661~700 MHz
Work Instruction No.	20112107DC	Date	Sep.07.2006



(3) Electric Characteristic

Item	Specify	Performance	
Center Freq.(Fo) +/- 0.5 %	700 MHz	700 MHz	
Tunable Range	700±3 MHz	700±3 MHz	
Insertion Loss	Typ. 2.0 dB	0.71 dB	
-3 dB Bandwidth	Typ. 68 MHz	72.5 MHz	
Sensitivity (Attenuation)	Fo - 100 MHz	Typ. 19 dBc	21 dBc
	Fo + 100 MHz	Typ. 13 dBc	16 dBc
	Fo - ( )MHz	Typ. dBc	dBc
	Fo +( )MHz	Typ. dBc	dBc
Return Loss	Min. 12 dB	22.1 dB	
Ripple	< 1 dB	dB	
Impedance	In / Out : 50 Ω	In / Out : 50 Ω	

(4) Torque for Tuning Screw > 100gf · cm

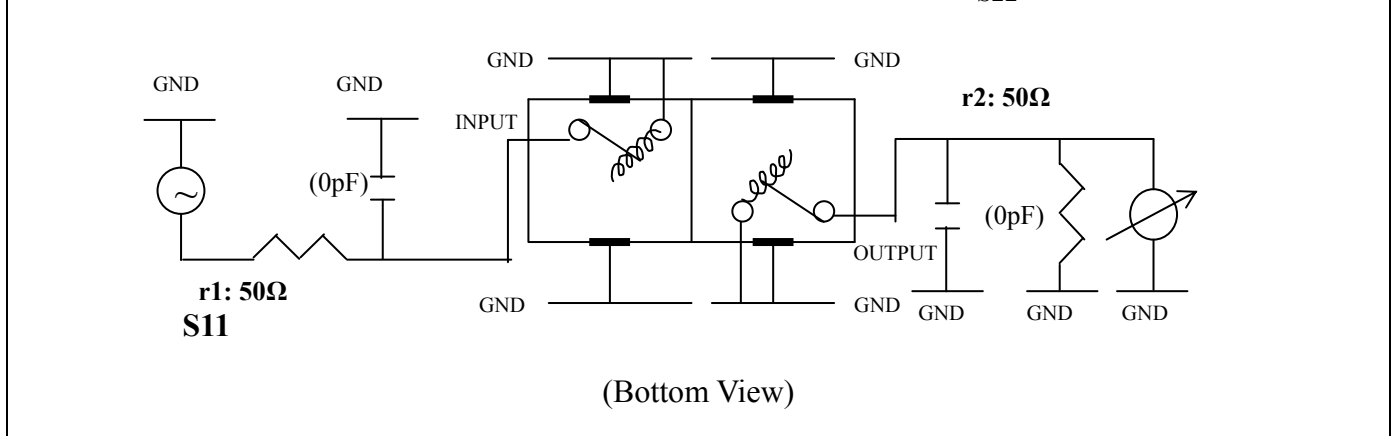
(5) Temperature Condition:

Operating Temperature	0°C ~ +60°C
-----------------------	-------------

Storage Temperature	-20°C ~ +70°C
---------------------	---------------

(6) Input Power > 1Watt

(7) Measuring Circuit: ※Easy to match Impedance 50Ω/ by parallel with about (0) pF.

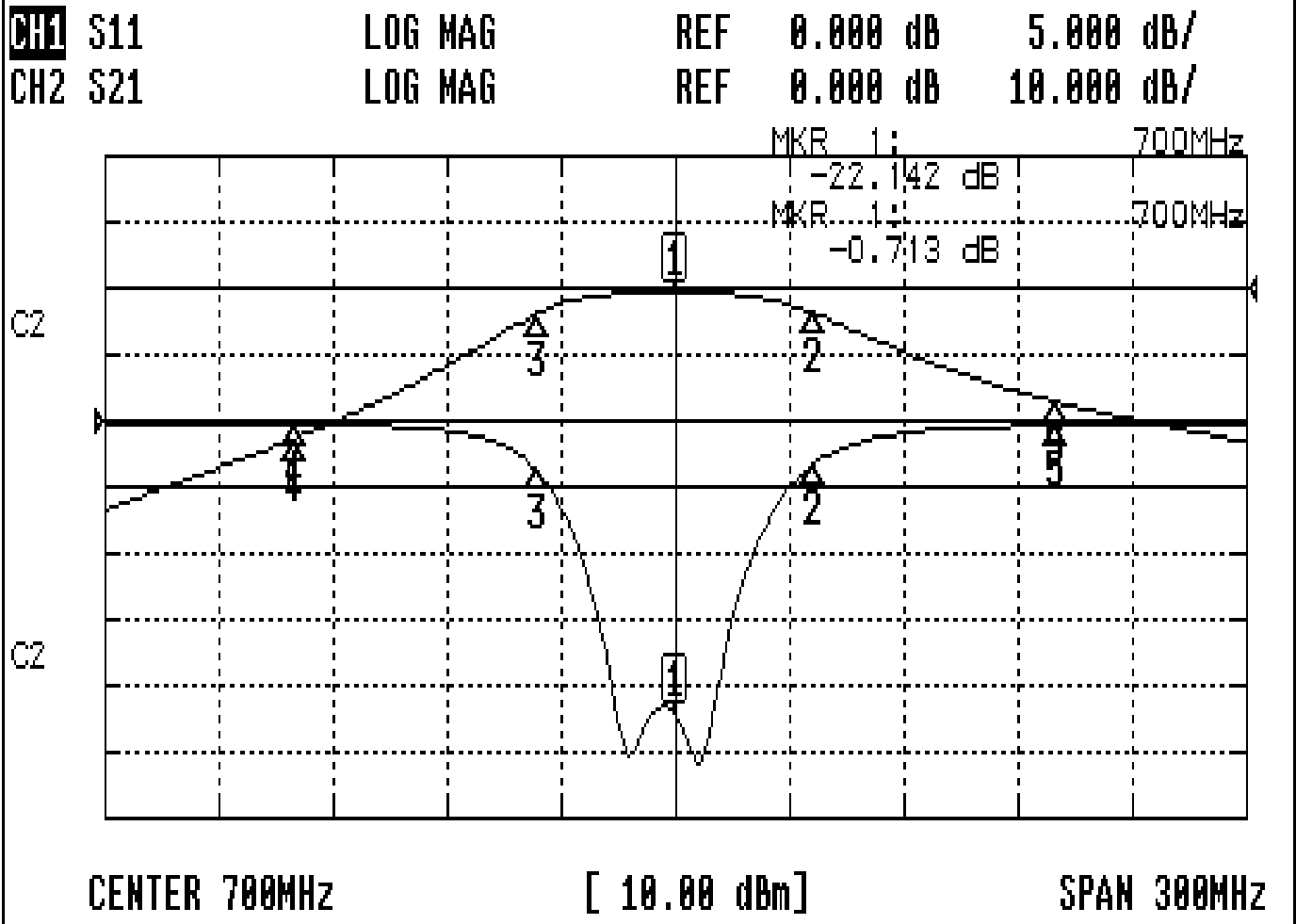


Approval	Supervisor	Designer	Aperture size
C.Y.Chang	C.S.Chang	W.W.Wang	7H2(4*5.5)F 7H046LB5.5

TEMWELL CORPORATION

# Performance-TD67502A-700M

## 20112107DC



### CH1 MARKER LIST

Marker	Frequency (MHz)	Magnitude (dB)
1	700.000	-22.142
2	736.250	-3.302
3	663.750	-3.773
4	600.000	-0.276
5	800.000	-0.379

### CH2 MARKER LIST

Marker	Frequency (MHz)	Magnitude (dB)
1	700.000	-0.713
2	736.250	-3.740
3	663.750	-3.757
4	600.000	-22.632
5	800.000	-17.080