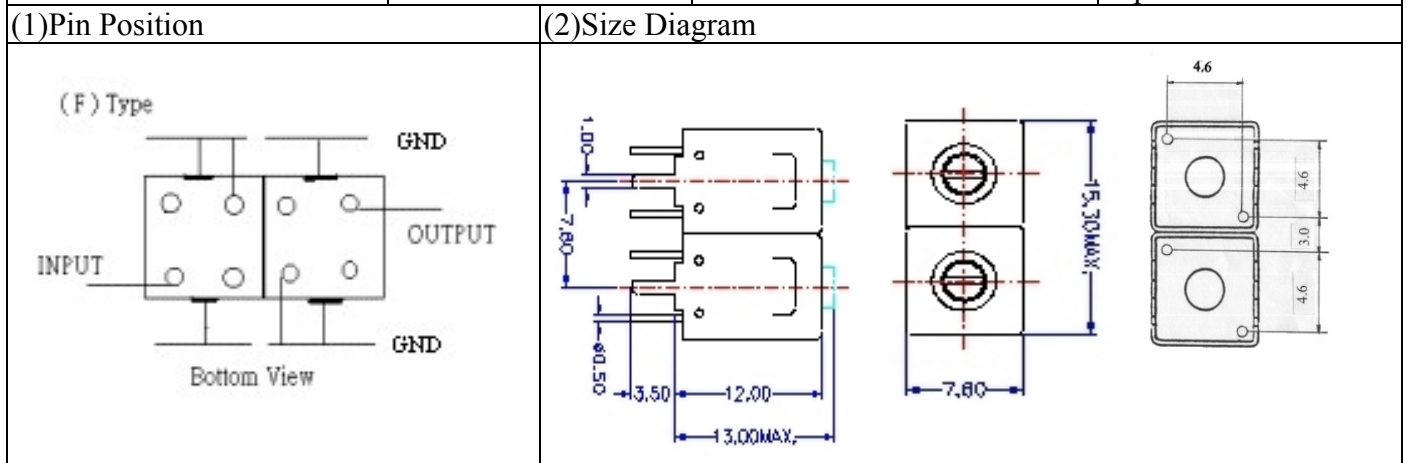


# VHF UHF Helical Filter Specification Sheet

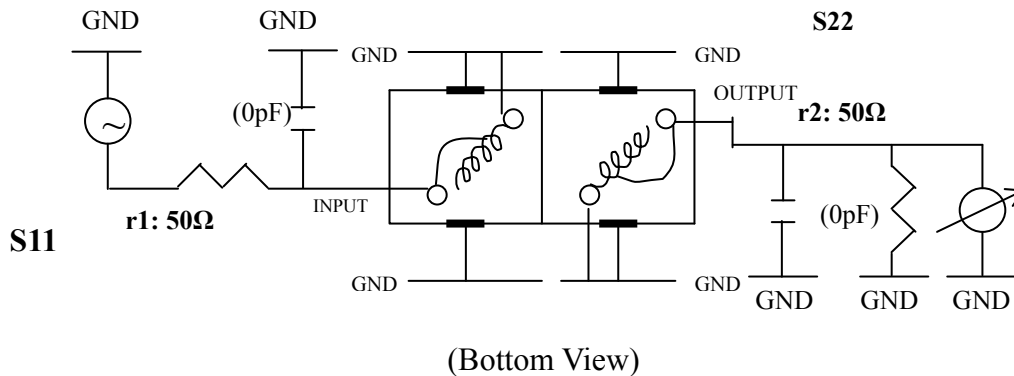
Customer Name		Temwell's Part No.	TD67498F-600M
Approval No. /dated	20112103APR	Acceptable Specify Fo Range	596~640 MHz
Work Instruction No.	20112103DC	Date	Sep.07.2006



### (3) Electric Character

Item	Specify	Performance	
Center Freq.(Fo) +/- 0.5 %	600 MHz	600 MHz	
Tunable Range	600±3 MHz	600±3 MHz	
Insertion Loss	Typ. 1.5 dB	0.68 dB	
-3 dB Bandwidth	Typ. 65 MHz	69.2 MHz	
Sensitivity (Attenuation)	Fo - 100 MHz	Typ. 20 dBc	22 dBc
	Fo + 100 MHz	Typ. 12 dBc	14 dBc
	Fo - ( )MHz	Typ. dBc	dBc
	Fo +( )MHz	Typ. dBc	dBc
Return Loss	Min. 12 dB	23.3 dB	
Ripple	< 1 dB	dB	
Impedance	In / Out : 50 Ω	In / Out : 50 Ω	
(4) Torque for Tuning Screw	> 100gf · cm		
(5) Temperature Condition:			
Operating Temperature	0°C ~ +60°C		
Storage Temperature	-20°C ~ +70°C		
(6) Input Power	> 1Watt		

### (7) Measuring Circuit: ※Easy to match Impedance 50Ω by parallel with about ( 0 ) pF.



Approval	Supervisor	Designer	Aperture size
C.Y.Chang	C.S.Chang	W.W.Wang	7H2(4*5.5)F 7H046LB5.5

TEMWELL CORPORATION

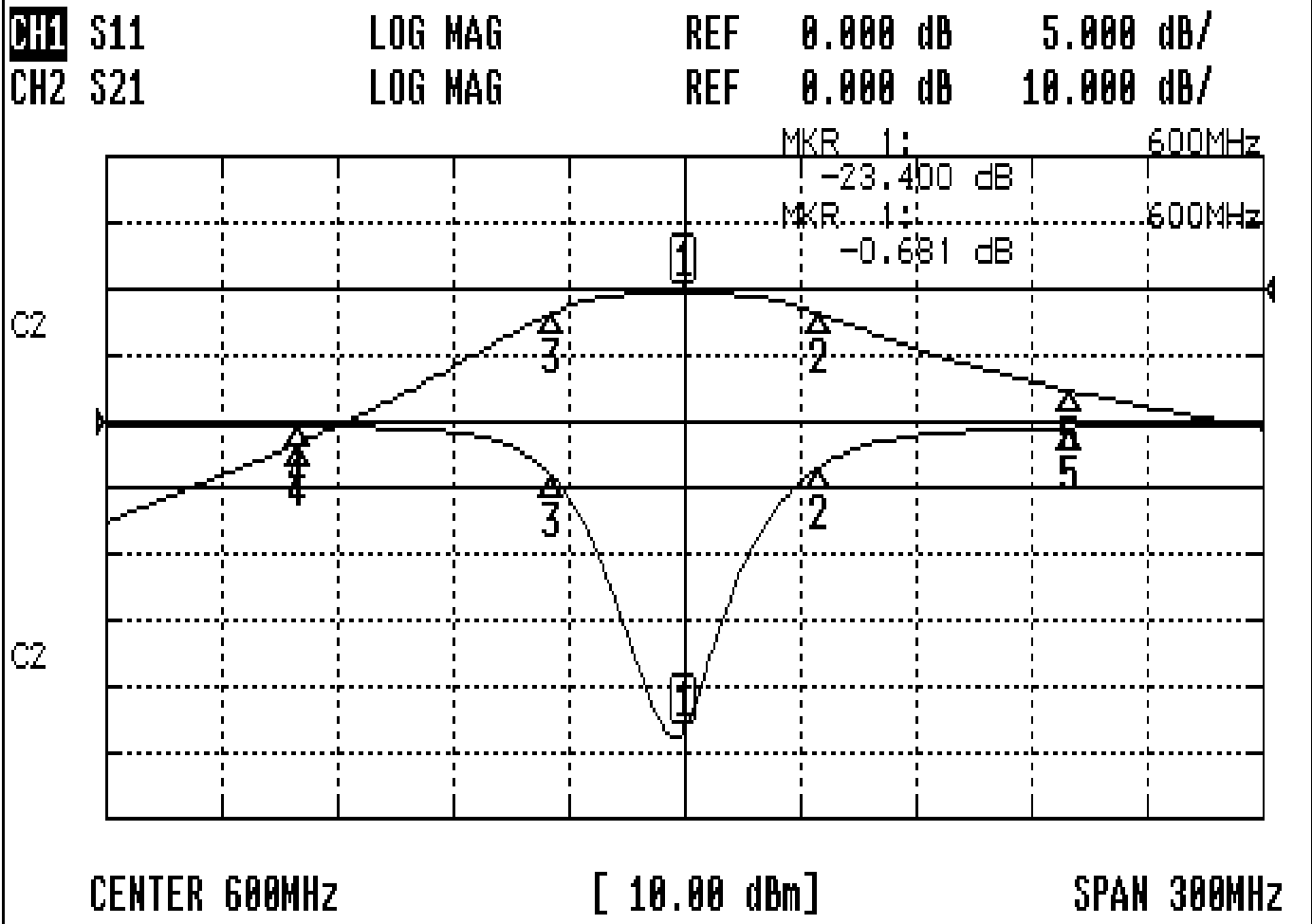
TEMWELL

Form10-7H2F Vision D

RP W.W.Wang

# Performance-TD67498F-600M

## 20112103DC



### CH1 MARKER LIST

1	600.000MHz	-23.367	dB
2	634.750MHz	-0.466	dB
3	565.500MHz	-1.400	dB
4	500.000MHz	-0.327	dB
5	700.000MHz	-0.444	dB

### CH2 MARKER LIST

1	600.000MHz	-0.681	dB
2	634.750MHz	-1.141	dB
3	565.500MHz	-2.150	dB
4	500.000MHz	-23.215	dB
5	700.000MHz	-15.329	dB