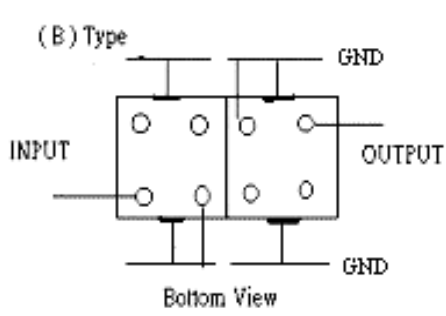
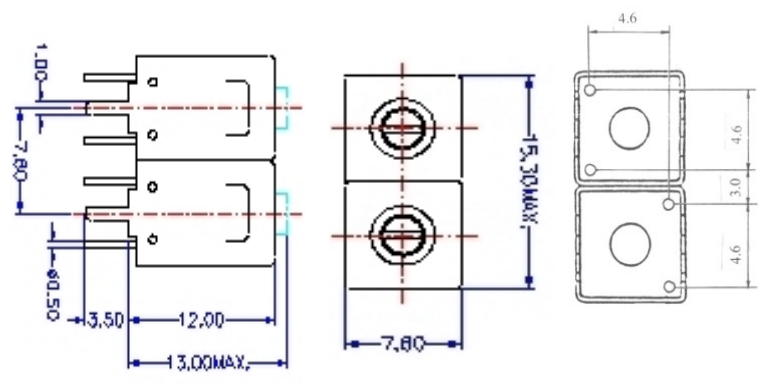


VHF UHF Helical Filter Specification Sheet

Customer Name		Temwell's Part No.	TD67496B-550M
Approval No. /dated	20112101DC	Acceptable Specify Fo. Range	516~555MHz
Work Instruction No.	20112101DC	Date	Jan.04.2002

(1)Pin Position	(2)Size Diagram
	

(3)Electric Character

Item	Specify	Performance
Center Freq.(Fo) +/- 0.5 %	550 MHz	550 MHz
Tunable Range	550±3 MHz	550±3 MHz
Insertion Loss	Typ. 1.5 dB	0.44 dB
-3 dB Bandwidth	Typ. 80 MHz	83 MHz
Sensitivity (Attenuation)	Fo - 150 MHz	Typ. 16 dBc
	Fo + 150 MHz	Typ. 21 dBc
	Fo - ()MHz	Typ. dBc
	Fo +()MHz	Typ. dBc
Return Loss	Min. 12 dB	19.2 dB
Ripple	< 1 dB	1 dB
Impedance	In / Out : 50 Ω	In / Out : 50 Ω
(4)Torque for Tuning Screw	> 100gf • cm	

(5)Temperature Condition:

Operating Temperature	0°C ~ +60°C
Storage Temperature	-20°C ~ +70°C

(6)Input Power

	> 1Watt
--	---------

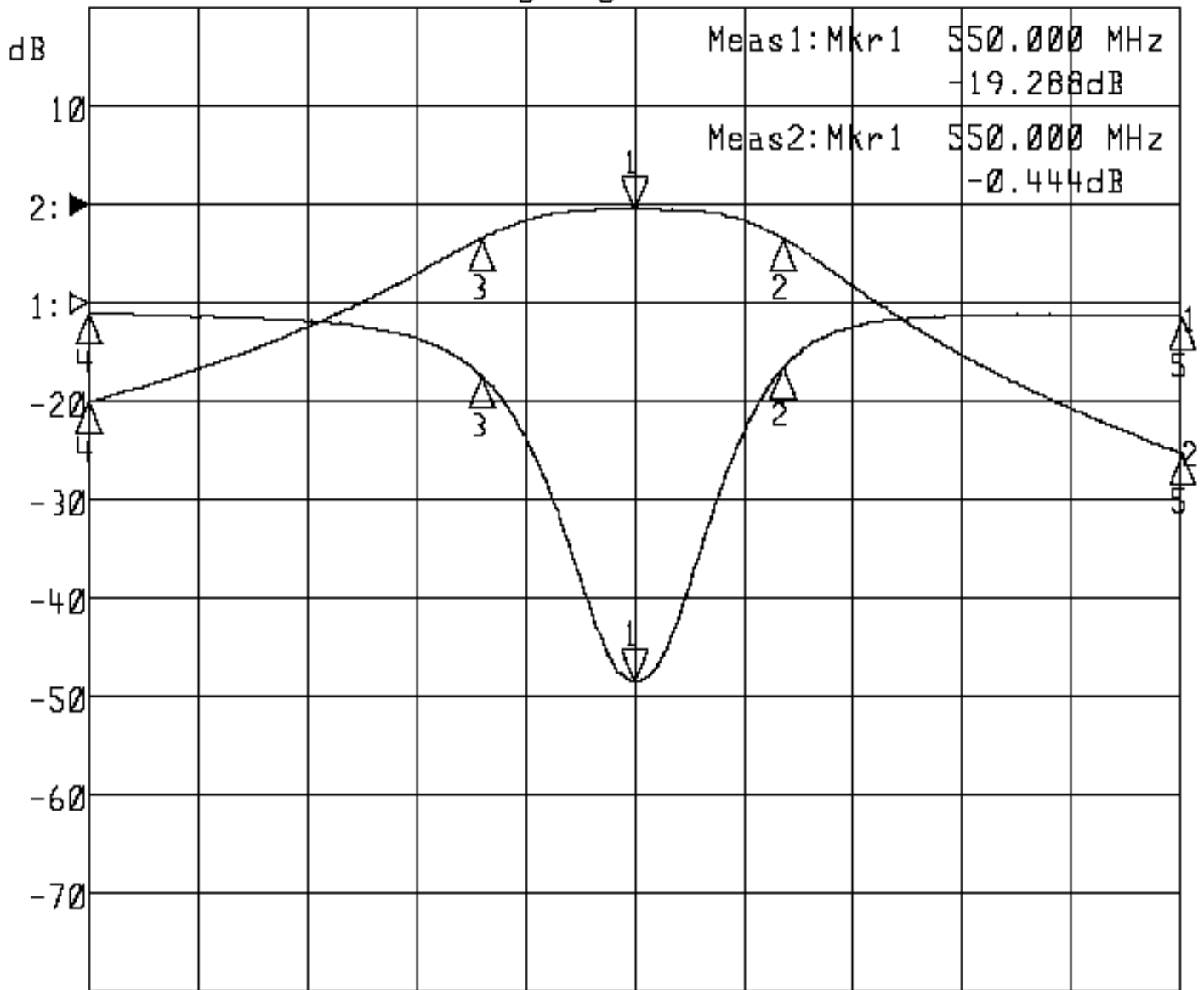
Approval	Supervisor	Designer	Aperture size
C.Y.Chang	C.S.Chang	Enlan	7H2S(4*7.5) 7H046LB6

TEMWELL CORPORATION

Performance-TD67496B-550M

20112101DC

▶1: S11 Refl Port1 Log Mag 5.0 dB/ Ref 0.00 dB C
 ▶2: S21 Fwd Trans Log Mag 10.0 dB/ Ref 0.00 dB C



Center 550.000 MHz

Span 300.000 MHz

1: Mkr (MHz)	dB	2: Mkr (MHz)	dB
1> 550.0000	-19.288	1> 550.0000	-0.444
2: 591.0000	-3.306	2: 591.0000	-3.465
3: 507.9000	-3.691	3: 507.9000	-3.468
4: 400.0000	-0.561	4: 400.0000	-20.076
5: 700.0000	-0.693	5: 700.0000	-25.204