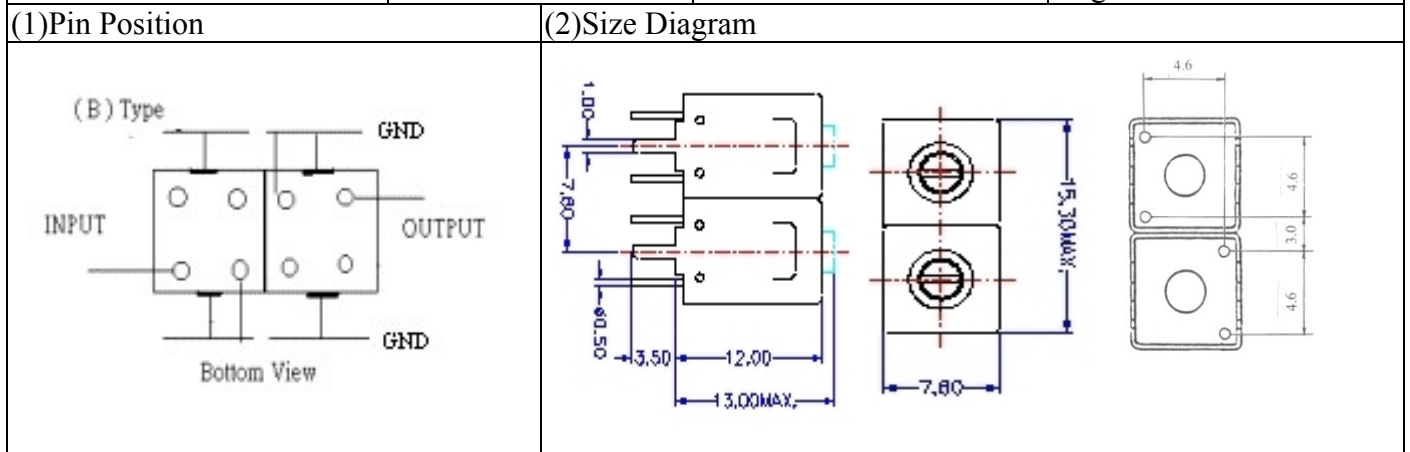


VHF UHF Helical Filter Specification Sheet

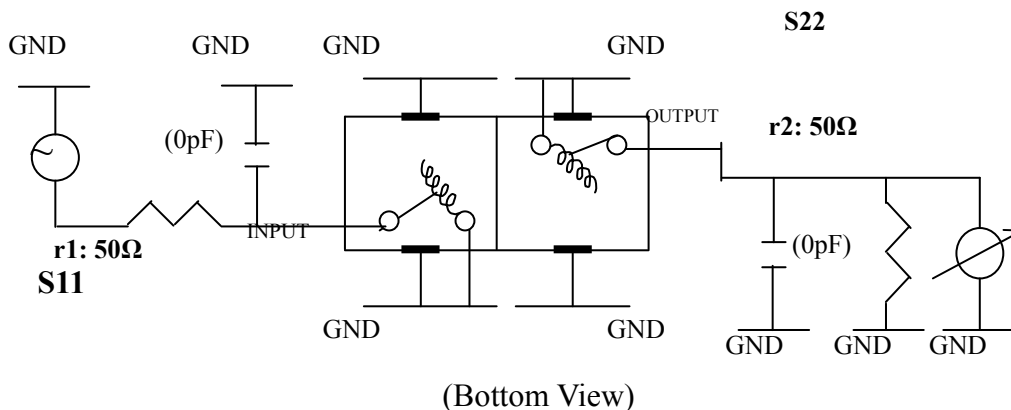
Customer Name		Temwell's Part No.	TD67492B-475M
Approval No. /dated	20112091APR	Acceptable Specify Fo Range	456~515 MHz
Work Instruction No.	20112091DC	Date	Aug.22.2006



(3) Electric Character		Item	Specify	Performance
Center Freq.(Fo) +/- 0.5 %			475 MHz	475 MHz
Tunable Range			475±3 MHz	475±3 MHz
Insertion Loss			Typ. 2.0 dB	0.58 dB
-1 dB Bandwidth			Typ. 50 MHz	56.5 MHz
-3 dB Bandwidth			Typ. 57 MHz	60.0 MHz
Sensitivity (Attenuation)	Fo -150 MHz	Typ. 20 dBc		22 dBc
	Fo +150 MHz	Typ. 25 dBc		26 dBc
	Fo - ()MHz	Typ. dBc		dBc
	Fo +()MHz	Typ. dBc		dBc
Return Loss			Min. 12 dB	20.8 dB
Ripple			< 1 dB	dB
Impedance			In / Out : 50 Ω	In / Out : 50 Ω
(4) Torque for Tuning Screw			> 100gf · cm	

(5) Temperature Condition:	
Operating Temperature	0°C ~ +60°C
Storage Temperature	-20°C ~ +70°C
(6) Input Power	> 1 Watt

(7) Measuring Circuit: ※Easy to match Impedance 50Ω by parallel with about (0) pF.

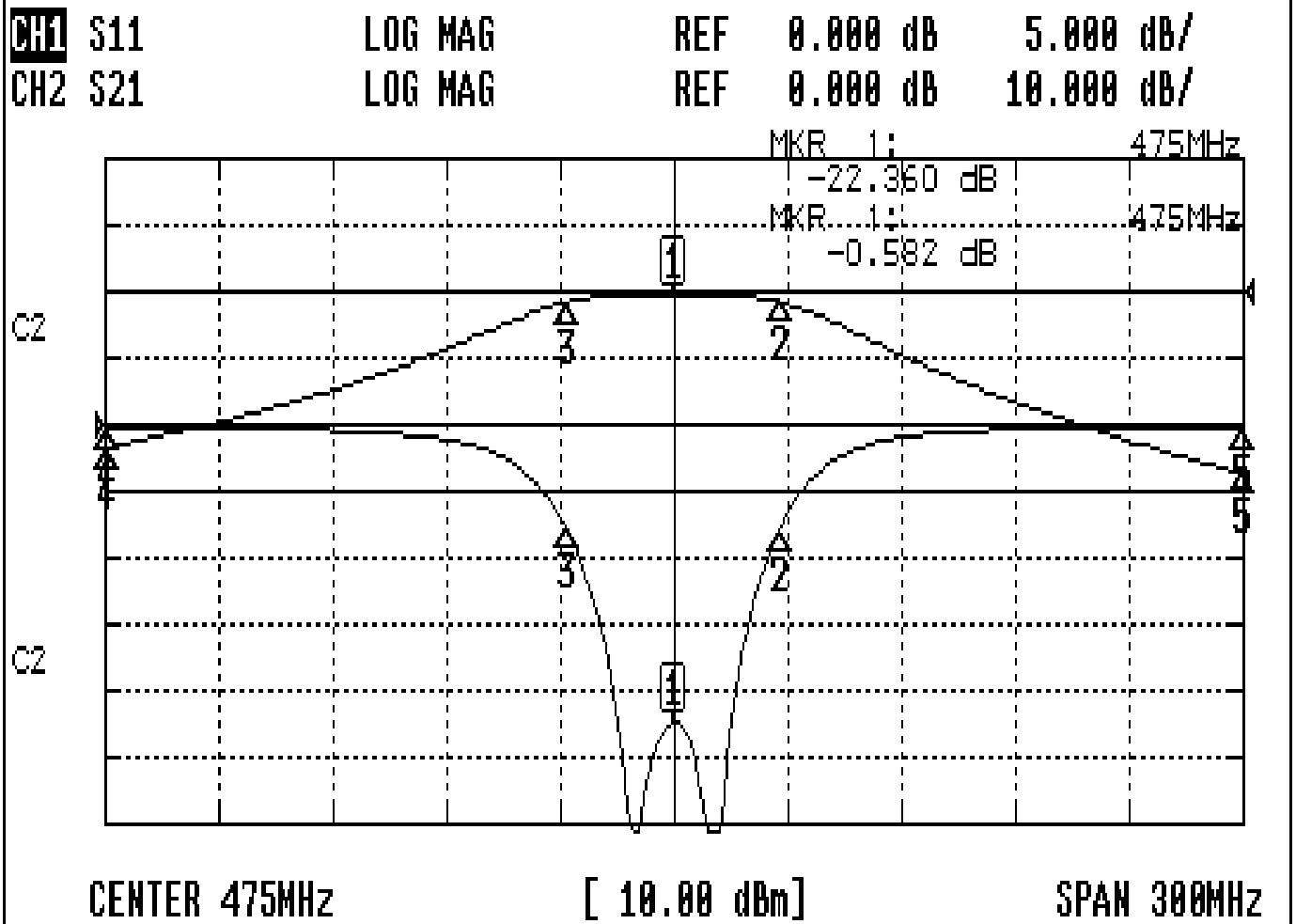


Approval	Supervisor	Designer	Aperture size
C.Y.Chang	C.S.Chang	W.W.Wang	7H2(4*7.5)F 7H046LB6

TEMWELL CORPORATION

Performance-TD67492B-475M

20112091DC



CH1 MARKER LIST

1:	475.000MHz	-22.360 dB
2:	503.250MHz	-7.733 dB
3:	446.750MHz	-7.812 dB
4:	325.000MHz	-0.233 dB
5:	625.000MHz	-0.293 dB

CH2 MARKER LIST

1:	475.000MHz	-0.581 dB
2:	503.250MHz	-1.545 dB
3:	446.750MHz	-1.557 dB
4:	325.000MHz	-23.416 dB
5:	625.000MHz	-27.248 dB