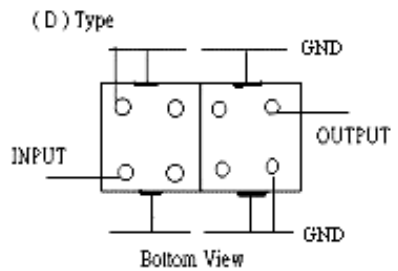
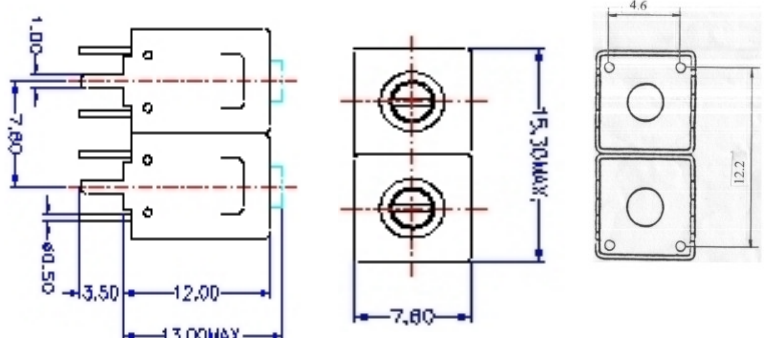


# VHF UHF Helical Filter Specification Sheet

Customer Name		Temwell's Part No.	TD6746D-455M
Approval No. /dated	20208060B	Acceptable Specify Fo. Range	456~515M
Work Instruction No.	20208060B	Date	Aug. 14, 2001

<p>(1) Pin Position</p>  <p style="text-align: center;">Bottom View</p>	<p>(2) Size Diagram</p> 
--	--

(3) Electric Character

Item	Specify	Performance	
Center Freq.(Fo) +/- 0.5 %	455 MHz	455 MHz	
Tunable Range:	455±5 MHz	455±5 MHz	
Insertion Loss	Typ. 2.5 dB	1.50 dB	
-3 dB Bandwidth	Typ. 11 MHz	15.6 MHz	
Sensitivity (Attenuation)	Fo - 50 MHz	Typ. 35 dBc	38 dBc
	Fo + 50 MHz	Typ. 24 dBc	26 dBc
	Fo - ( )MHz	Typ. dBc	dBc
	Fo + ( )MHz	Typ. dBc	dBc
Return Loss	Min. 12 dB	15.6 dB	
Ripple	< 1 dB	dB	
Impedance	In / Out : 50 Ω	In / Out : 50 Ω	
(4) Torque for Tuning Screw	> 100gf · cm		

(5) Temperature Condition:

Operating Temperature	0°C ~ +60°C
Storage Temperature	-20°C ~ +70°C

(6) Input Power

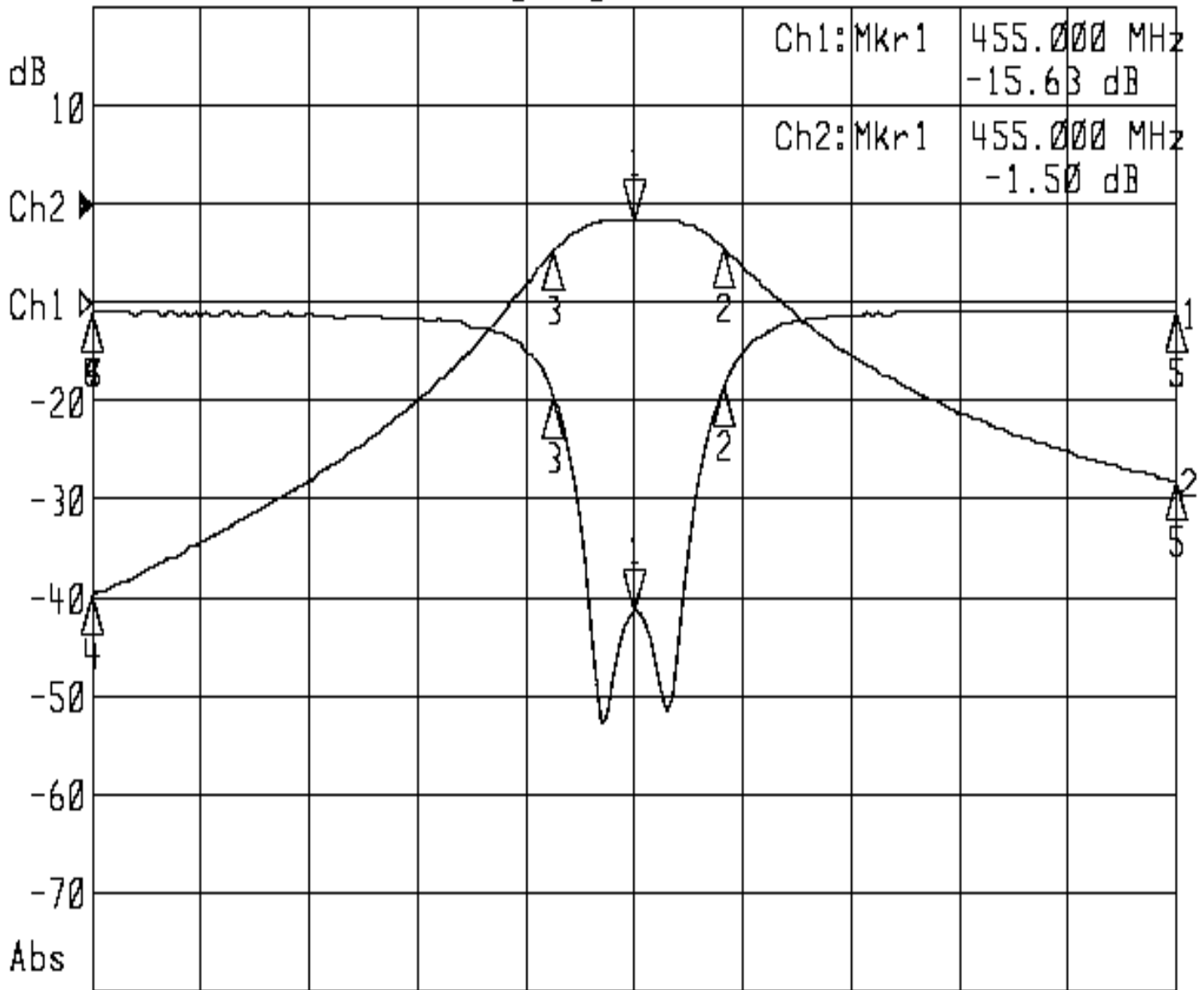
			> 1Watt
Approval	Supervisor	Designer	Aperture size
C.Y.Chang	C.S.Chang	C.S.Chang	7H2(4*5.5) 7H046LB4

TEMWELL CORPORATION

# Performance-TD6746D-455M

## 20208060B

▶1: Reflection /M Log Mag 5.0 dB/ Ref 0.00 dB C  
 ▶2: Transmission Log Mag 10.0 dB/ Ref 0.00 dB C



Center 455.000 MHz

Span 100.000 MHz

1: Mkr (MHz)	dB	2: Mkr (MHz)	dB
1> 455.00	-15.63	1> 455.00	-1.50
2: 463.29	-4.17	2: 463.29	-4.41
3: 447.60	-4.80	3: 447.60	-4.60
4: 405.00	-0.52	4: 405.00	-39.71
5: 505.00	-0.48	5: 505.00	-28.10
6: 405.00	-0.52		
7: 405.00	-0.52		