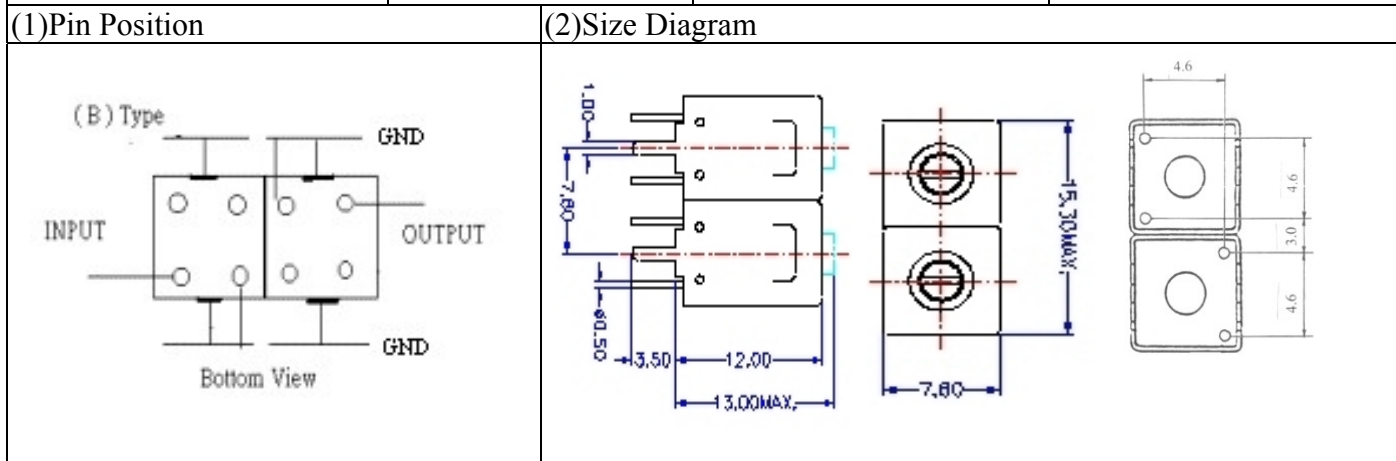


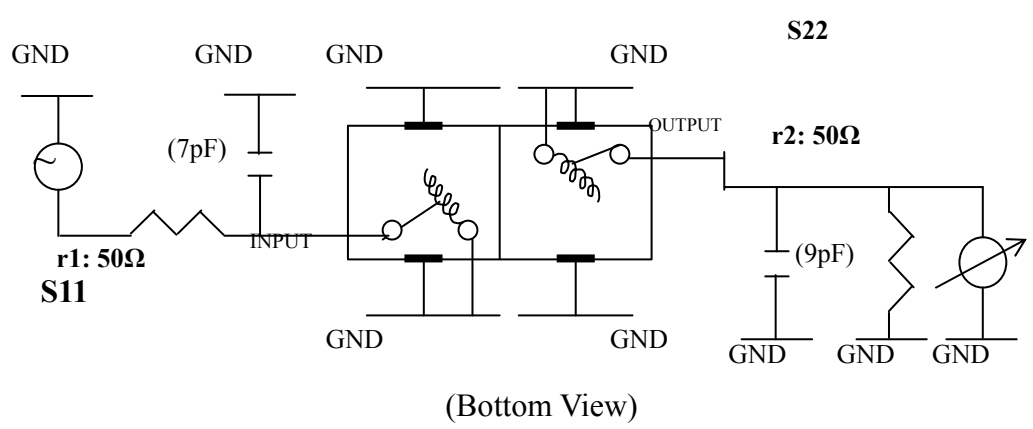
VHF UHF Helical Filter Specification Sheet

Customer Name		Temwell's Part No.	TD67433B-140M
Approval No. /dated	20010029APR	Temwell's Print Name	126~145M
Work Instruction No.	20010029DC	Date	Jul.28.2006



(3) Electric Character			
Item		Specify	Performance
Center Freq.(Fo) +/- 0.5 %		140 MHz	140 MHz
Tunable Range		140±2 MHz	140±2 MHz
Insertion Loss		Typ. 2.0 dB	1.00 dB
-3 dB Bandwidth		Typ. 33 MHz	36 MHz
Sensitivity (Attenuation)	Fo - 50 MHz	Typ. 14 dBc	17 dBc
	Fo + 50 MHz	Typ. 15 dBc	18 dBc
	Fo - ()MHz	Typ. dBc	dBc
	Fo +()MHz	Typ. dBc	dBc
Return Loss		Min. 12 dB	13.4 dB
Ripple		< 1 dB	dB
Impedance		In / Out : 50 Ω	In / Out : 50 Ω
(4) Torque for Tuning Screw		> 100gf · cm	
(5) Temperature Condition:			
Operating Temperature		-0°C ~ +60°C	
Storage Temperature		-20°C ~ +70°C	
(6) Input Power		> 1 Watt	

(7) Measuring Circuit: ※Easy to match Impedance 50Ω by parallel with about (7) pF(9) pF



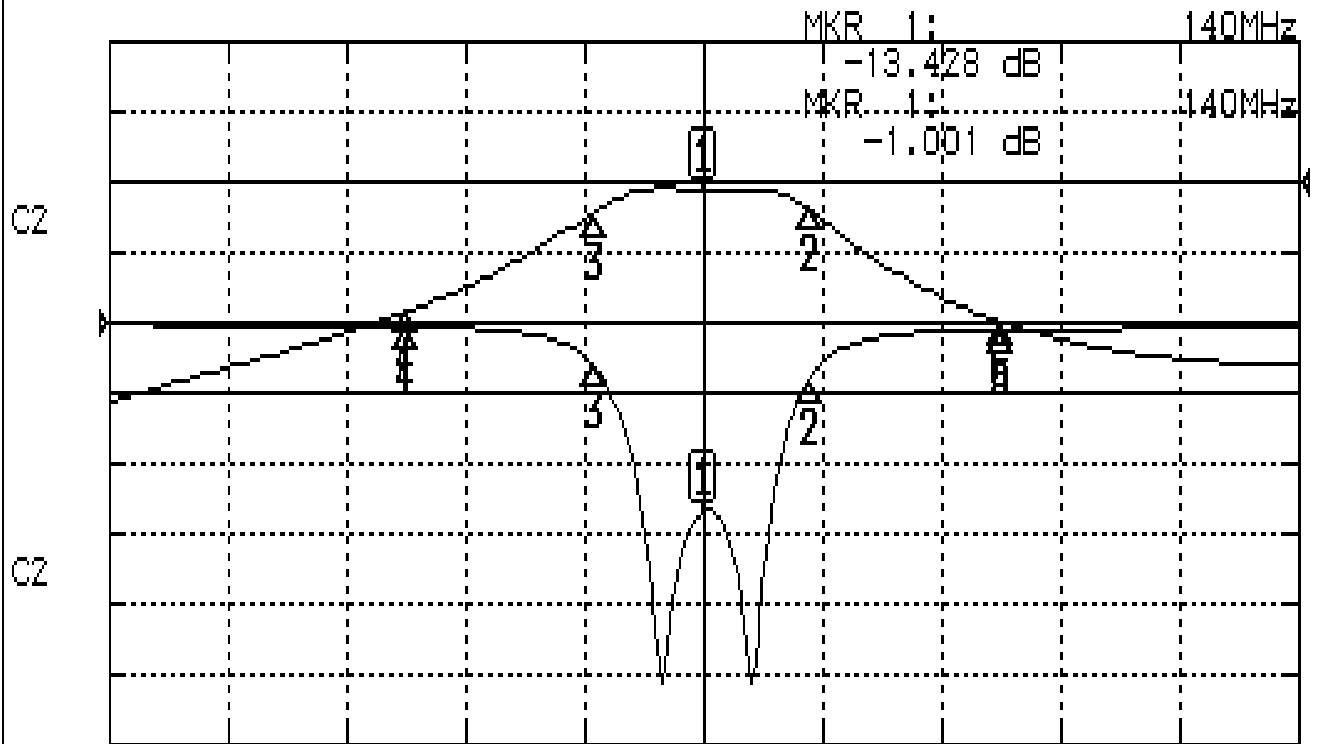
Approval	Supervisor	Designer	Aperture size
C.Y.Chang	C.S.Chang	W.W.Wang	7H2(4*6.5)F 7H00LB6

TEMWELL CORPORATION

Performance-TD67433B-140M

20010029DC

CH1 S11 LOG MAG REF 0.000 dB 5.000 dB/
CH2 S21 LOG MAG REF 0.000 dB 10.000 dB/



CENTER 140MHz

[10.00 dBm]

SPAN 200MHz

CH1 MARKER LIST

Marker	Frequency (MHz)	Magnitude (dB)
1	140.000	-13.428
2	157.833	-4.028
3	121.833	-3.208
4	90.000	-0.280
5	190.000	-0.505

CH2 MARKER LIST

Marker	Frequency (MHz)	Magnitude (dB)
1	140.000	-1.001
2	157.833	-4.003
3	121.833	-4.052
4	90.000	-18.389
5	190.000	-19.822