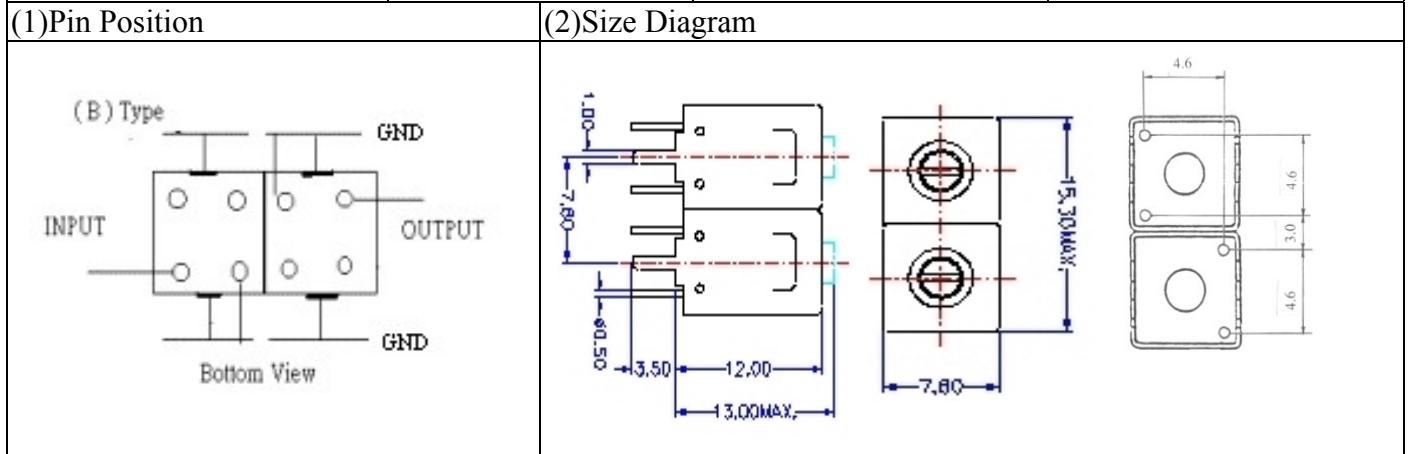


VHF UHF Helical Filter Specification Sheet

Customer Name		Temwell's Part No.	TD67432B-140M
Approval No. /dated	20010028APR	Temwell's Print Name	126~145M
Work Instruction No.	20010028DC	Date	Jul.28.2006



(3)Electric Character

Item	Specify	Performance	
Center Freq.(Fo) +/- 0.5 %	140 MHz	140 MHz	
Tunable Range	140±2 MHz	140±2 MHz	
Insertion Loss	Typ. 2.5 dB	1.34 dB	
-3 dB Bandwidth	Typ. 17 MHz	21.4 MHz	
Sensitivity (Attenuation)	Fo - 50 MHz	Typ. 17 dBc	20 dBc
	Fo + 50 MHz	Typ. 25 dBc	28 dBc
	Fo - ()MHz	Typ. dBc	dBc
	Fo +()MHz	Typ. dBc	dBc
Return Loss	Min. 12 dB	19.0 dB	
Ripple	< 1 dB	dB	
Impedance	In / Out : 50 Ω	In / Out : 50 Ω	

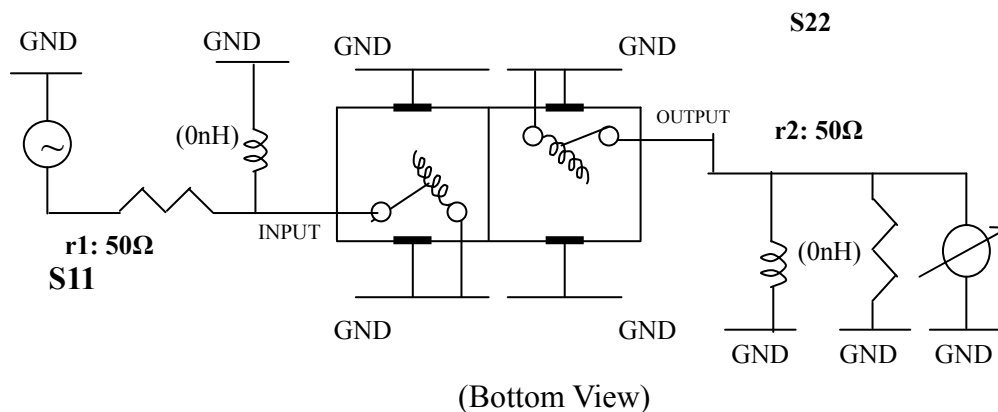
(4)Torque for Tuning Screw > 100gf · cm

(5)Temperature Condition:

Operating Temperature	-0°C ~ +60°C
Storage Temperature	-20°C ~ +70°C

(6)Input Power > 1Watt

(7)Measuring Circuit: ※Easy to match Impedance 50Ω by parallel with about 0nH / 0nH

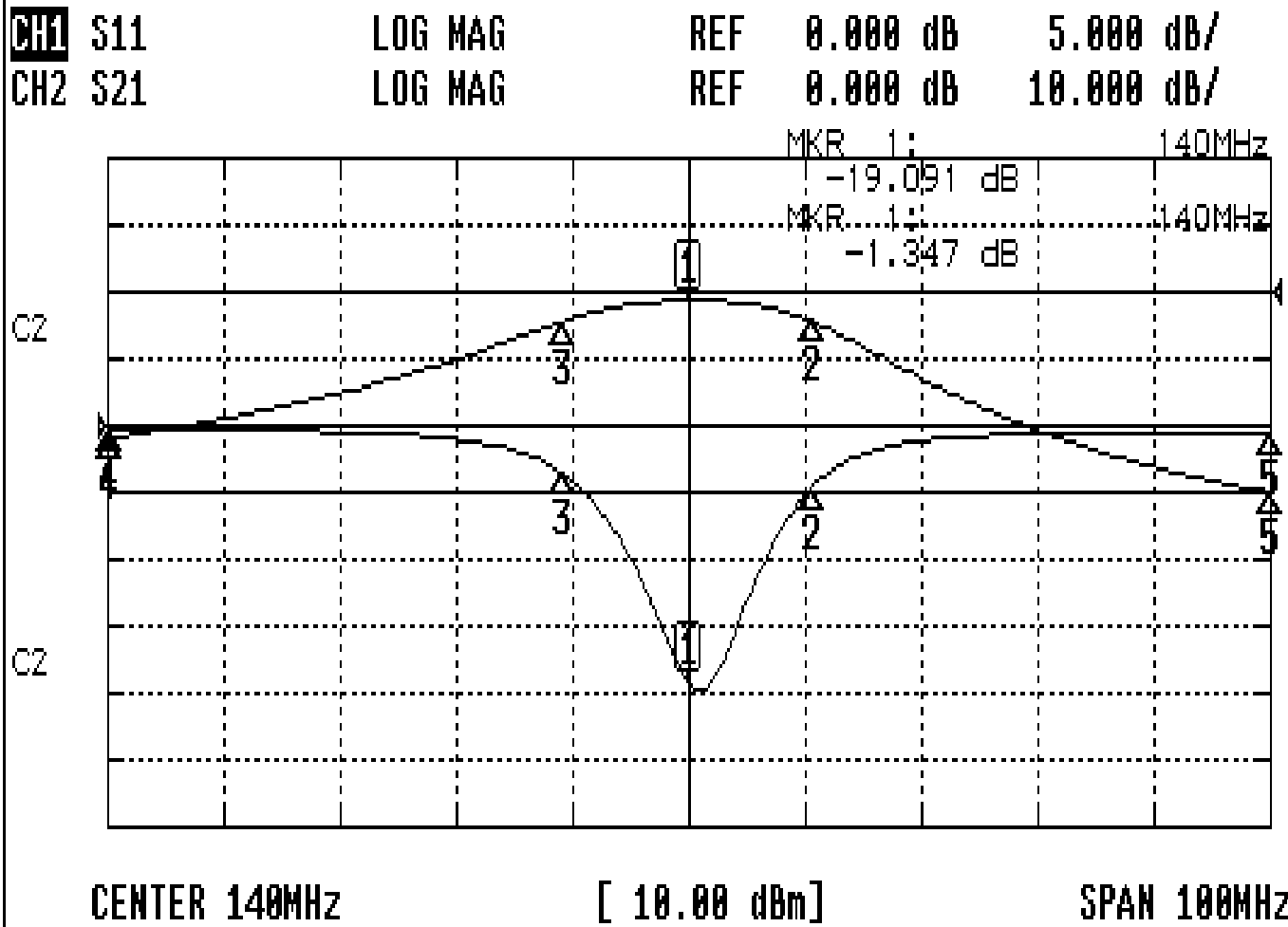


Approval	Supervisor	Designer	Aperture size
C.Y.Chang	C.S.Chang	W.W.Wang	7H2(4*5.5)F 7H00LB6

TEMWELL CORPORATION

Performance-TD67432B-140M

20010028DC



CH1 MARKER LIST

Marker	Frequency (MHz)	Magnitude (dB)
1	140.000	-19.091
2	150.583	-4.615
3	129.166	-3.562
4	90.000	-0.262
5	190.000	-0.447

CH2 MARKER LIST

Marker	Frequency (MHz)	Magnitude (dB)
1	140.000	-1.347
2	150.583	-4.340
3	129.166	-4.390
4	90.000	-21.935
5	190.000	-29.982