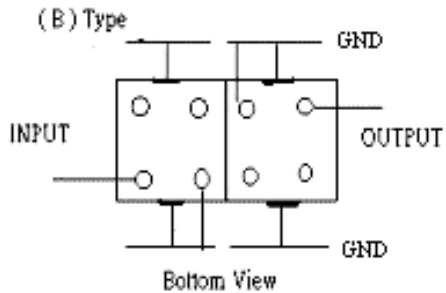
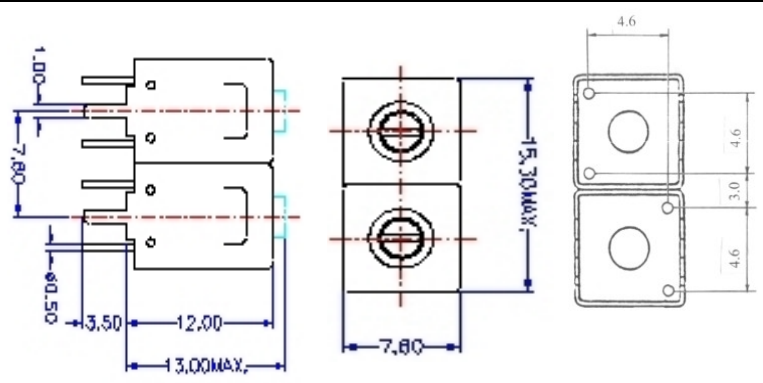


VHF UHF Helical Filter Specification Sheet

Customer Name		Temwell's Part No.	TD67430B-155M
Approval No. /dated	20010024DC	Acceptable Specify Fo. Range	146~165MHz
Work Instruction No.	20010024DC	Date	

<p>(1) Pin Position</p>  <p style="text-align: center;">Bottom View</p>	<p>(2) Size Diagram</p> 
--	--

(3) Electric Character

Item	Specify	Performance
Center Freq.(Fo) +/- 0.5 %	155 MHz	155 MHz
Tunable Range	155±2 MHz	155±2 MHz
Insertion Loss	Typ. 1.5 dB	0.80 dB
-3 dB Bandwidth	Typ. 38 MHz	39 MHz
Sensitivity (Attenuation)	Fo -50 MHz	Typ. 25 dBc
	Fo +50 MHz	Typ. 21 dBc
	Fo - ()MHz	Typ. dBc
	Fo +()MHz	Typ. dBc
Return Loss	Min. 12 dB	22 dB
Ripple	< 1 dB	1 dB
Impedance	In / Out : 50 Ω	In / Out : 50 Ω

(4) Torque for Tuning Screw > 100gf • cm

(5) Temperature Condition:

Operating Temperature	0°C ~ +60°C
Storage Temperature	-20°C ~ +70°C

(6) Input Power > 1Watt

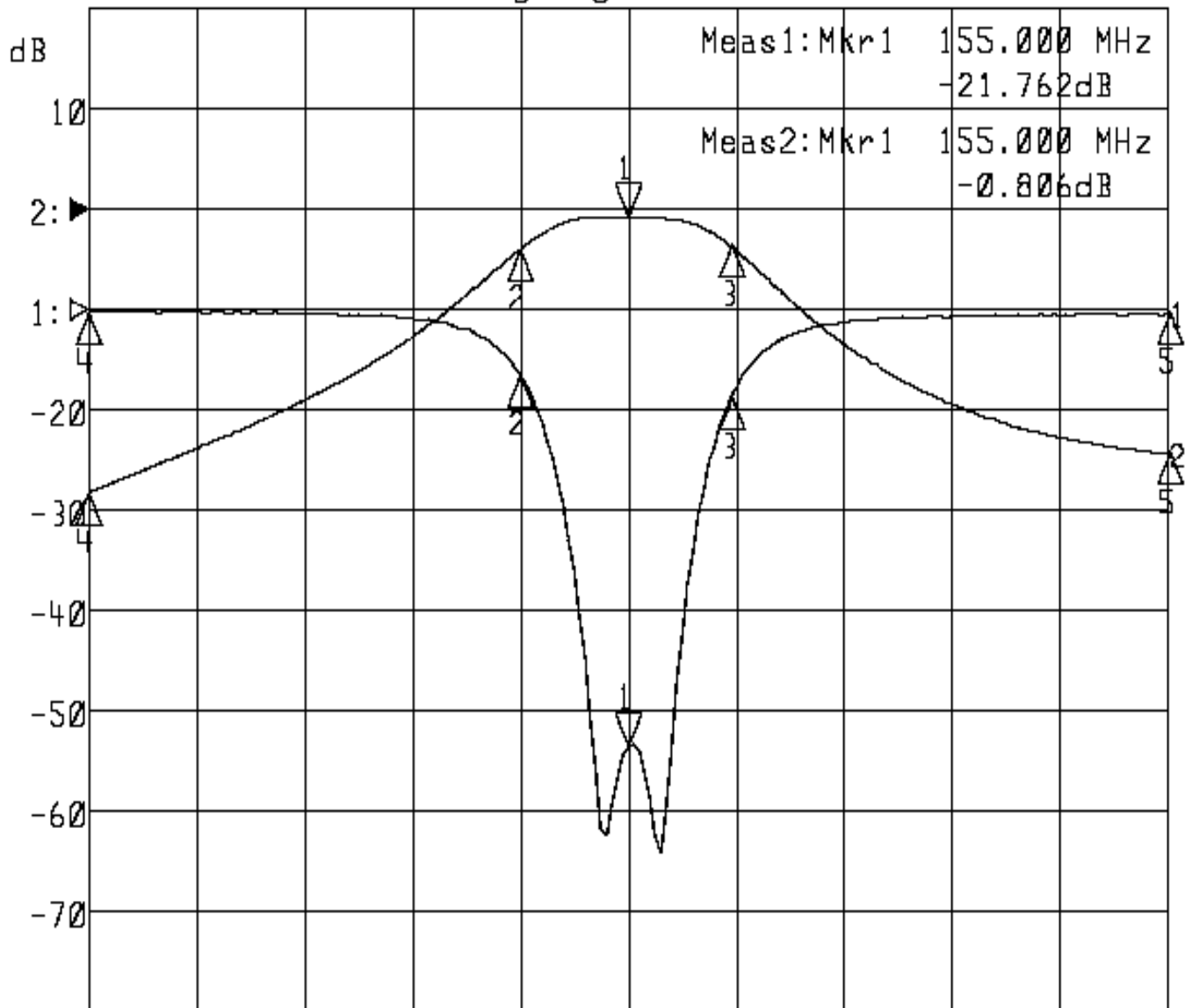
Approval	Supervisor	Designer	Aperture size
C.Y.Chang	C.S.Chang	C.S.Chang	7H2S(4*6.5)F 7H000LB6

TEMWELL CORPORATION

Performance-TD67430B-155M

20010024DC

▷1:S11 Refl Port1 Log Mag 5.0 dB/ Ref 0.00 dB C
▶2:S21 Fwd Trans Log Mag 10.0 dB/ Ref 0.00 dB C



Center 155.000 MHz

Span 200.000 MHz

1:Mkr (MHz)	dB	2:Mkr (MHz)	dB
1> 155.0000	-21.762	1> 155.0000	-0.806
2: 135.0667	-3.259	2: 135.0667	-3.943
3: 174.0000	-4.401	3: 174.0000	-3.620
4: 55.0000	-0.138	4: 55.0000	-28.282
5: 255.0000	-0.159	5: 255.0000	-24.309