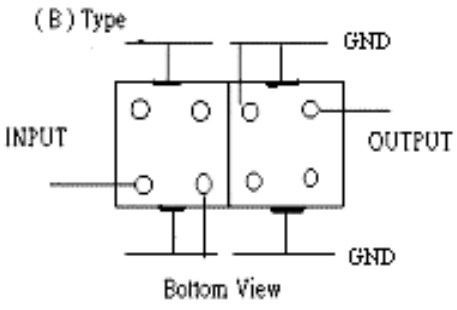
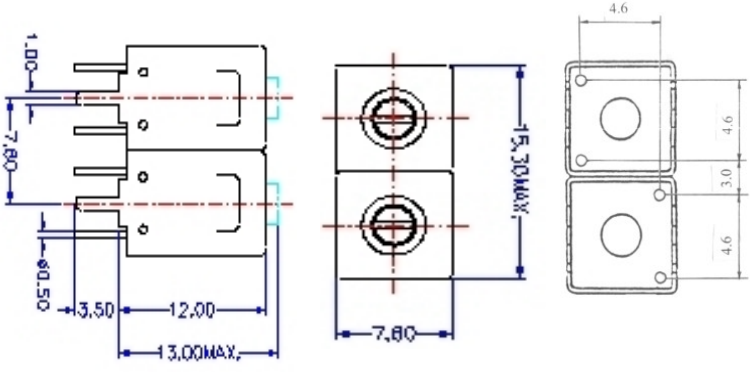


# VHF UHF Helical Filter Specification Sheet

Customer Name		Temwell's Part No.	TD67422B-435M
Approval No. /dated	2009079DC	Acceptable Specify Fo. Range	401~455MHz
Work Instruction No.	2009079DC	Date	Sep.26.2000

<p>(1)Pin Position</p>  <p style="text-align: center;">Bottom View</p>	<p>(2)Size Diagram</p> 
---	---

(3)Electric Character

Item	Specify	Performance
Center Freq.(Fo ) +/- 0.5 %	435 MHz	435 MHz
Tunable Range	435±3 MHz	435±3 MHz
Insertion Loss	Typ. 1.5 dB	0.38 dB
-3 dB Bandwidth	Typ. 72 MHz	76.3 MHz
Sensitivity (Attenuation)	Fo - 100 MHz	Typ. 11 dBc
	Fo + 100 MHz	Typ. 11 dBc
	Fo - ( )MHz	Typ. dBc
	Fo +( )MHz	Typ. dBc
Return Loss	Min. 12 dB	14.8 dB
Ripple	< 1 dB	1 dB
Impedance	In / Out : 50 Ω	In / Out : 50 Ω

(4)Torque for Tuning Screw > 100gf • cm

(5)Temperature Condition:

Operating Temperature	0°C ~ +60°C
Storage Temperature	-20°C ~ +70°C

(6)Input Power > 1Watt

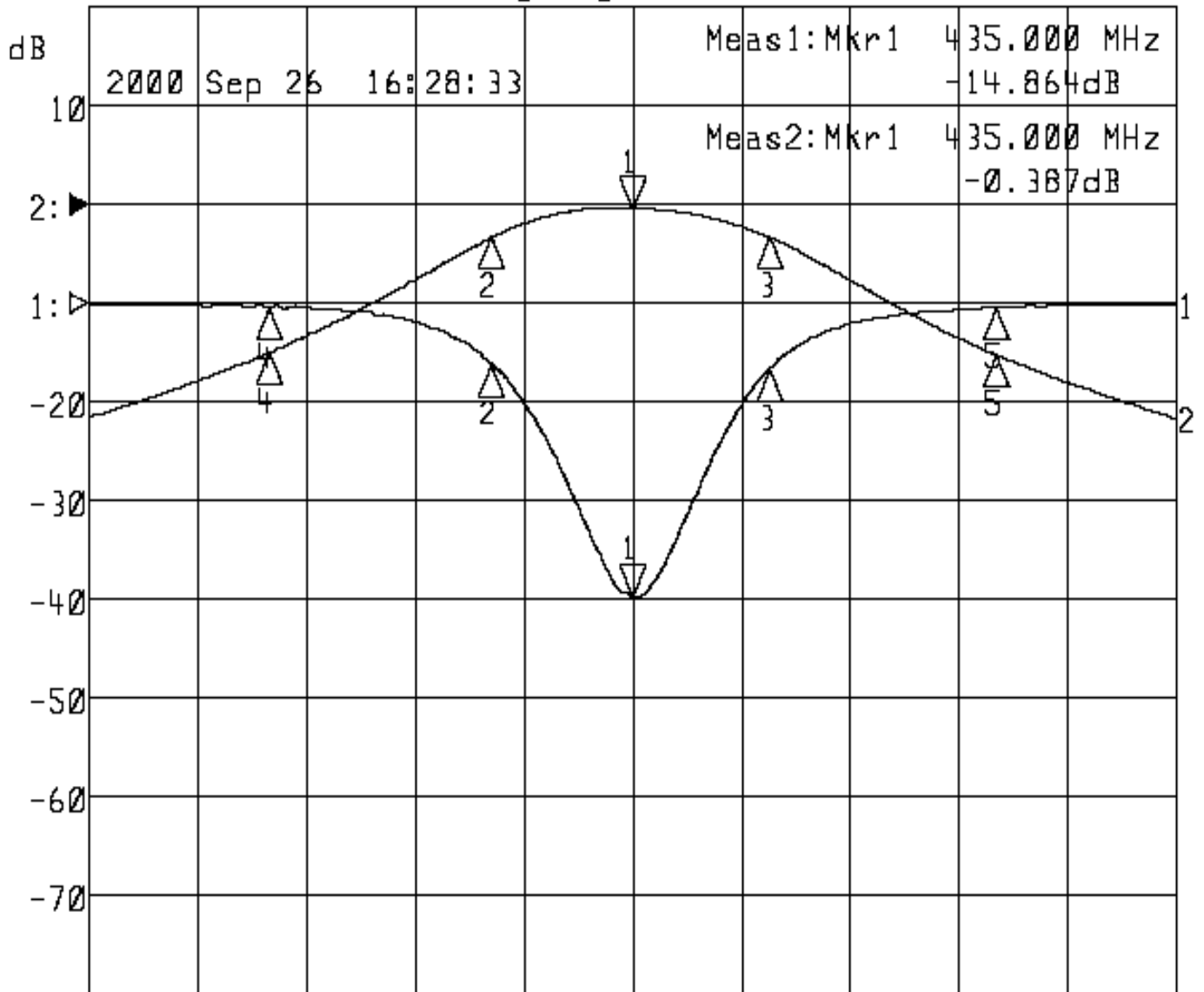
Approval	Supervisor	Designer	Aperture size
C.Y.Chang	C.S.Chang	C.S.Chang	7H2S(4*6.5) 7H046LB6

TEMWELL CORPORATION

# Performance-TD67422B-435M

## 2009079DC

▶1: S11 Refl Port1    Log Mag    5.0 dB/ Ref    0.00 dB    C  
 ▶2: S21 Fwd Trans    Log Mag    10.0 dB/ Ref    0.00 dB    C



Center 435.000 MHz

Span 300.000 MHz

1: Mkr (MHz)	dB	2: Mkr (MHz)	dB
1> 435.0000	-14.864	1> 435.0000	-0.387
2: 396.3000	-3.093	2: 396.3000	-3.355
3: 472.6000	-3.339	3: 472.6000	-3.300
4: 335.0000	-0.206	4: 335.0000	-15.012
5: 535.0000	-0.230	5: 535.0000	-15.185