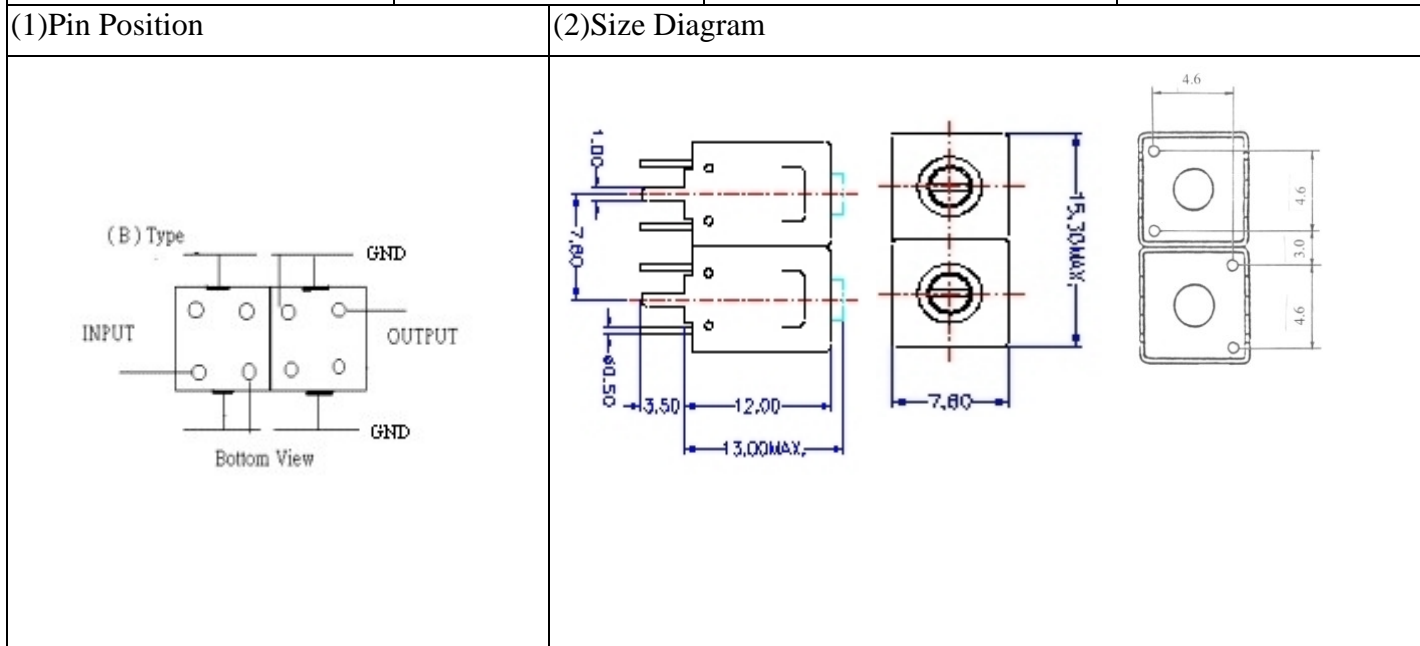


VHF UHF Helical Filter Specification Sheet

Customer Name		Temwell's Part No.	TD67418B-50M
Approval No. /dated	2009047DC	Acceptable Specify Range	46~55MHz
Work Instruction No.	2009047DC	Date	



(3) Electric Characteristic

Item	Specify	Performance
Center Freq.(Fo) +/- 0.5 %	50 MHz	50 MHz
Tunable Range	50±2 MHz	50±2 MHz
Insertion Loss	Typ. 3.5 dB	2.76 dB
-3 dB Bandwidth	Typ. 3 MHz	4 MHz
Sensitivity (Attenuation)	Fo - 10 MHz	Typ. 14 dBc
	Fo + 10 MHz	Typ. 28 dBc
	Fo - ()MHz	Typ. dBc
	Fo +()MHz	Typ. dBc
Return Loss	Min. 12 dB	32.1 dB
Ripple	< 1 dB	dB
Impedance	In / Out : 50 Ω	In / Out : 50 Ω

(4) Torque for Tuning Screw > 100gf • cm

(5) Temperature Condition:

Operating Temperature	0°C ~ +60°C
Storage Temperature	20°C ~ +70°C

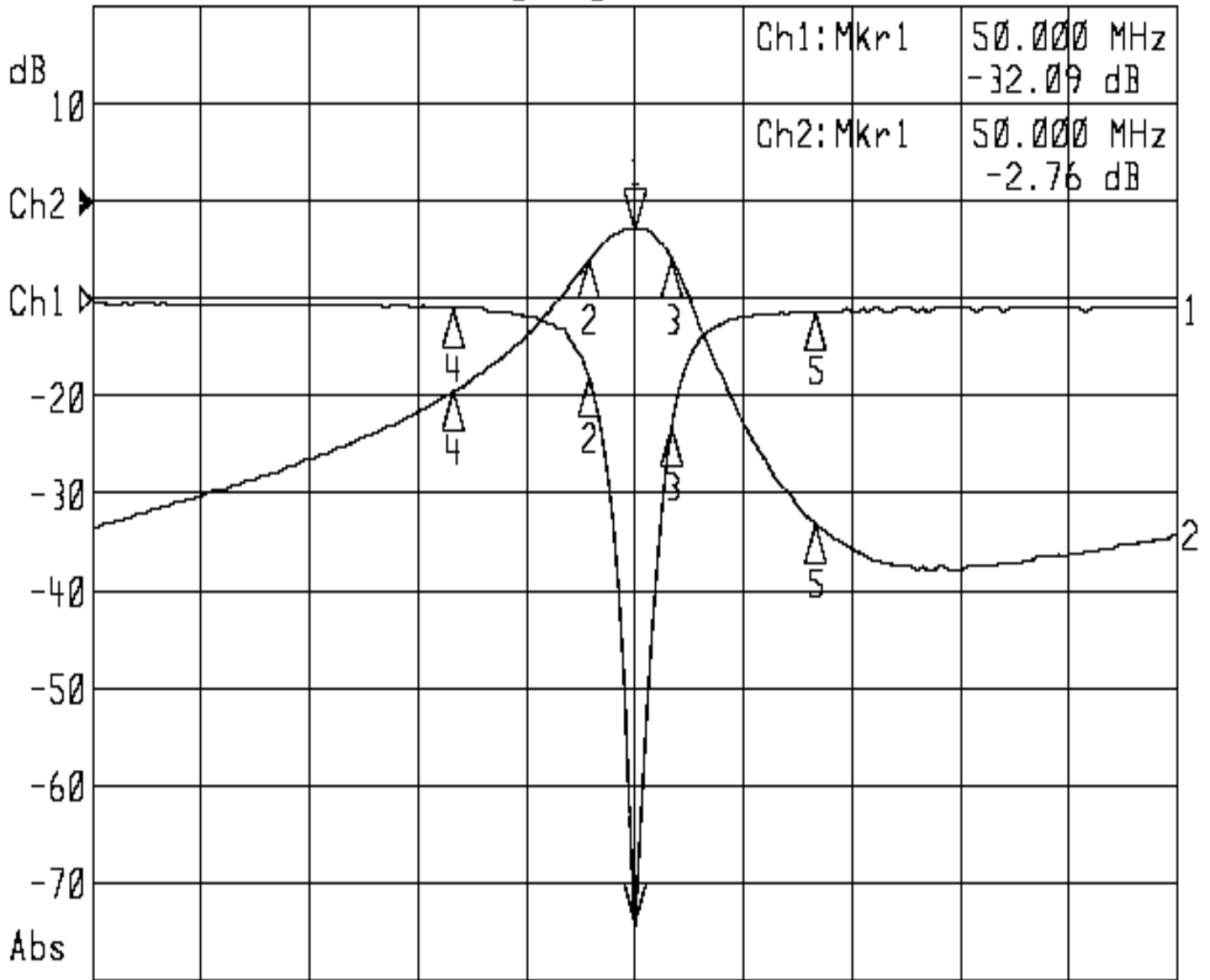
(6) Input Power > 1Watt

Approval	Supervisor	Designer	Aperture size
C.Y.Chang	C.S.Chang	C.S.Chang	7H2S(4*6.5F) 7H00LB6

Performance-TD67418B-50M

2009047DC

▶1: Reflection Log Mag 5.0 dB/ Ref 0.00 dB C
 ▶2: Transmission Log Mag 10.0 dB/ Ref 0.00 dB C



Center 50.000 MHz

Span 60.000 MHz

1: Mkr (MHz)	dB	2: Mkr (MHz)	dB
1> 50.00	-32.09	1> 50.00	-2.76
2: 47.49	-4.05	2: 47.49	-5.83
3: 52.03	-6.57	3: 52.03	-5.80
4: 40.00	-0.39	4: 40.00	-19.49
5: 60.00	-0.57	5: 60.00	-33.06