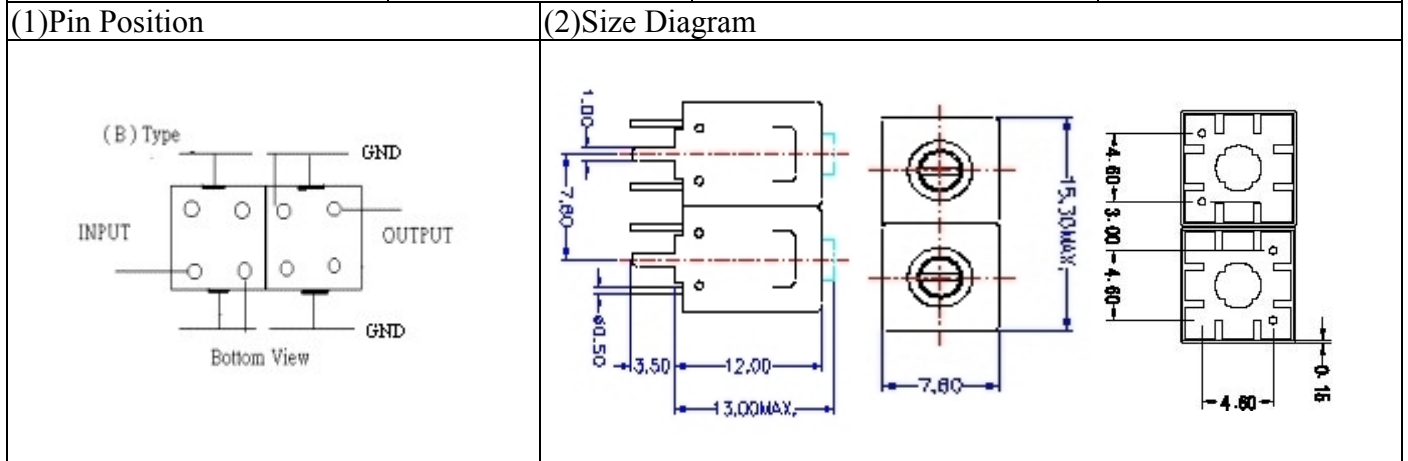


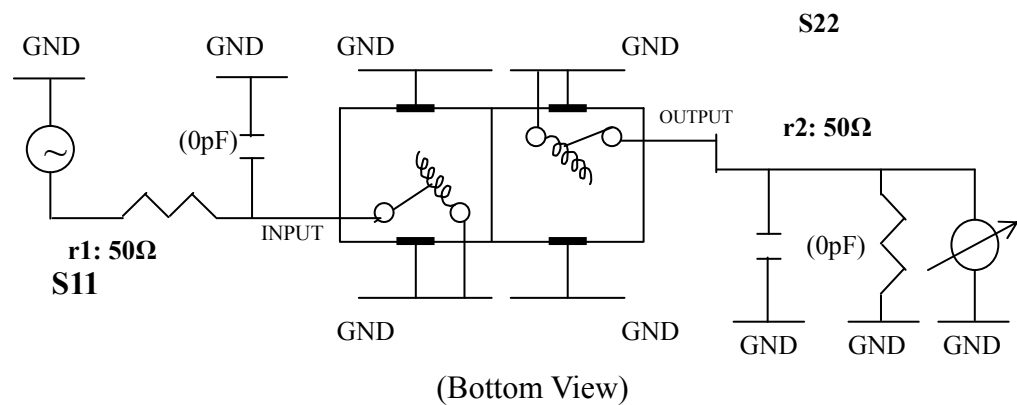
VHF UHF Helical Filter Specification Sheet

Customer Name		Temwell's Part No.	TD67416B-322M
Approval No. /dated	0901063CD	Customer's Part No.	67416B 322M
Work Instruction No.	200901063CD	Date	Feb.06.2009



(3) Electric Characteristic			
Item		Specify	Performance
Center Freq.(Fo) +/- 0.5 %		322 MHz	322 MHz
Tunable Range:		322±3 MHz	322±3 MHz
Insertion Loss		Typ. 2.0 dB	0.74 dB
-3 dB Bandwidth		Typ. 43 MHz	47.1 MHz
Sensitivity (Attenuation)	Fo - 100 MHz	Typ. 17 dBc	20 dBc
	Fo + 100 MHz	Typ. 20 dBc	23 dBc
	Fo - ()MHz	Typ. dBc	dBc
	Fo +()MHz	Typ. dBc	dBc
Return Loss		Min. 12 dB	37.4 dB
Ripple		< 1 dB	dB
Impedance		In / Out : 50 Ω	In / Out : 50 Ω
(4) Torque for Tuning Screw		> 100gf · cm	
(5) Temperature Condition:			
Operating Temperature		0°C ~ +60°C	
Storage Temperature		-20°C ~ +70°C	
(6) Input Power		> 1 Watt	

(7) Measuring Circuit: ※Easy to match Impedance S11/S22 50Ω by parallel with about (0) pF.



Approval	Supervisor	Designer	Aperture size
C.Y.Chang	C.S.Chang	C.S.Chang	7H2(4*6.5F)(6.61) (7H046RB6.5)

TEMWELL CORPORATION

Performance-TD67416B-322M

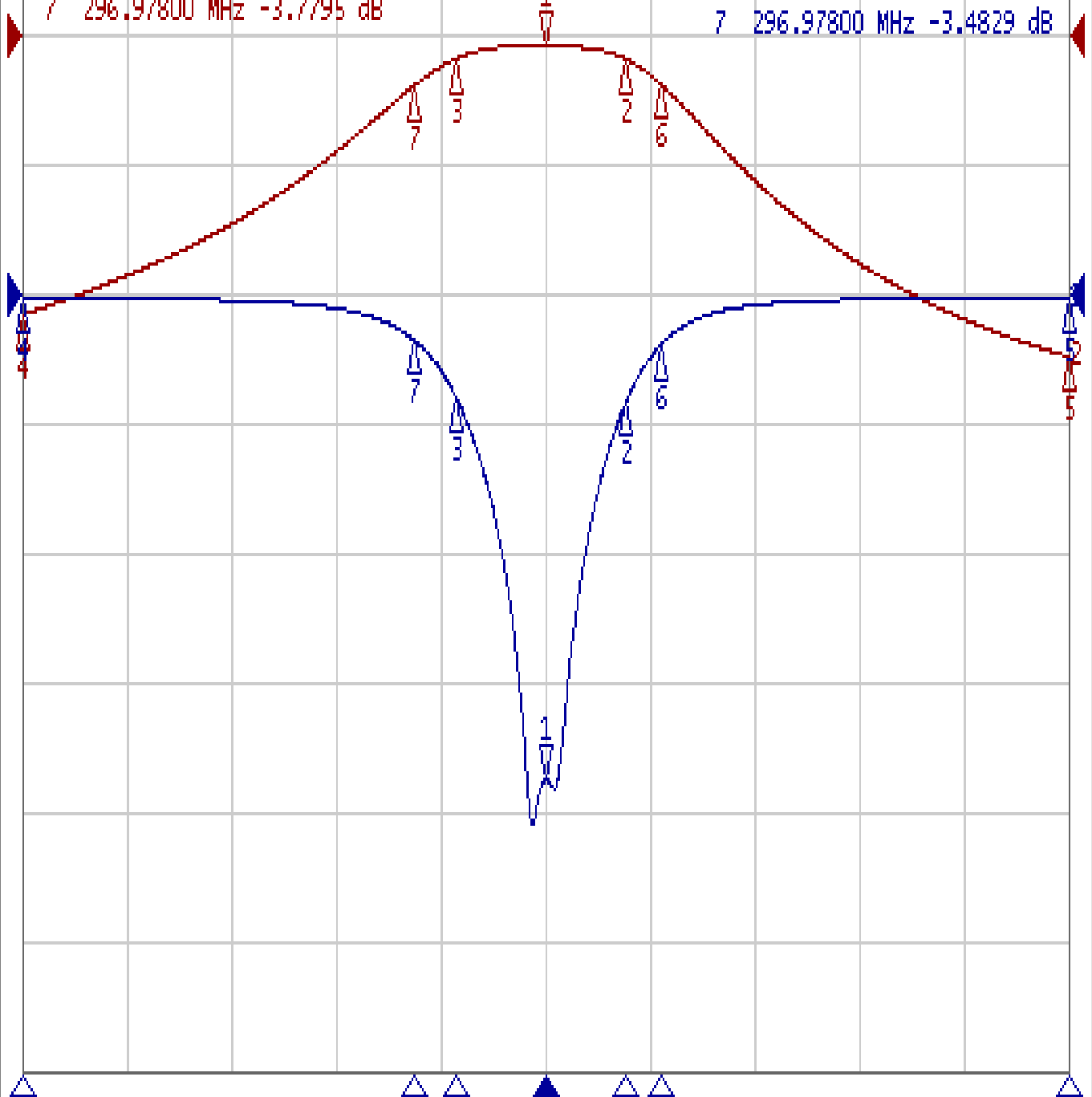
200901063CD

▶ Tr1 S11 Log Mag 10.00dB/ Ref 0.000dB [F3]

Tr2 S21 Log Mag 10.00dB/ Ref 0.000dB [F3]

1	322.00000 MHz	-0.7407 dB
2	337.50338 MHz	-1.7591 dB
3	304.88300 MHz	-1.7145 dB
4	222.00000 MHz	-21.518 dB
5	422.00000 MHz	-24.731 dB
6	344.06850 MHz	-3.6875 dB
7	296.97800 MHz	-3.7795 dB

>1	322.00000 MHz	-37.490 dB
2	337.50338 MHz	-8.1880 dB
3	304.88300 MHz	-7.8206 dB
4	222.00000 MHz	-0.2235 dB
5	422.00000 MHz	-0.2058 dB
6	344.06850 MHz	-3.8455 dB
7	296.97800 MHz	-3.4829 dB



1 Center 322 MHz

IFBW 10 kHz

Span 200 MHz

C?