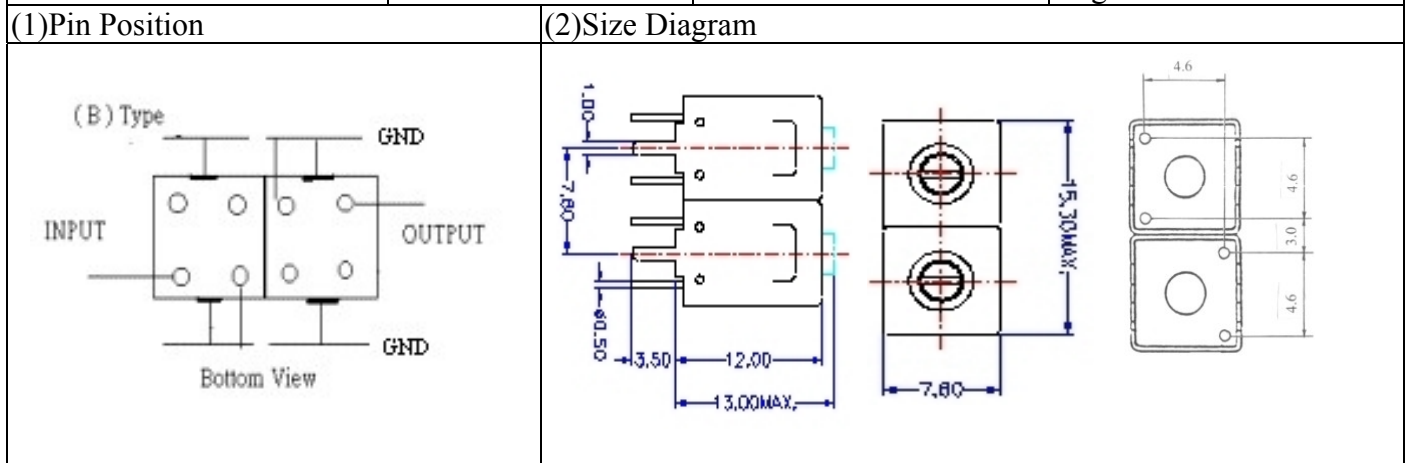


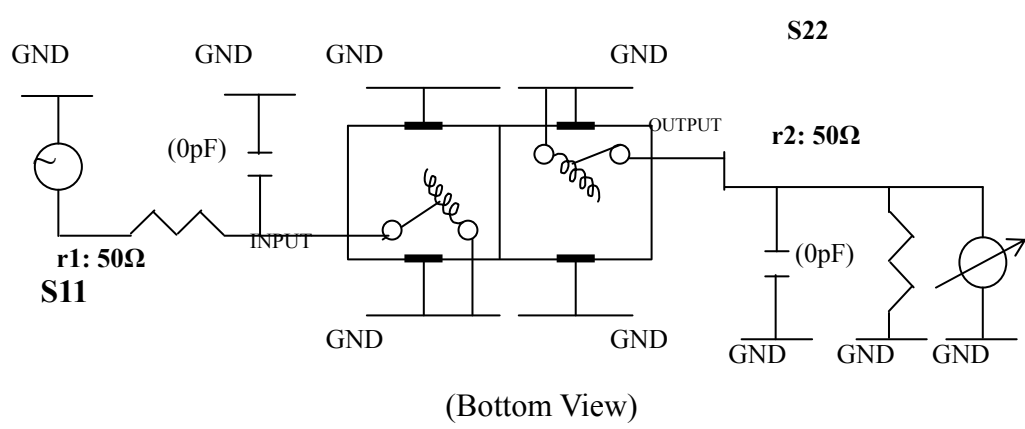
VHF UHF Helical Filter Specification Sheet

Customer Name		Temwell's Part No.	TD67411B-485M
Approval No. /dated	2008174APR	Acceptable Specify Fo Range	456~515 MHZ
Work Instruction No.	2008174DC	Date	Aug.23.2006



(3) Electric Character			
Item	Specify	Performance	
Center Freq.(Fo) +/- 0.5 %	485 MHz	485 MHz	
Tunable Range	485±3 MHz	485±3 MHz	
Insertion Loss	Typ. 2.0 dB	0.54 dB	
-3 dB Bandwidth	Typ. 60 MHz	64.8 MHz	
Sensitivity (Attenuation)	Fo - 150 MHz	Typ. 21 dBc	24 dBc
	Fo + 150 MHz	Typ. 26 dBc	29 dBc
	Fo - ()MHz	Typ. dBc	dBc
	Fo +()MHz	Typ. dBc	dBc
Return Loss	Min. 12 dB	22.4 dB	
Ripple	< 1 dB	dB	
Impedance	In / Out : 50 Ω	In / Out : 50 Ω	
(4) Torque for Tuning Screw	> 100gf · cm		
(5) Temperature Condition:			
Operating Temperature	0°C ~ +60°C		
Storage Temperature	-20°C ~ +70°C		
(6) Input Power	> 1Watt		

(7) Measuring Circuit: ※Easy to match Impedance 50Ω by parallel with about (0) pF.

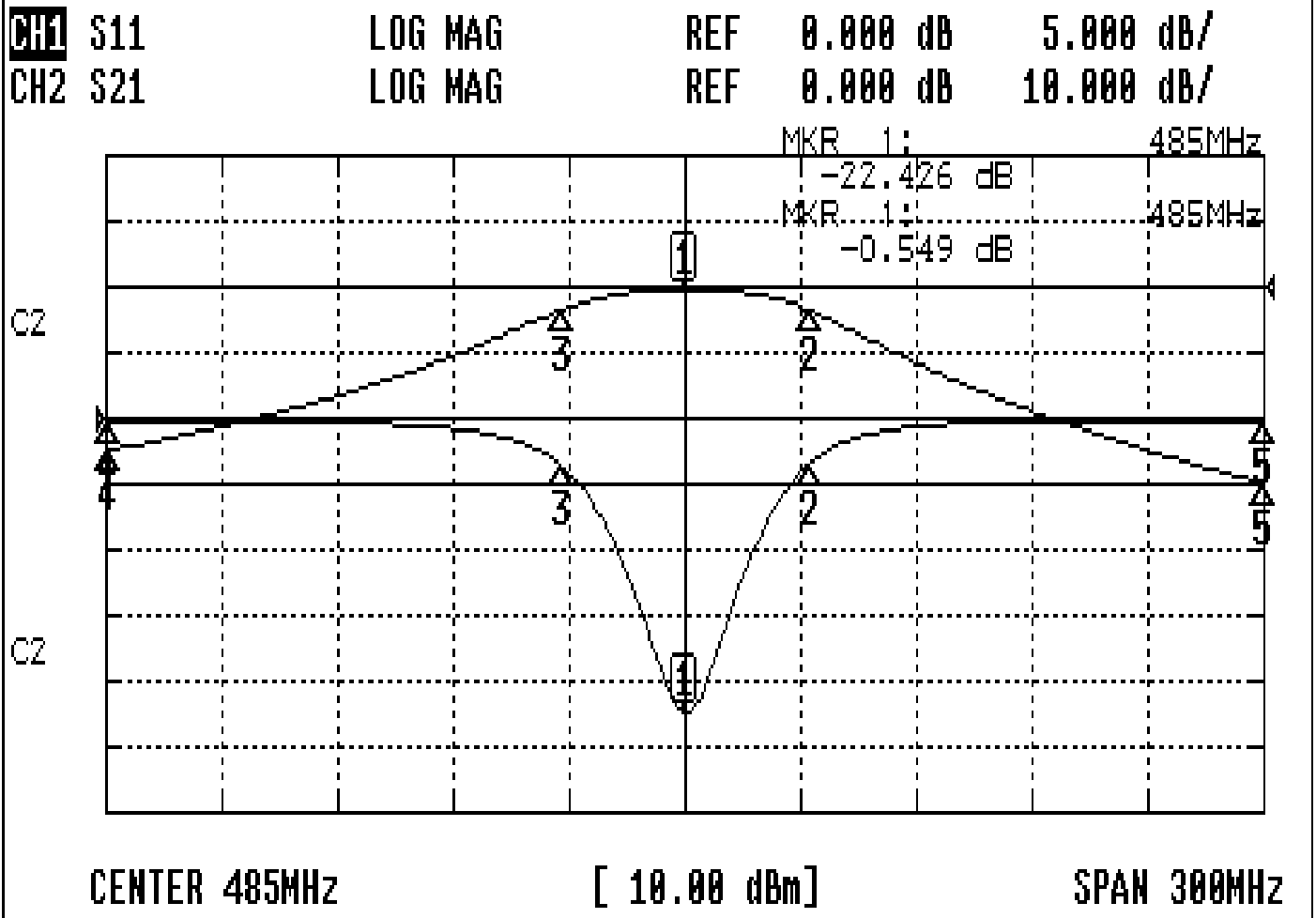


Approval	Supervisor	Designer	Aperture size
C.Y.Chang	C.S.Chang	W.W.Wang	7H2(4*7.5)F 7H046LB5

TEMWELL CORPORATION

Performance-TD67411B-485M

2008174DC



CH1 MARKER LIST

1:	485.000MHz	-22.426 dB
2:	517.500MHz	-13.392 dB
3:	452.750MHz	-10.549 dB
4:	335.000MHz	-0.185 dB
5:	635.000MHz	-0.234 dB

CH2 MARKER LIST

1:	485.000MHz	-0.549 dB
2:	517.500MHz	-3.563 dB
3:	452.750MHz	-3.539 dB
4:	335.000MHz	-24.922 dB
5:	635.000MHz	-29.754 dB