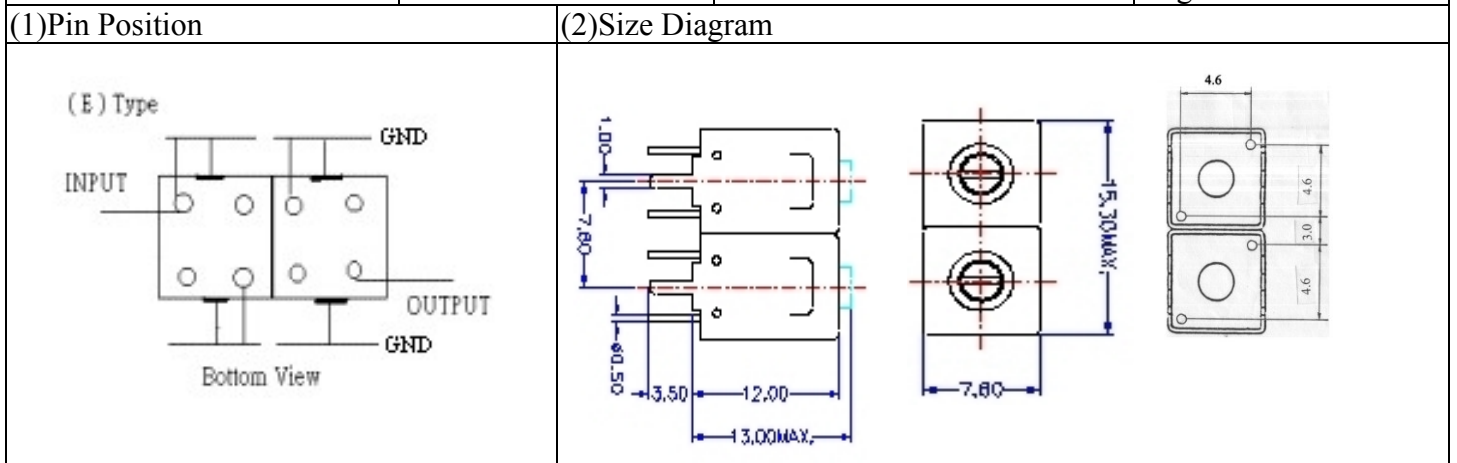


VHF UHF Helical Filter Specification Sheet

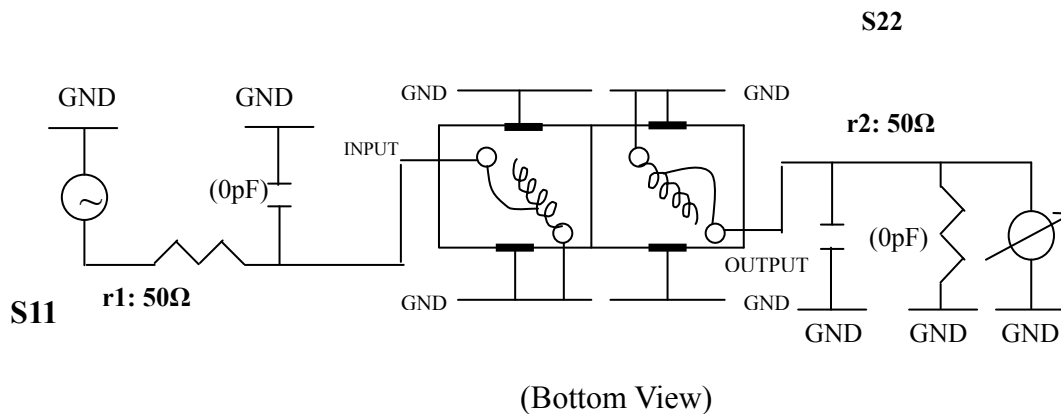
Customer Name		Temwell's Part No.	TD6740E4-480M
Approval No. /dated	9912031APR	Acceptable Specify Fo Range	456~515 MHz
Work Instruction No.	9912031D	Date	Aug.0212006



(3) Electric Character			
Item		Specify	Performance
Center Freq.(Fo) +/- 0.5 %		480 MHz	480 MHz
Tunable Range		480±5 MHz	480±5 MHz
Insertion Loss		Typ. 2.0 dB	1.29 dB
-3 dB Bandwidth		Typ. 20 MHz	23.2 MHz
Sensitivity (Attenuation)	Fo - 80 MHz	Typ. 20 dBc	23 dBc
	Fo + 80 MHz	Typ. 35 dBc	38 dBc
	Fo - ()MHz	Typ. dBc	dBc
	Fo +()MHz	Typ. dBc	dBc
Return Loss		Min. 12 dB	32.6 dB
Ripple		< 1 dB	dB
Impedance		In / Out : 50 Ω	In / Out : 50 Ω
(4) Torque for Tuning Screw		> 100gf · cm	

(5) Temperature Condition:	
Operating Temperature	0°C ~ +60°C
Storage Temperature	-20°C ~ +70°C
(6) Input Power	> 1Watt

(7) Measuring Circuit: ※Easy to match Impedance 50Ω/ by parallel with about (0) pF.

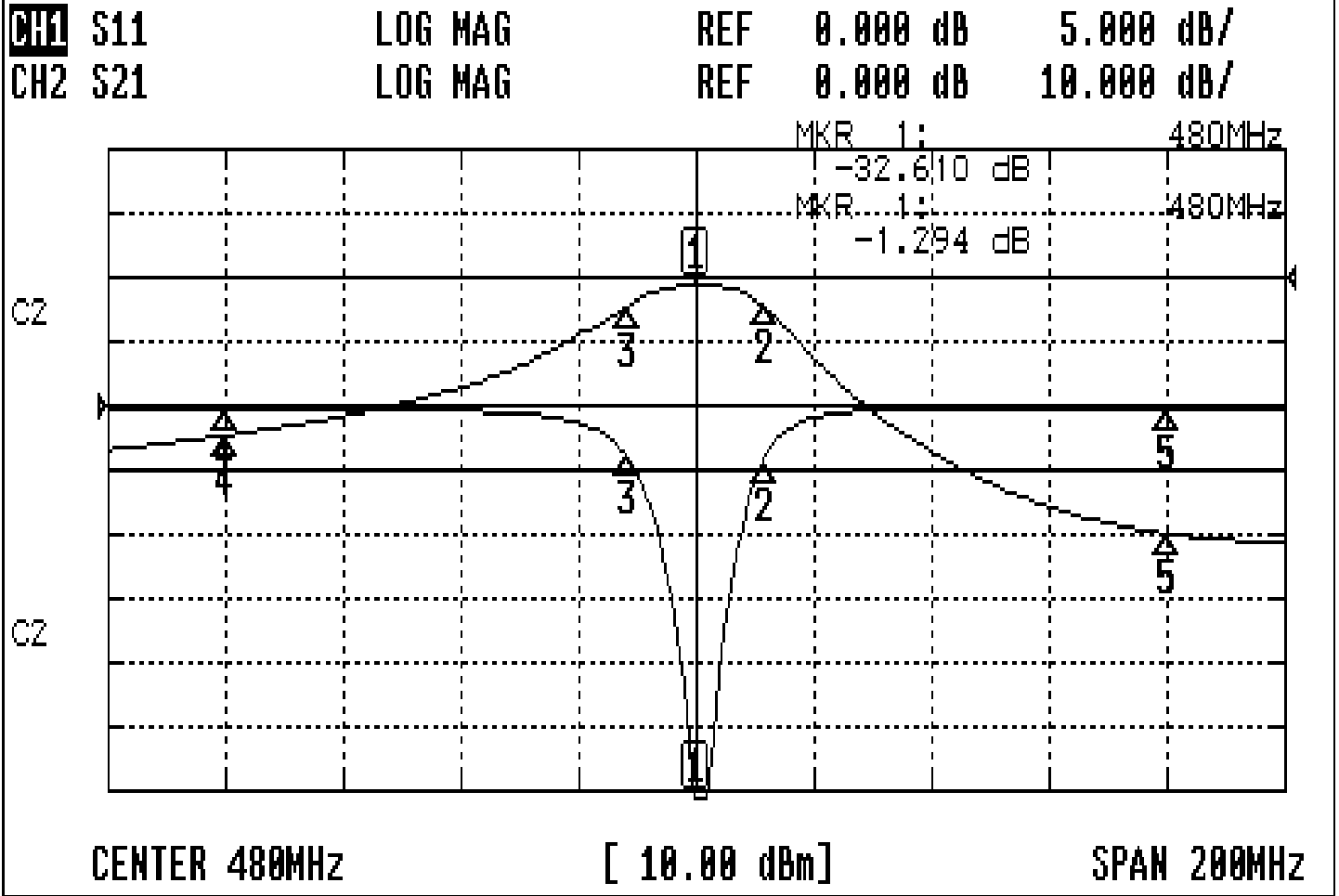


Approval	Supervisor	Designer	Aperture size
C.Y.Chang	C.S.Chang	W.W.Wang	7H2(4*6.5)F 7H046LB4 聚 3

TEMWELL CORPORATION

Performance-TD6740E4-480M

9912031D



CH1 MARKER LIST

1	480.000MHz	-32.653	dB	00000000
2	491.500MHz	-4.267	dB	00000000
3	468.333MHz	-3.979	dB	00000000
4	400.000MHz	-0.209	dB	00000000
5	560.000MHz	-0.223	dB	00000000

CH2 MARKER LIST

1	480.000MHz	-1.294	dB	00000000
2	491.500MHz	-4.341	dB	00000000
3	468.333MHz	-4.262	dB	00000000
4	400.000MHz	-24.592	dB	00000000
5	560.000MHz	-39.875	dB	00000000