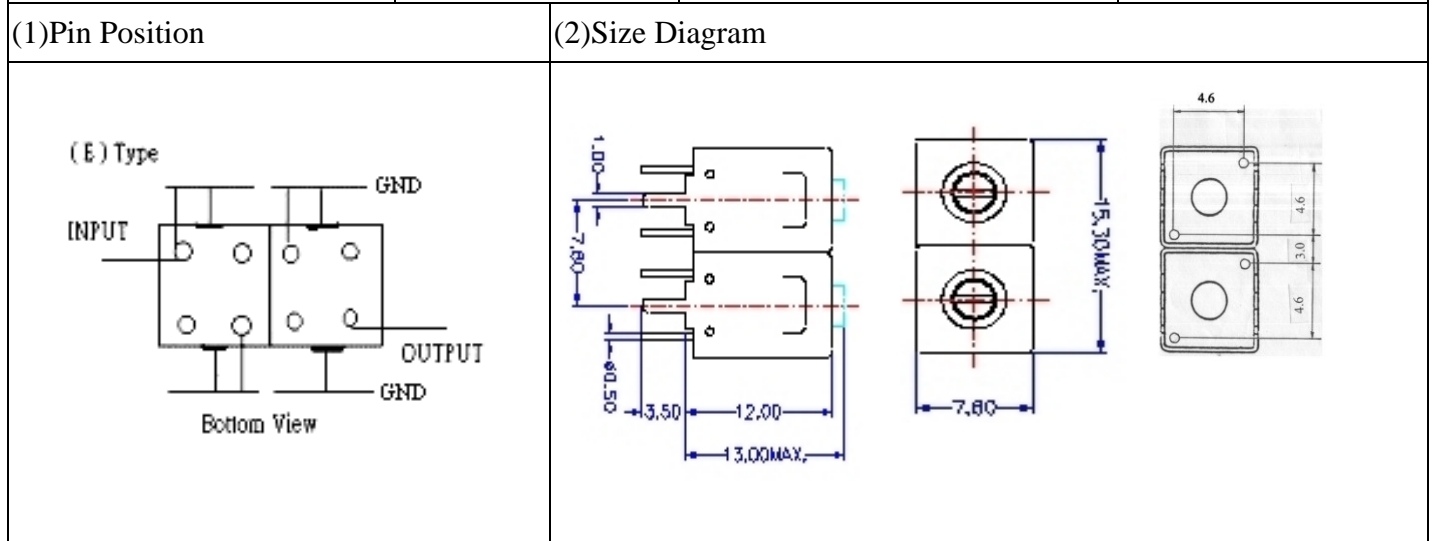


VHF UHF Helical Filter Specification Sheet

Customer Name		Temwell's Part No.	TD6740E-315M
Approval No. /dated	20210070B	Acceptable Specify Fo. Range	311~355MHz
Work Instruction No.	20210070B	Date	Oct.24.2002



(3)Electric Character			
Item	Specify	Performance	
Center Freq.(Fo) +/- 0.5 %	315 MHz	315	MHz
Tunable Range	315±4 MHz	315±4	MHz
Insertion Loss	Typ. 3.0 dB	2.06	dB
-3 dB Bandwidth	Typ. 5 MHz	7	MHz
Sensitivity (Attenuation)	Fo - 30 MHz	Typ. 19	dBc
	Fo + 30 MHz	Typ. 30	dBc
	Fo - ()MHz	Typ.	dBc
	Fo +()MHz	Typ.	dBc
Return Loss	Min. 12 dB	28.6	dB
Ripple	< 1 dB		dB
Impedance	In / Out : 50 Ω	In / Out : 50 Ω	
(4)Torque for Tuning Screw			
		> 100gf · cm	

(5)Temperature Condition:	
Operating Temperature	0°C ~ +60°C
Storage Temperature	-20°C ~ +70°C

(6)Input Power	> 1Watt
----------------	---------

Approval	Supervisor	Designer	Aperture size
C.Y. Chang	C.S. Chang	C.S. Chang	7H2S(4*5.5) 7H046LB4 聚 3

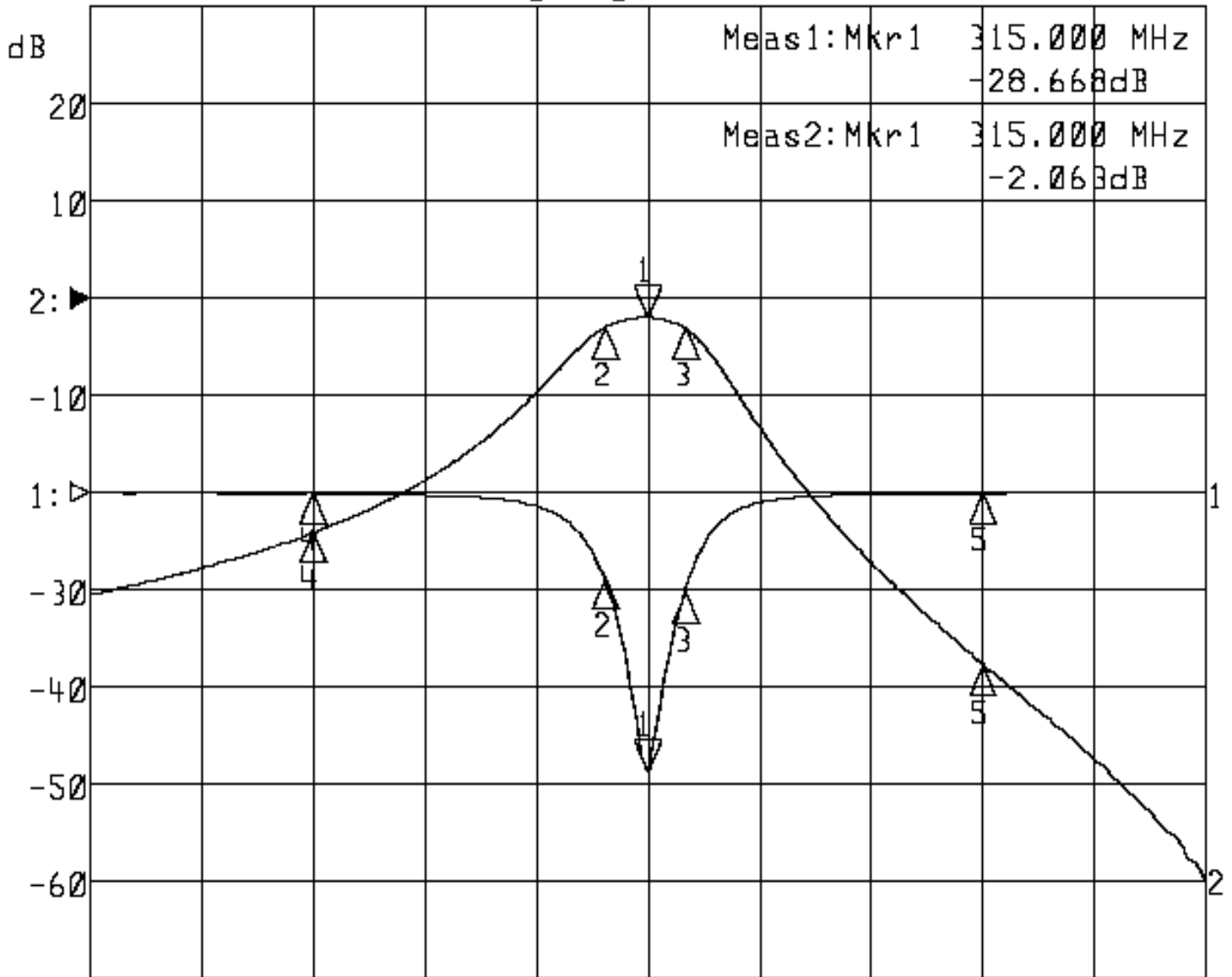
TEMWELL CORPORATION

Performance-TD6740E-315M

20210070B

▶1:S11 Refl Port1 Log Mag 10.0 dB/ Ref 0.00 dB C

▶2:S21 Fwd Trans Log Mag 10.0 dB/ Ref 0.00 dB C



Center 315.000 MHz

Span 100.000 MHz

1: Mkr (MHz)	dB	2: Mkr (MHz)	dB
1 > 315.0000	-28.668	1 > 315.0000	-2.063
2: 311.1333	-8.849	2: 311.1333	-3.047
3: 318.3000	-10.272	3: 318.3000	-3.059
4: 285.0000	-0.117	4: 285.0000	-24.085
5: 345.0000	-0.116	5: 345.0000	-37.633