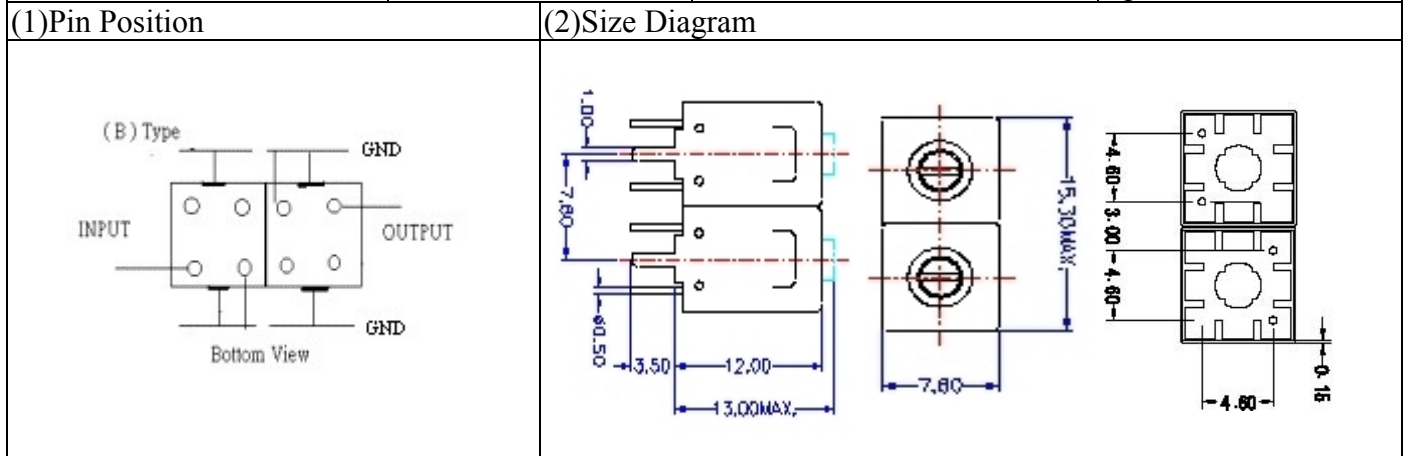


# VHF UHF Helical Filter Specification Sheet

Customer Name		Temwell's Part No.	TD6740B-319.5M
Approval No. /dated	0904136CD	Customer's Part No.	6740B 319.5MM
Work Instruction No.	200904136CD	Date	Apr.20.2009



### (3)Electric Charasteric

Item	Specify	Performance
Center Freq.(Fo) +/- 0.5 %	319.5 MHz	319.5 MHz
Tunable Range:	319.5±4 MHz	319.5±4 MHz
Insertion Loss	Typ. 4.0 dB	3.07 dB
-3 dB Bandwidth	Typ. 5 MHz	7.4 MHz
Sensitivity (Attenuation)	Fo - 30 MHz	Typ. 45 dBc
	Fo + 30 MHz	Typ. 25 dBc
	Fo - ( )MHz	Typ. dBc
	Fo +( )MHz	Typ. dBc
Return Loss	Min. 12 dB	22.4 dB
Ripple	< 1 dB	
Impedance	In / Out : 50 Ω	In / Out : 50 Ω

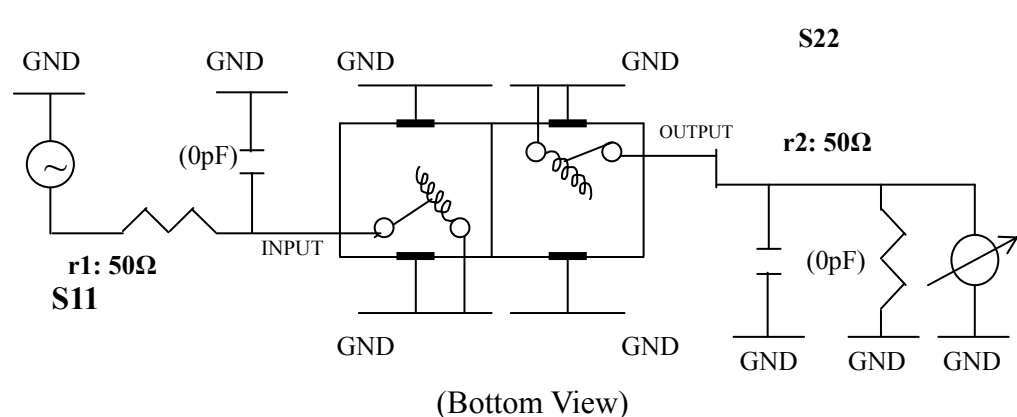
(4)Torque for Tuning Screw > 100gf · cm

(5)Temperature Condition:

Operating Temperature	0°C ~ +60°C
Storage Temperature	-20°C ~ +70°C

(6)Input Power > 1Watt

(7)Measuring Circuit: ※Easy to match Impedance S11/S22 50Ω by parallel with about ( 0 ) pF.



Approval	Supervisor	Designer	Aperture size
C.Y.Chang	C.K.Chang	C.S.Chang	7H2S(4*5.5)(5.46) (7H046RB4)

TEMWELL CORPORATION

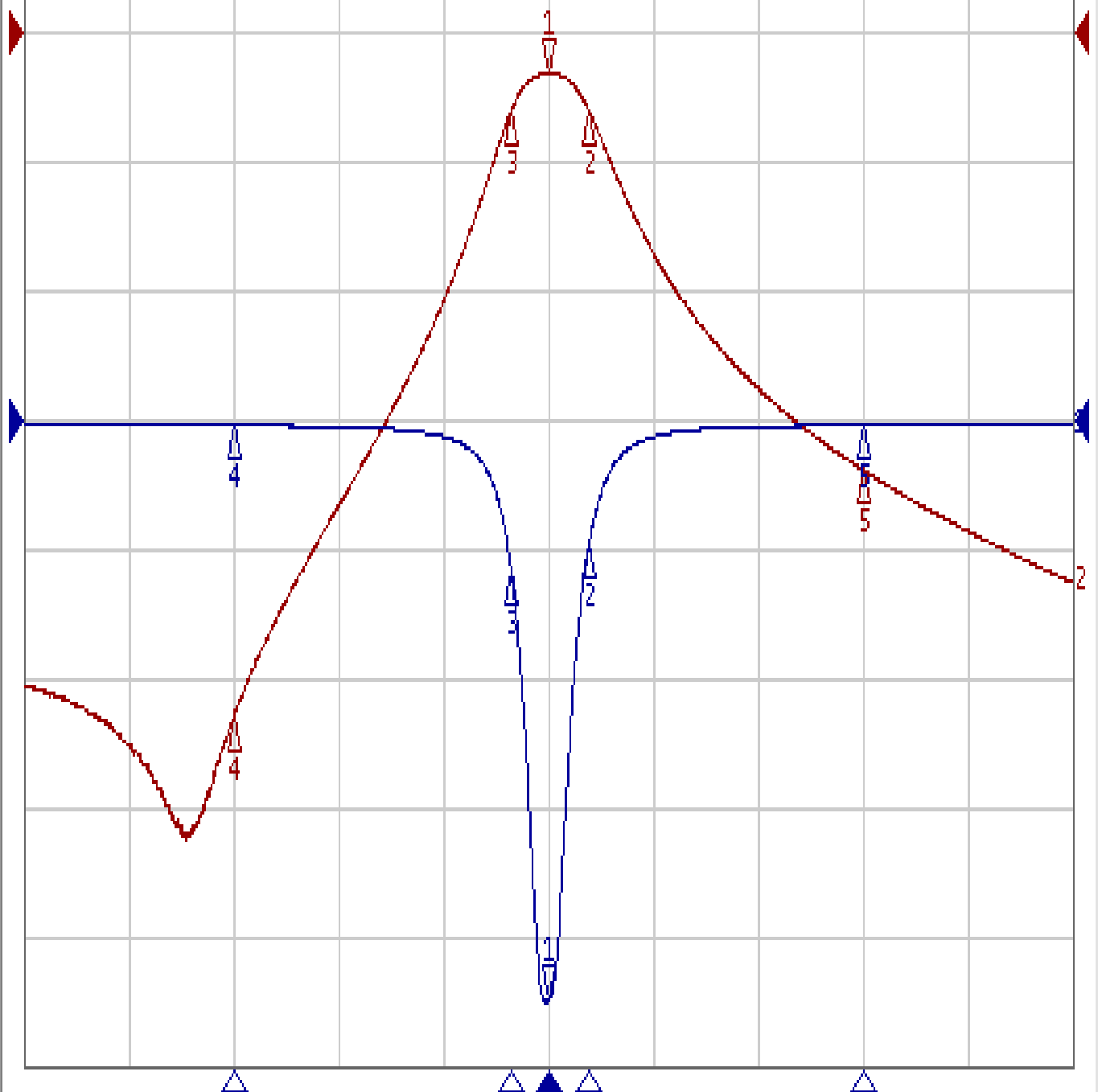
# Performance-TD6740B-319.5M

200904136CD

▶Tr1 S11 Log Mag 5.000dB/ Ref 0.000dB [F3]  
Tr2 S21 Log Mag 10.00dB/ Ref 0.000dB [F3]

1	319.50000 MHz	-3.0753 dB
2	323.39888 MHz	-6.0092 dB
3	315.95600 MHz	-6.0251 dB
4	289.50000 MHz	-53.065 dB
5	349.50000 MHz	-33.803 dB

>1	319.50000 MHz	-22.470 dB
2	323.39888 MHz	-4.7876 dB
3	315.95600 MHz	-5.7537 dB
4	289.50000 MHz	-0.1671 dB
5	349.50000 MHz	-0.1757 dB



1 Center 319.5 MHz

IFBW 10 kHz

Span 100 MHz

C? !