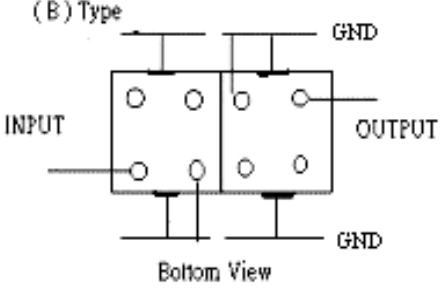
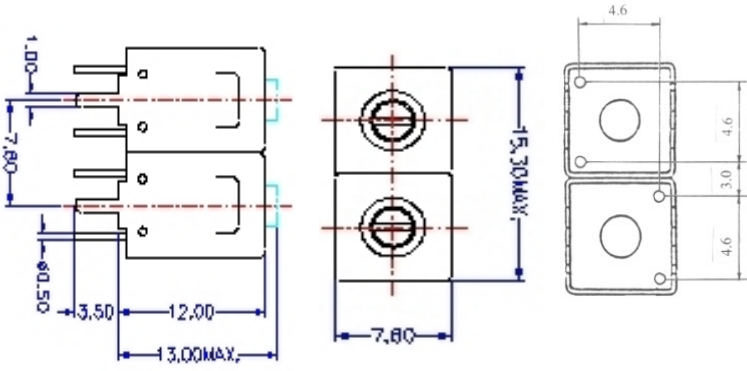


VHF UHF Helical Filter Specification Sheet

Customer Name		Temwell's Part No.	TD67408B-430.5M
Approval No. /dated	2008171DC	Acceptable Specify Fo. Range	401~455MHz
Work Instruction No.	2008171DC	Date	

(1)Pin Position	(2)Size Diagram
 <p>(B) Type INPUT OUTPUT GND GND Bottom View</p>	 <p>Dimensions: 1.00, 7.80, 0.50, 3.50, 12.00, 13.00MAX., 7.80, 15.30MAX., 4.6, 3.0, 4.6</p>

(3)Electric Character

Item	Specify	Performance	
Center Freq.(Fo) +/- 0.5 %	430.5 MHz	430.5 MHz	
Tunable Range	430.5±3 MHz	430.5±3 MHz	
Insertion Loss	Typ. 2.0 dB	0.45 dB	
-3 dB Bandwidth	Typ. 58 MHz	62.1 MHz	
Sensitivity (Attenuation)	Fo -150 MHz	Typ. 24 dBc	26 dBc
	Fo +150 MHz	Typ. 29 dBc	31 dBc
	Fo - ()MHz	Typ. dBc	dBc
	Fo +()MHz	Typ. dBc	dBc
Return Loss	Min. 12 dB	15.2 dB	
Ripple	< 1 dB	1 dB	
Impedance	In / Out : 50 Ω	In / Out : 50 Ω	
(4)Torque for Tuning Screw	> 100gf · cm		

(5)Temperature Condition:

Operating Temperature	0°C ~ +60°C
Storage Temperature	-20°C ~ +70°C

(6)Input Power

> 1Watt			
Approval	Supervisor	Designer	Aperture size
C.Y. Chang	C.S. Chang	C.S. Chang	7H2S(4*6.5)F 7H046LB5

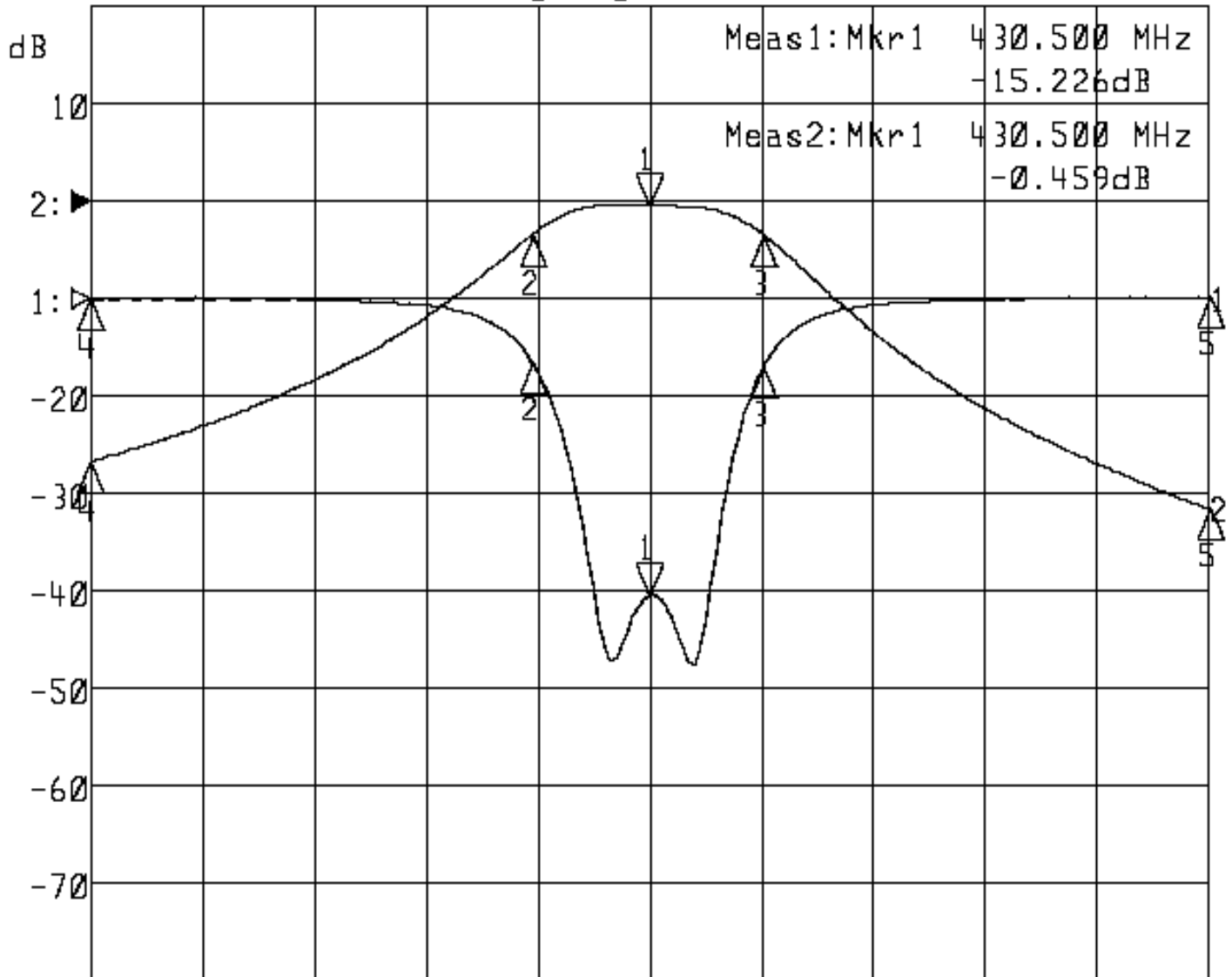
TEMWELL CORPORATION

Performance-TD67408B-430.5M

2008171DC

▶1:S11 Refl Port1 Log Mag 5.0 dB/ Ref 0.00 dB C

▶2:S21 Fwd Trans Log Mag 10.0 dB/ Ref 0.00 dB C



Center 430.500 MHz

Span 300.000 MHz

1: Mkr (MHz)	dB	2: Mkr (MHz)	dB
1> 430.5000	-15.226	1> 430.5000	-0.459
2: 399.1000	-3.256	2: 399.1000	-3.426
3: 461.2000	-3.449	3: 461.2000	-3.458
4: 280.5000	-0.037	4: 280.5000	-26.727
5: 580.5000	0.072	5: 580.5000	-31.500