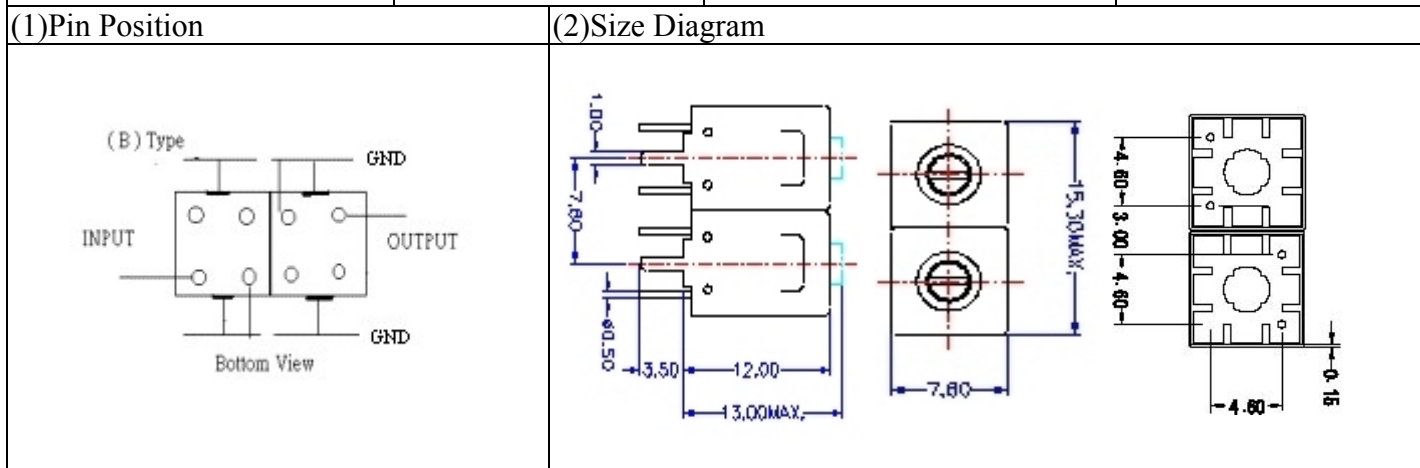


VHF UHF Helical Filter Specification Sheet

Customer Name		Temwell's Part No.	TD6738B-308M
Approval No. /dated	0907088ED	Temwell's Print name.	6738B 308M
Work Instruction No.	200907088ED	Date	Jul.21.2009



(3) Electric Characteristic

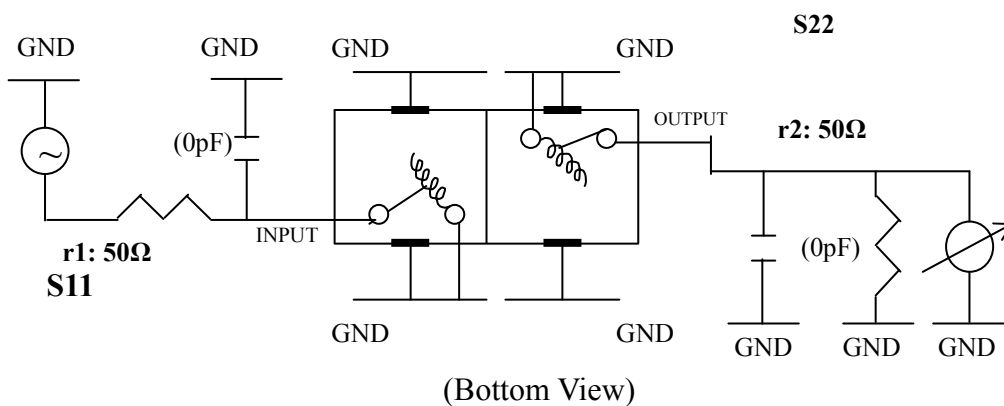
Item	Specify	Performance	
Center Freq.(Fo) +/- 0.5 %	308 MHz	308 MHz	
Insertion Loss	Typ. 3.0 dB	2.36 dB	
-3 dB Bandwidth	Typ. 8 MHz	9.7 MHz	
Sensitivity (Attenuation)	Fo - 50 MHz	Typ. 26 dBc	30 dBc
	Fo + 50 MHz	Typ. 50 dBc	53 dBc
	Fo - ()MHz	Typ. dB	dBc
	Fo + ()MHz	Typ. dB	dBc
Return Loss	Min. 12 dB	25.7 dB	
Ripple	< 1 dB	dB	
Impedance	In / Out : 50 Ω	In / Out : 50 Ω	
(4) Torque for Tuning Screw	> 100gf · cm		

(5) Temperature Condition:

Operating Temperature	0°C ~ +60°C
Storage Temperature	-20°C ~ +70°C

(6) Input Power

(7) Measuring Circuit: ※Easy to match Impedance S11/S22 50Ω by parallel with about (0) pF.

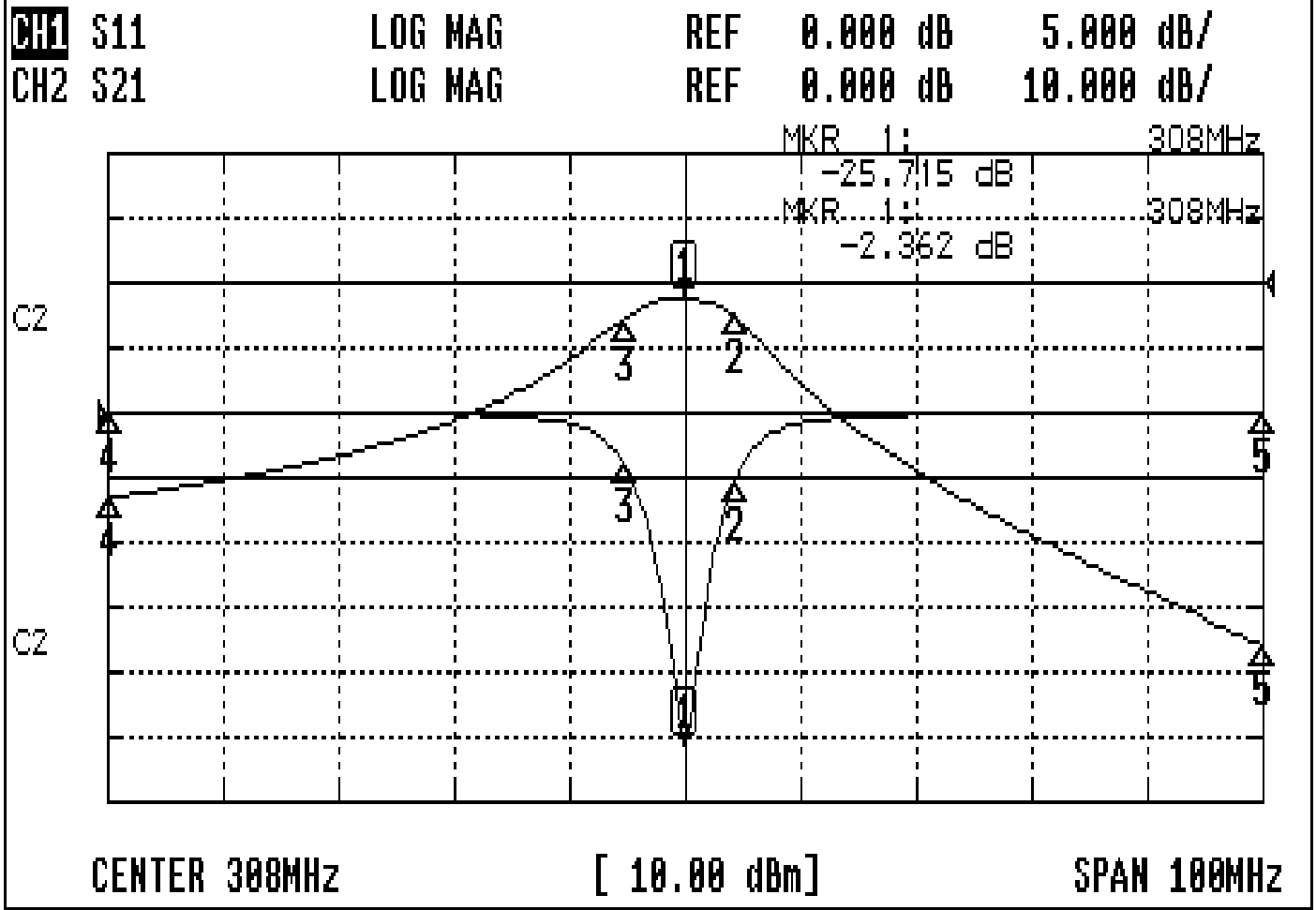


Approval C.Y.Chang	Supervisor C.K.Chang	Designer Y.H.Yeh	Aperture size 7H2S(4*5.5)(5.56) 7H046LB4.3 聚 3
-----------------------	-------------------------	---------------------	--

TEMWELL CORPORATION

Performance-TD6738B-308M

200907088ED



CH1 MARKER LIST

1:	308.000MHz	-25.715	dB	
2:	312.450MHz	-1.062	dB	
3:	302.720MHz	-3.944	dB	
4:	258.000MHz	0.011	dB	
5:	358.000MHz	0.035	dB	

CH2 MARKER LIST

1:	308.000MHz	-2.362	dB	
2:	312.450MHz	-1.111	dB	
3:	302.720MHz	-3.367	dB	
4:	258.000MHz	-3.136	dB	
5:	358.000MHz	-6.201	dB	