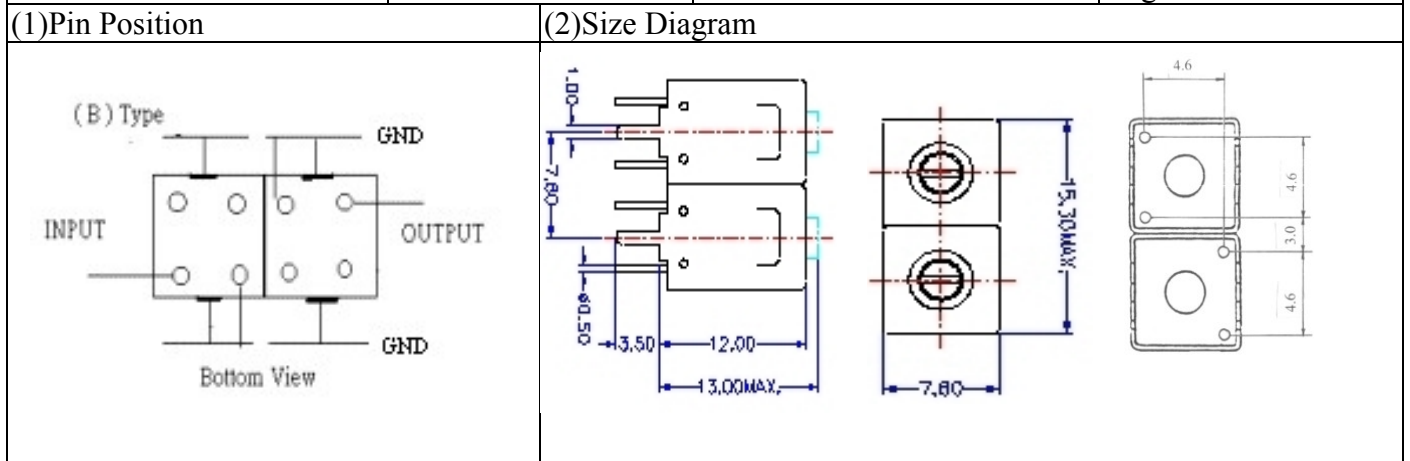


VHF UHF Helical Filter Specification Sheet

Customer Name		Temwell's Part No.	TD67380B-144M
Approval No. /dated	2008137APR	Acceptable Fo Specify Range	126~145M
Work Instruction No.	2008137DC	Date	Aug.02.2006



(3) Electric Charasteric

Item	Specify	Performance	
Center Freq.(Fo) +/- 0.5 %	144 MHz	144 MHz	
Tunable Range	144±2 MHz	144±2 MHz	
Insertion Loss	Typ. 2.5 dB	1.50 dB	
-3 dB Bandwidth	Typ. 20 MHz	23.2 MHz	
Sensitivity (Attenuation)	Fo - 50 MHz	Typ. 21 dBc	24 dBc
	Fo + 50 MHz	Typ. 21 dBc	24 dBc
	Fo - ()MHz	Typ. dBc	dBc
	Fo +()MHz	Typ. dBc	dBc
Return Loss	Min. 12 dB	24.6 dB	
Ripple	< 1 dB	dB	
Impedance	In / Out : 50 Ω	In / Out : 50 Ω	

(4) Torque for Tuning Screw > 100gf · cm

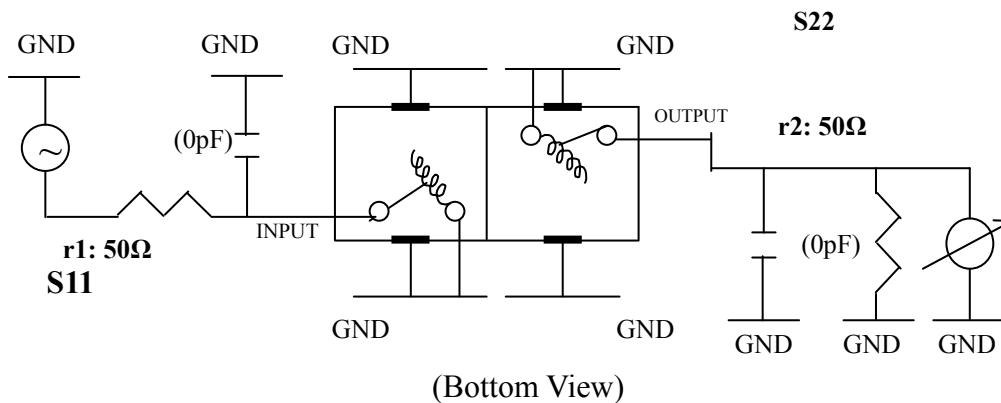
(5) Temperature Condition:

Operating Temperature 0°C ~ +60°C

Storage Temperature -20°C ~ +70°C

(6) Input Power > 1 Watt

(7) Measuring Circuit: ※Easy to match Impedance 50Ωby parallel with about (0) pF.



Approval	Supervisor	Designer	Aperture size
C.Y.Chang	C.S.Chang	C.S.Chang	7H2(4*5.5)(5.59)F 7H0LB6

TEMWELL CORPORATION

TEMWELL

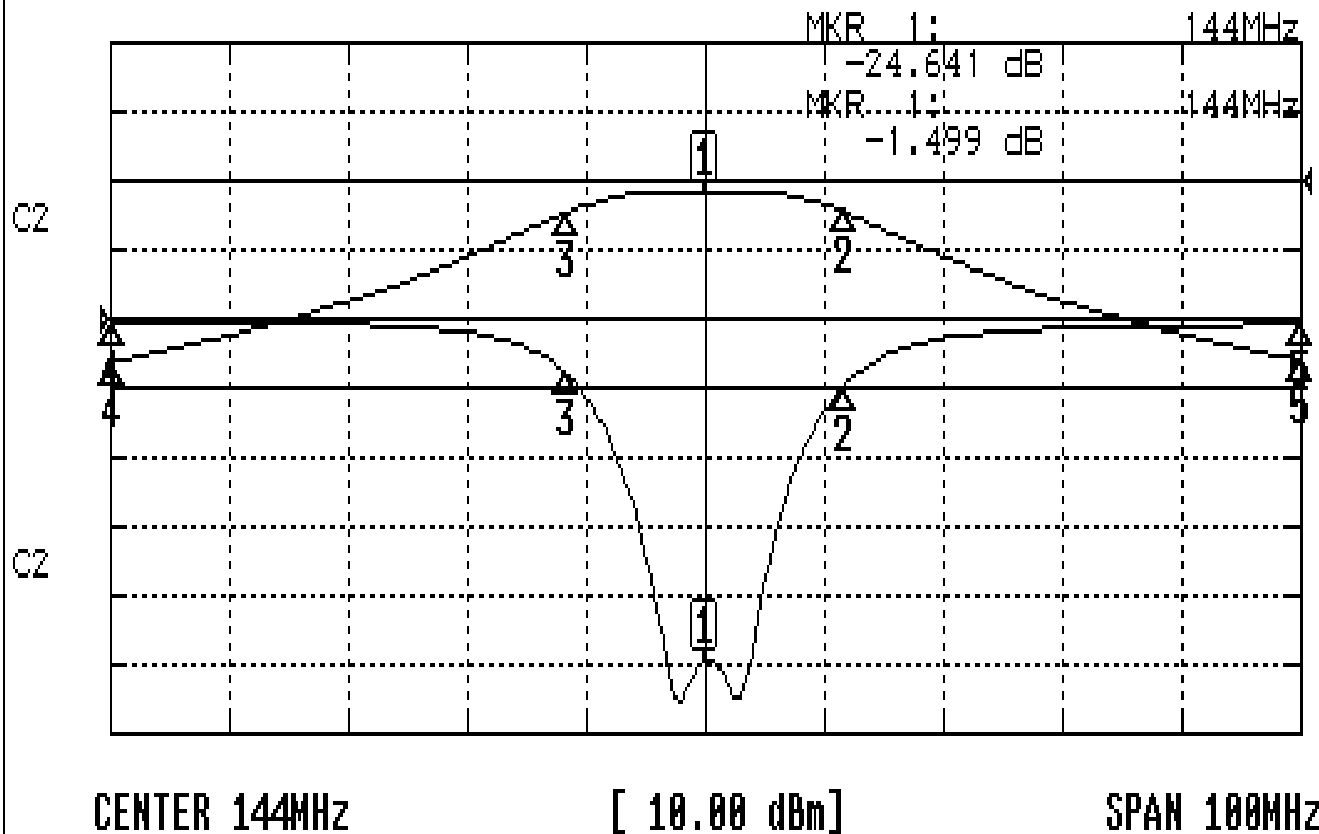
Form10-7H2B Vision D

RP:C.S.Chang

Performance-TD67380B-144M

2008137DC

CH1 S11 LOG MAG REF 0.000 dB 5.000 dB/
CH2 S21 LOG MAG REF 0.000 dB 10.000 dB/



CH1 MARKER LIST

1:	144.000MHz	-24.635 dB
2:	155.666MHz	-4.825 dB
3:	132.416MHz	-4.028 dB
4:	94.000MHz	-0.211 dB
5:	194.000MHz	-0.412 dB

CH2 MARKER LIST

1:	144.000MHz	-1.499 dB
2:	155.666MHz	-4.480 dB
3:	132.416MHz	-4.523 dB
4:	94.000MHz	-26.744 dB
5:	194.000MHz	-25.859 dB