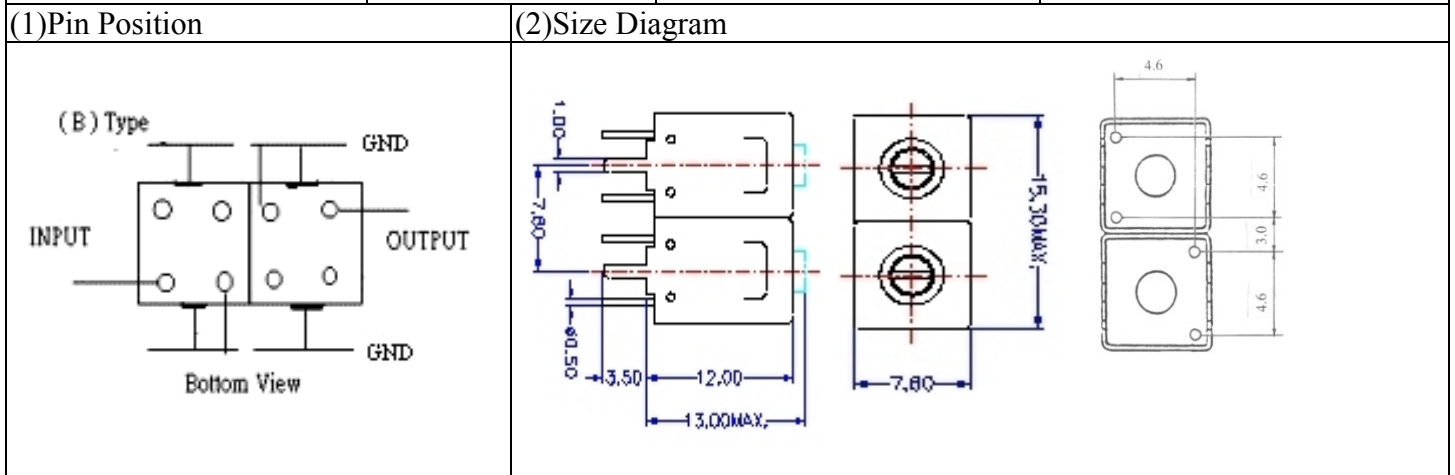


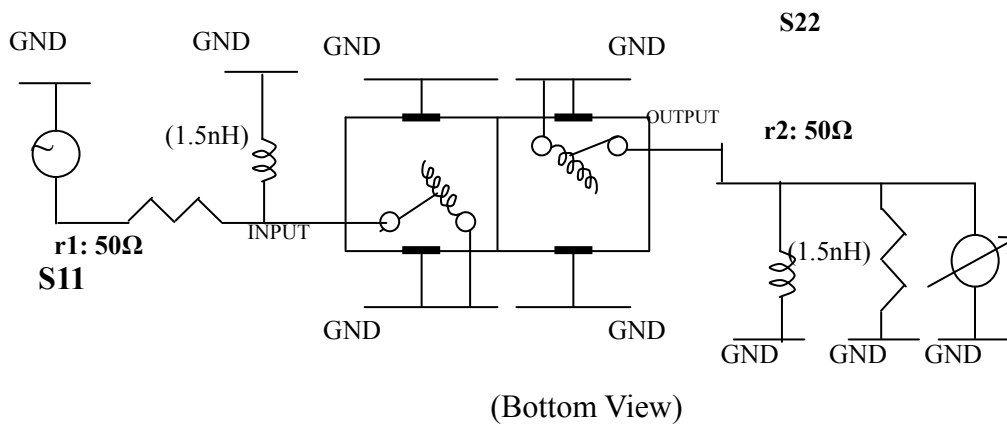
VHF UHF Helical Filter Specification Sheet

Customer Name		Temwell's Part No.	TD6737B-272M
Approval No. /dated	9705100APR	Acceptable Specify Fo. Range	246~275MHz
Work Instruction No.	9705100	Date	Jun.07.2005



(3) Electric Character			
Item	Specify	Performance	
Center Freq.(Fo) +/- 0.75 %	272±4 MHz	272±4 MHz	
Insertion Loss	Typ. 2.5 dB	1.27 dB	
-3 dB Bandwidth	Typ. 10 MHz	14.7 MHz	
Sensitivity (Attenuation)	Fo - 50 MHz	Typ. 25 dBc	28 dBc
	Fo + 50 MHz	Typ. 26 dBc	38 dBc
	Fo - ()MHz	Typ. dBc	dBc
	Fo +()MHz	Typ. dBc	dBc
Return Loss	Min. 12 dB	23.1 dB	
Ripple	< 1 dB	dB	
Impedance	In / Out : 50 Ω	In / Out : 50 Ω	
(4) Torque for Tuning Screw		> 100gf · cm	
(5) Temperature Condition:			
Operating Temperature		-30°C ~ +70°C	
Storage Temperature		-30°C ~ +80°C	
(6) Input Power		> 1Watt	

(7) Measuring Circuit: ※ Easy to match Impedance 50Ω by parallel with about (1.5) nH.

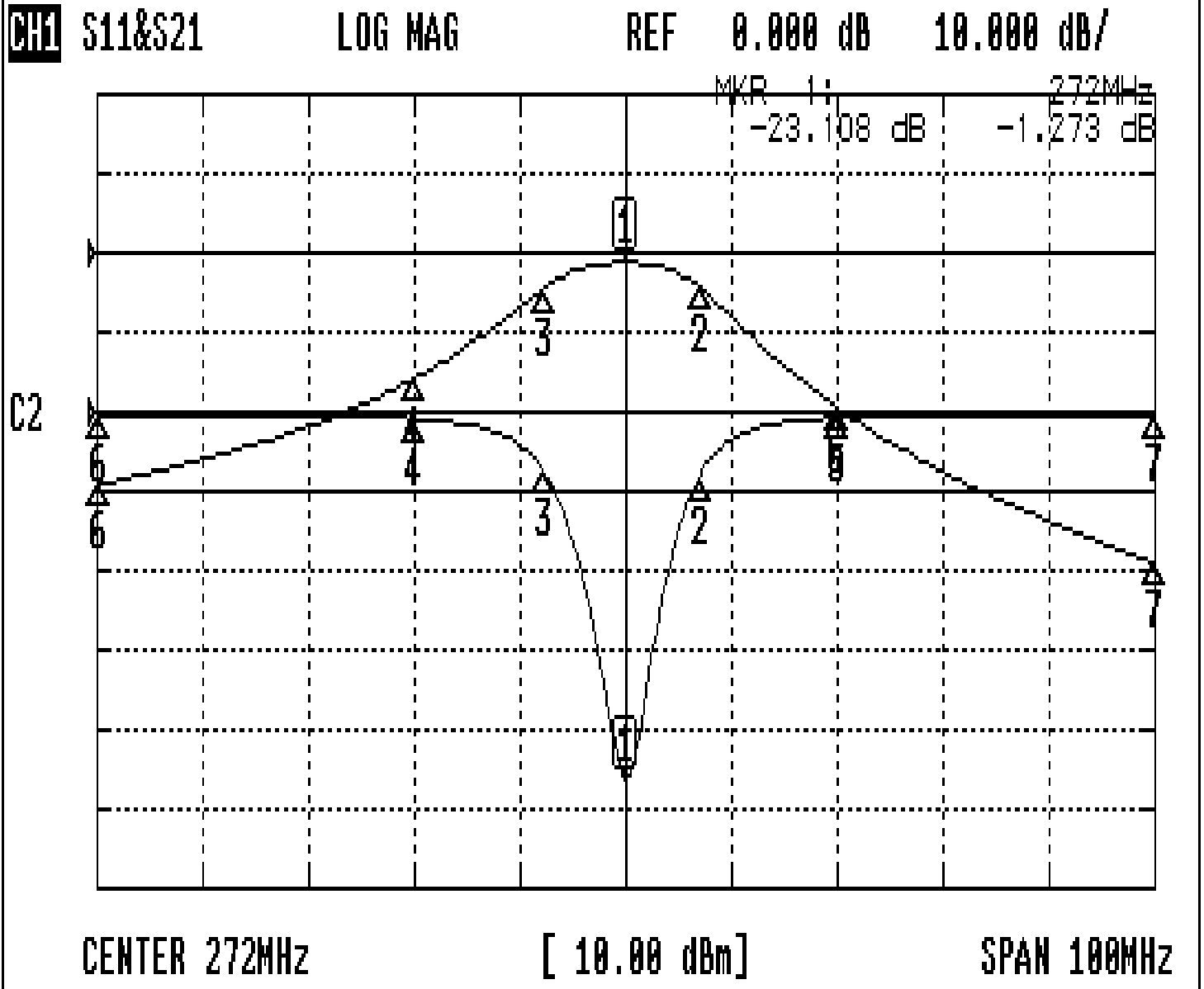


Approval C.Y.Chang	Supervisor C.S.Chang	Designer J.F.Lin	Aperture size 7H2S, 4*5.5(5.60) 7H024LB4
-----------------------	-------------------------	---------------------	--

TEMWELL CORPORATION

Performance-TD6737B-272M

9705100



CH1 MARKER LIST

1:	272.000MHz	-23.108 dB	-1.273 dB
2:	279.000MHz	-4.111 dB	-4.311 dB
3:	264.333MHz	-3.755 dB	-4.342 dB
4:	252.000MHz	-0.417 dB	-15.835 dB
5:	292.000MHz	-0.353 dB	-19.490 dB
6:	222.000MHz	-0.166 dB	-29.130 dB
7:	322.000MHz	-0.169 dB	-39.015 dB