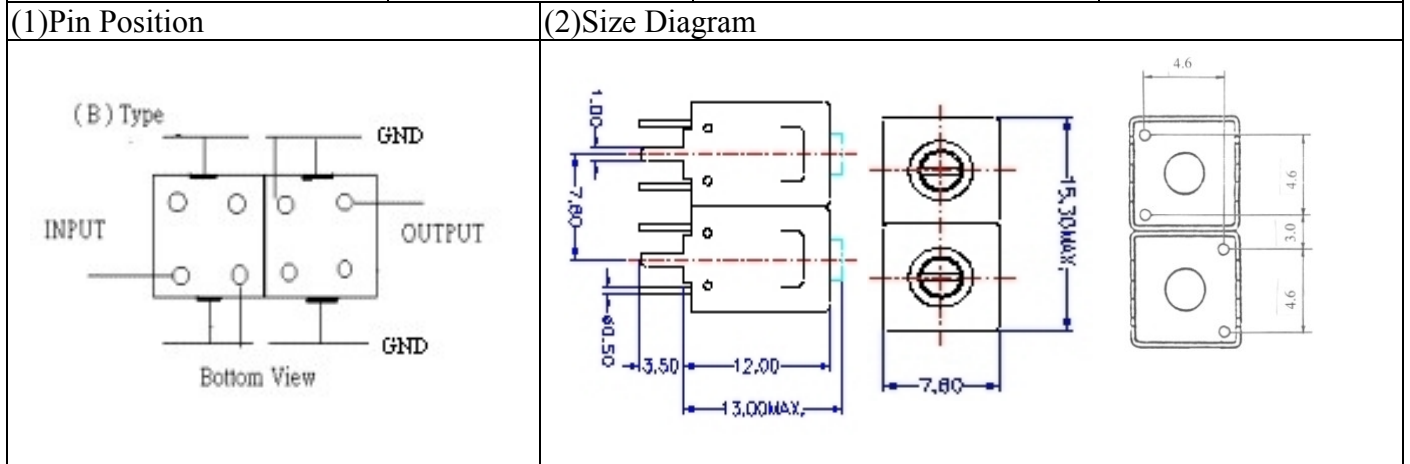


VHF UHF Helical Filter Specification Sheet

Customer Name		Temwell's Part No.	TD67376B-148M
Approval No. /dated	2008133APR	Acceptable Fo Specify Range	146~165M
Work Instruction No.	2008133DC	Date	Jul.21.2006



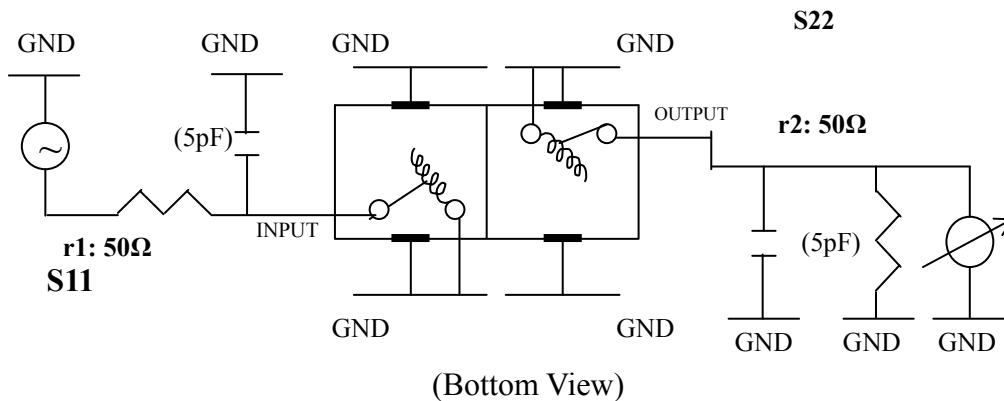
(3) Electric Characteristic			
Item		Specify	Performance
Center Freq.(Fo) +/- 0.5 %		148 MHz	148 MHz
Tunable Range		148±2 MHz	148±2 MHz
Insertion Loss		Typ. 2.0 dB	1.13 dB
-3 dB Bandwidth		Typ. 24 MHz	26.1 MHz
Sensitivity (Attenuation)	Fo - 50 MHz	Typ. 21 dBc	24 dBc
	Fo + 50 MHz	Typ. 20 dBc	23 dBc
	Fo - ()MHz	Typ. dBc	dBc
	Fo +()MHz	Typ. dBc	dBc
Return Loss		Min. 12 dB	17.0 dB
Ripple		< 1 dB	dB
Impedance		In / Out : 50 Ω	In / Out : 50 Ω

(4) Torque for Tuning Screw > 100gf · cm

(5) Temperature Condition:	
Operating Temperature	0°C ~ +60°C
Storage Temperature	-20°C ~ +70°C

(6) Input Power > 1 Watt

(7) Measuring Circuit: ※Easy to match Impedance 50Ω by parallel with about (5) pF.



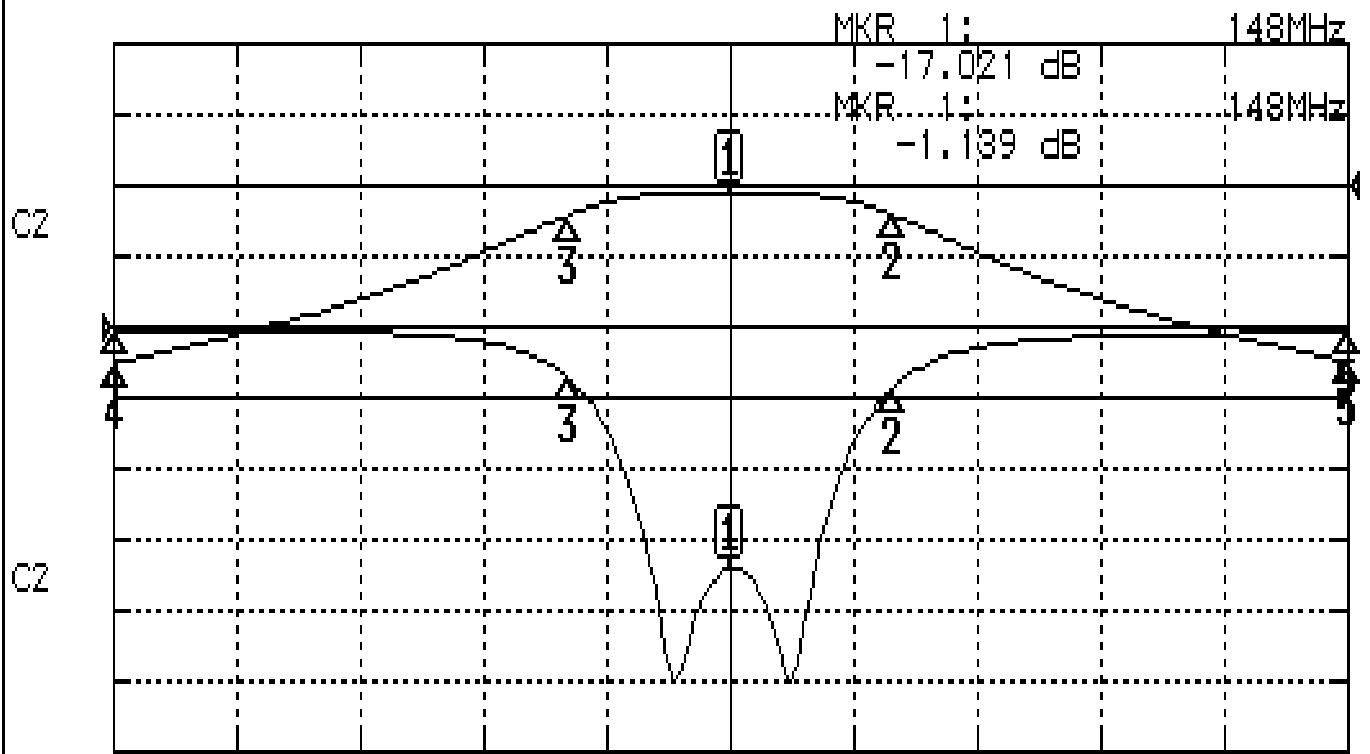
Approval	Supervisor	Designer	Aperture size
C.Y.Chang	C.S.Chang	C.S.Chang	7H2(4*5.5)(5.62)F 7H00LB6

TEMWELL CORPORATION

Performance-TD67376B-148M

2008133DC

CH1 S11 LOG MAG REF 0.000 dB 5.000 dB/
CH2 S21 LOG MAG REF 0.000 dB 10.000 dB/



CENTER 148MHz

[10.00 dBm]

SPAN 100MHz

CH1 MARKER LIST

1	148.000MHz	-17.023 dB
2	161.083MHz	-4.385 dB
3	134.916MHz	-3.624 dB
4	98.000MHz	-0.193 dB
5	198.000MHz	-0.375 dB

CH2 MARKER LIST

1	148.000MHz	-1.139 dB
2	161.083MHz	-4.148 dB
3	134.916MHz	-4.172 dB
4	98.000MHz	-25.071 dB
5	198.000MHz	-24.751 dB