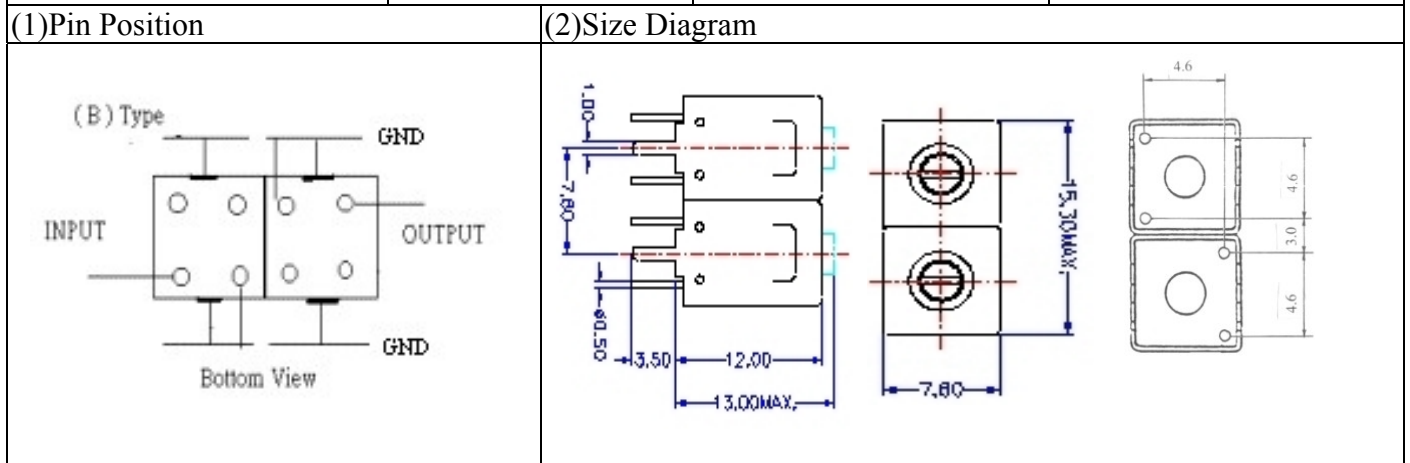


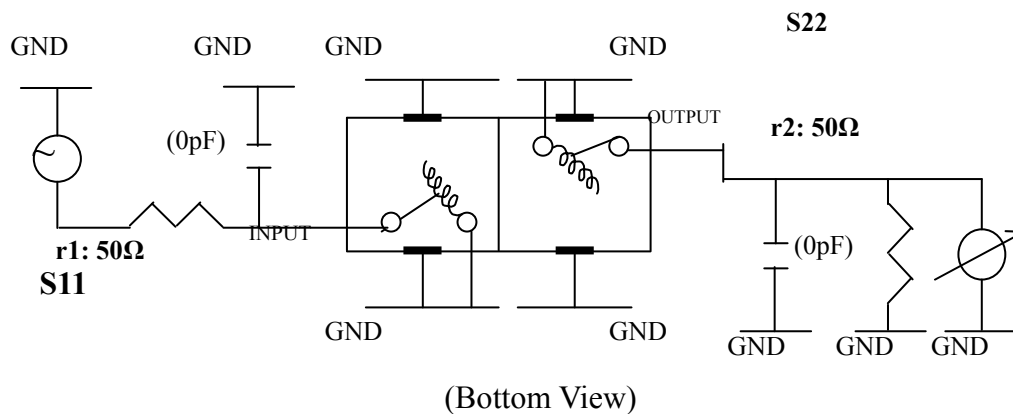
VHF UHF Helical Filter Specification Sheet

Customer Name		Temwell's Part No.	TD67372B-151M
Approval No. /dated	2008129APR	Temwell's Print Name	146~165M
Work Instruction No.	2008129DC	Date	Jul.31.2006



(3) Electric Character			
Item	Specify	Performance	
Center Freq.(Fo) +/- 0.5 %	151 MHz	151 MHz	
Tunable Range	151±5 MHz	151±5 MHz	
Insertion Loss	Typ. 2.0 dB	0.94 dB	
-3 dB Bandwidth	Typ. 30 MHz	32.3 MHz	
Sensitivity (Attenuation)	Fo - 50 MHz	Typ. 15 dBc	17 dBc
	Fo + 50 MHz	Typ. 19 dBc	21 dBc
	Fo - ()MHz	Typ. dBc	dBc
	Fo +()MHz	Typ. dBc	dBc
Return Loss	Min. 12 dB	20.2 dB	
Ripple	< 1 dB	dB	
Impedance	In / Out : 50 Ω	In / Out : 50 Ω	
(4) Torque for Tuning Screw	> 100gf · cm		
(5) Temperature Condition:			
Operating Temperature	0°C ~ +60°C		
Storage Temperature	-20°C ~ +70°C		
(6) Input Power	> 1Watt		

(7) Measuring Circuit: ※Easy to match Impedance 50Ω by parallel with about (0) pF.



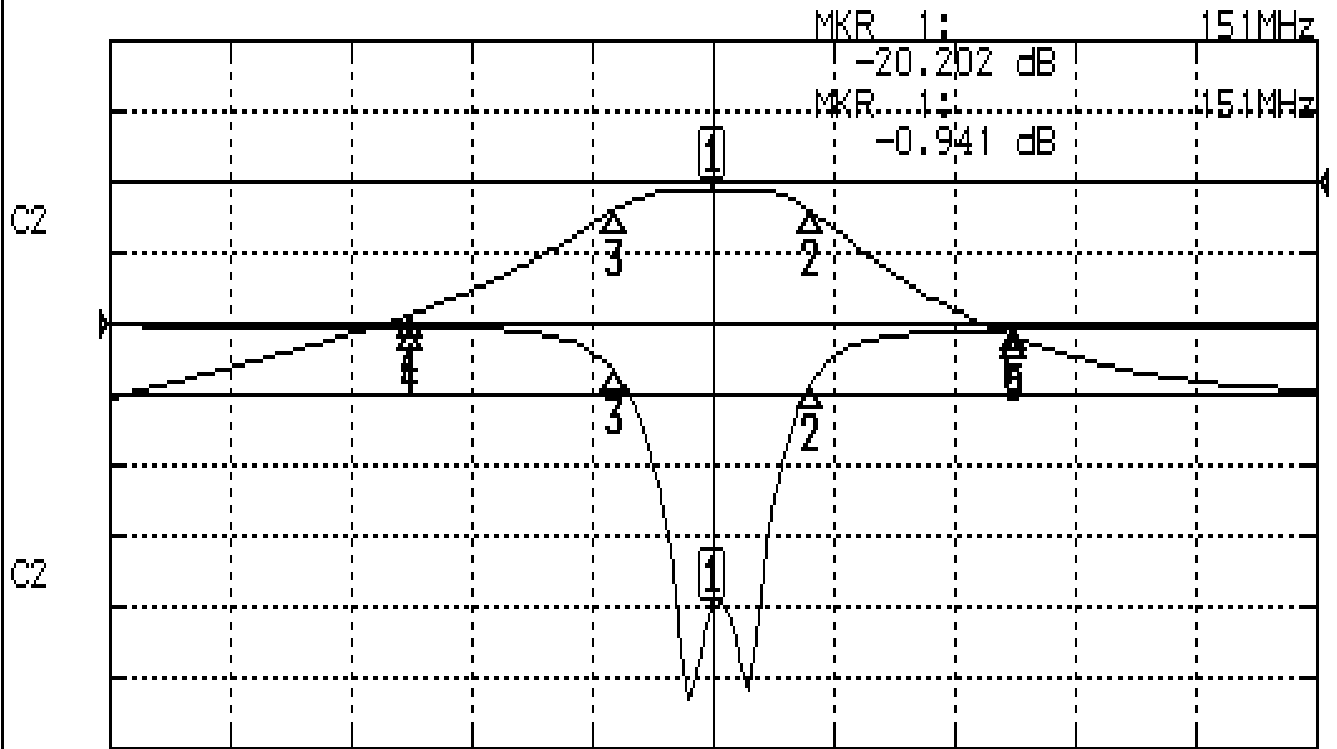
Approval	Supervisor	Designer	Aperture size
C.Y.Chang	C.S.Chang	W.W.Wang	7H2(4*6.5)F 7H00LB6

TEMWELL CORPORATION

Performance-TD67372B-151M

2008129DC

CH1	S11	LOG MAG	REF	0.000 dB	5.000 dB/
CH2	S21	LOG MAG	REF	0.000 dB	10.000 dB/



CENTER 151MHz

[10.00 dBm]

SPAN 200MHz

CH1 MARKER LIST

1:	151.000MHz	-20.202	dB
2:	167.166MHz	-4.336	dB
3:	134.833MHz	-3.387	dB
4:	101.000MHz	-0.255	dB
5:	201.000MHz	-0.425	dB

CH2 MARKER LIST

1:	151.000MHz	-0.941	dB
2:	167.166MHz	-3.968	dB
3:	134.833MHz	-3.904	dB
4:	101.000MHz	-18.604	dB
5:	201.000MHz	-21.912	dB