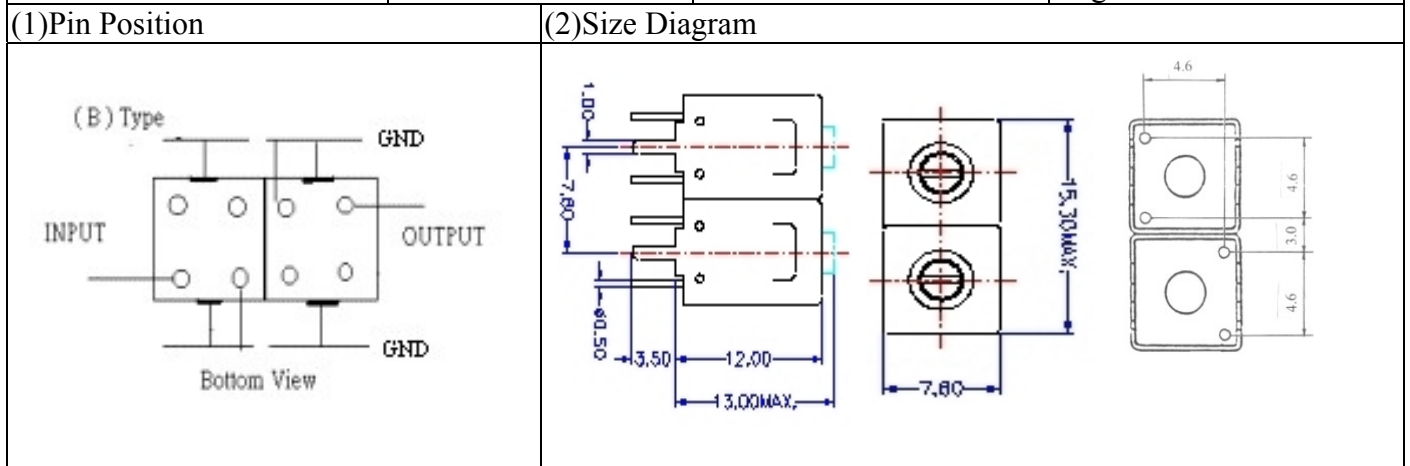


# VHF UHF Helical Filter Specification Sheet

Customer Name		Temwell's Part No.	TD67369B-480M
Approval No. /dated	20301028APR	Acceptable Specify Fo Range	456~515 MHz
Work Instruction No.	20301028B	Date	Aug.22.2006



(3) Electric Character

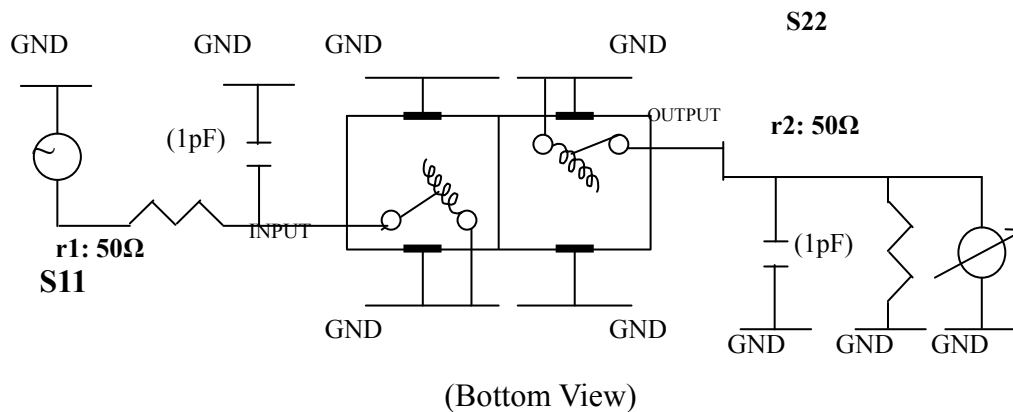
Item	Specify	Performance	
Center Freq.(Fo) +/- 0.5 %	480 MHz	480 MHz	
Tunable Range	480±5 MHz	480±5 MHz	
Insertion Loss	Typ. 2.0 dB	1.17 dB	
-3 dB Bandwidth	Typ. 25 MHz	28.8 MHz	
Sensitivity (Attenuation)	Fo - 50 MHz	Typ. 16 dBc	19 dBc
	Fo + 50 MHz	Typ. 21 dBc	24 dBc
	Fo - ( )MHz	Typ. dBc	dBc
	Fo +( )MHz	Typ. dBc	dBc
Return Loss	Min. 12 dB	17.5 dB	
Ripple	< 1 dB	dB	
Impedance	In / Out : 50 Ω	In / Out : 50 Ω	
(4) Torque for Tuning Screw	> 100gf · cm		

(5) Temperature Condition:

Operating Temperature	0°C ~ +60°C
Storage Temperature	-20°C ~ +70°C

(6) Input Power > 1Watt

(7) Measuring Circuit: ※Easy to match Impedance 50Ω by parallel with about ( 1 ) pF.



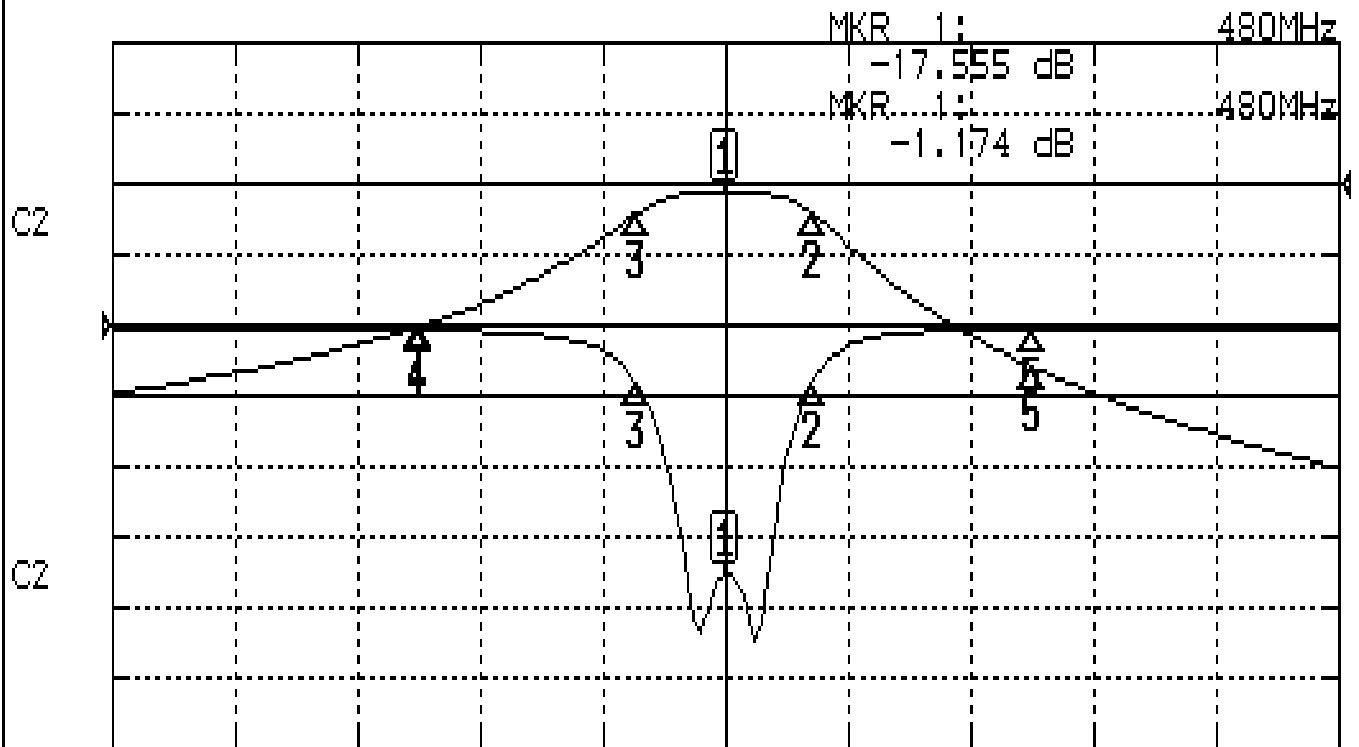
Approval	Supervisor	Designer	Aperture size
C.Y.Chang	C.S.Chang	W.W.Wang	7H2( 4*7.5)F 7H046LB4 聚 3

TEMWELL CORPORATION

# Performance-TD67369B-480M

## 20301028B

CH1 S11 LOG MAG REF 0.000 dB 5.000 dB/  
CH2 S21 LOG MAG REF 0.000 dB 10.000 dB/



CENTER 480MHz

[ 10.00 dBm ]

SPAN 200MHz

### CH1 MARKER LIST

1:	480.000MHz	-17.555 dB
2:	494.333MHz	-3.957 dB
3:	465.500MHz	-4.026 dB
4:	430.000MHz	-0.317 dB
5:	530.000MHz	-0.265 dB

### CH2 MARKER LIST

1:	480.000MHz	-1.174 dB
2:	494.333MHz	-4.187 dB
3:	465.500MHz	-4.124 dB
4:	430.000MHz	-20.214 dB
5:	530.000MHz	-25.865 dB