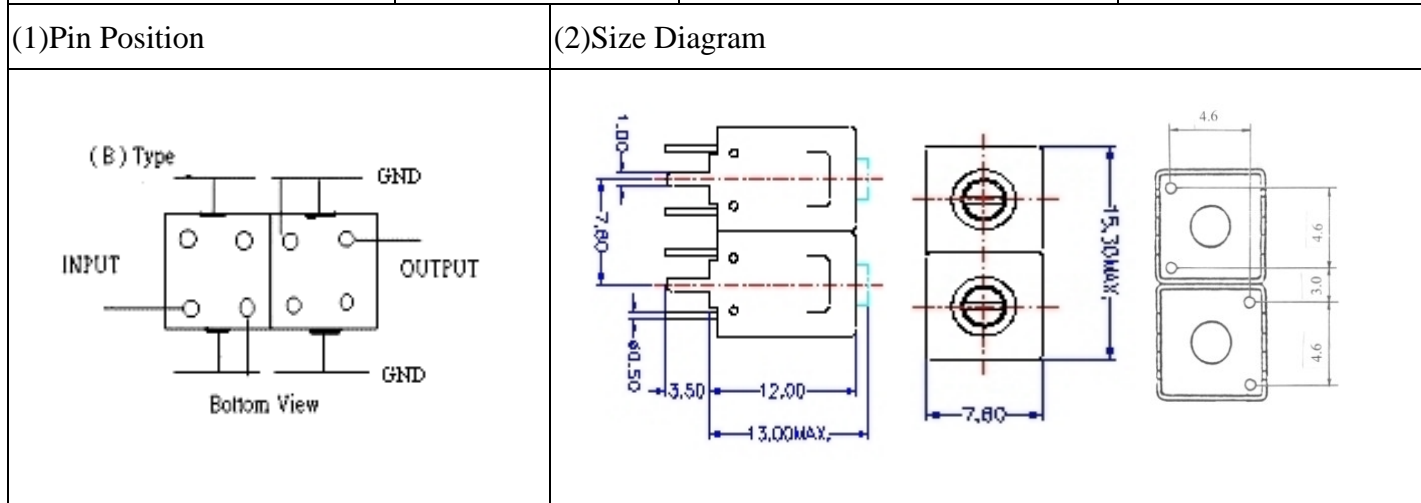


# VHF UHF Helical Filter Specification Sheet

Customer Name		Temwell's Part No.	TD6735B-240M
Approval No. /dated	20101002A	Acceptable Specify Fo. Range	221~245MHz
Work Instruction No.	20101002A	Date	86.09.23



(3)Electric Character

Item	Specify	Performance	
Center Freq.(Fo ) +/- 0.75 %	240 MHz	240 MHz	
Tunable Range	240±4 MHz	240±4 MHz	
Insertion Loss	Typ. 2.0 dB	1.23 dB	
-3 dB Bandwidth	Typ. 12 MHz	13.5 MHz	
Sensitivity (Attenuation )	Fo - 50 MHz	Typ. 28 dBc	30 dBc
	Fo + 50 MHz	Typ. 38 dBc	40 dBc
	Fo - ( )MHz	Typ. dBc	dBc
	Fo +( )MHz	Typ. dBc	dBc
Return Loss	Min. 12 dB	19.4 dB	
Ripple	< 1 dB	1 dB	
Impedance	In / Out : 50 Ω	In / Out : 50 Ω	
(4)Torque for Tuning Screw	> 100gf · cm		

(5)Temperature Condition:

Operating Temperature	-30°C ~ +70°C
Storage Temperature	-30°C ~ +80°C
(6)Input Power	> 1Watt

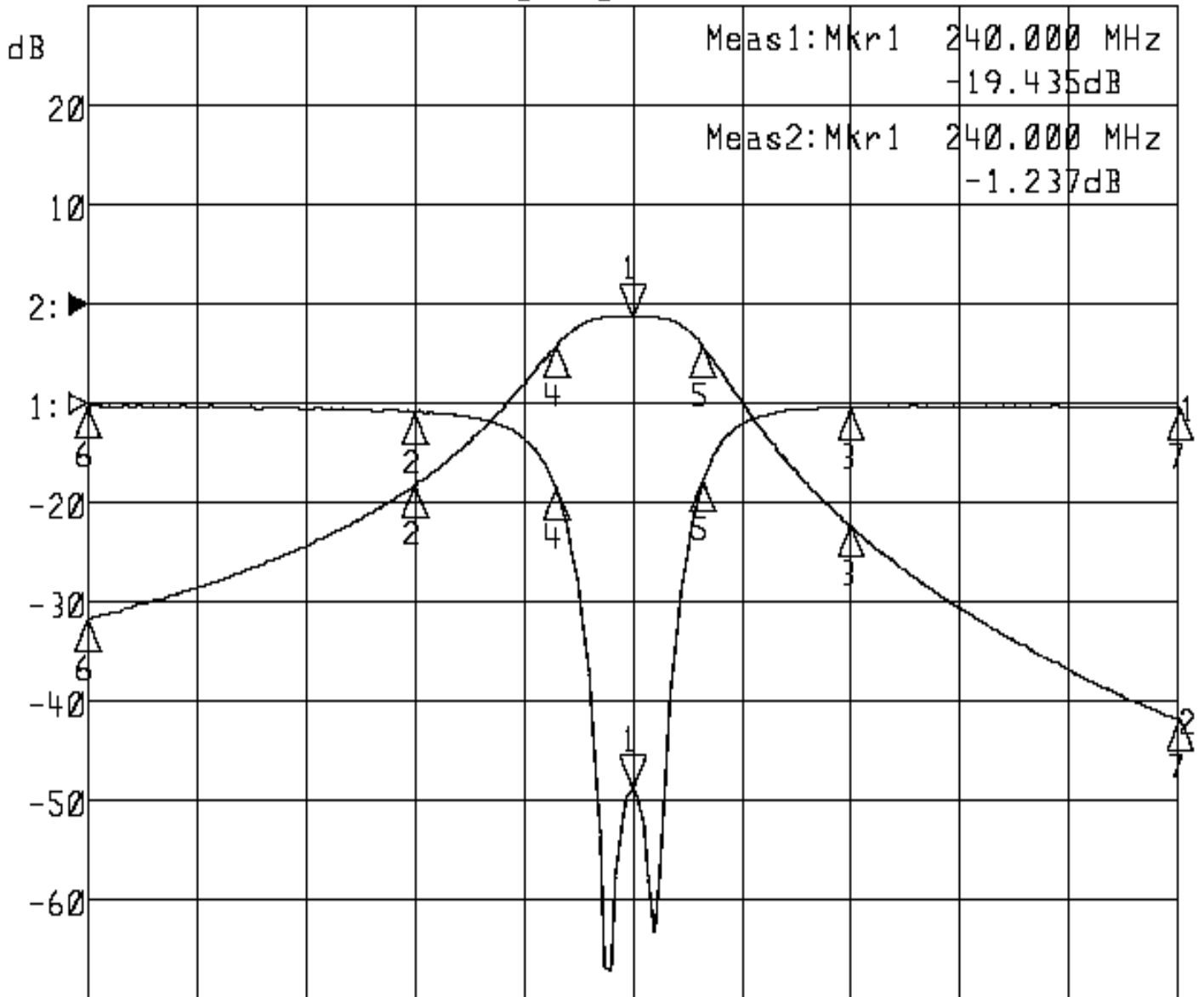
Approval	Supervisor	Designer	Aperture size
C.Y.Chang	C.S.Chang	C.S.Chang	7H2S(4*6.5) 7H024LB4

TEMWELL CORPORATION

# Performance-TD6735B-240M

## 20101002A

▶1: S11 Refl Port1    Log Mag    5.0 dB/ Ref    0.00 dB    C  
▶2: S21 Fwd Trans    Log Mag    10.0 dB/ Ref    0.00 dB    C



Meas1: Mkr1    240.000 MHz  
                  -19.435 dB  
Meas2: Mkr1    240.000 MHz  
                  -1.237 dB

Center 240.000 MHz

Span 100.000 MHz

1: Mkr (MHz)	dB	2: Mkr (MHz)	dB
1> 240.0000	-19.435	1> 240.0000	-1.237
2: 220.0000	-0.456	2: 220.0000	-18.336
3: 260.0000	-0.221	3: 260.0000	-22.359
4: 232.9333	-4.232	4: 232.9333	-4.249
5: 246.4667	-3.934	5: 246.4667	-4.222
6: 190.0000	-0.184	6: 190.0000	-31.783
7: 290.0000	-0.207	7: 290.0000	-41.866