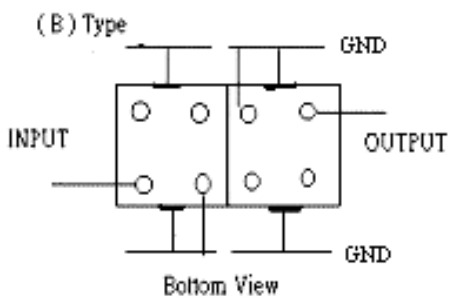
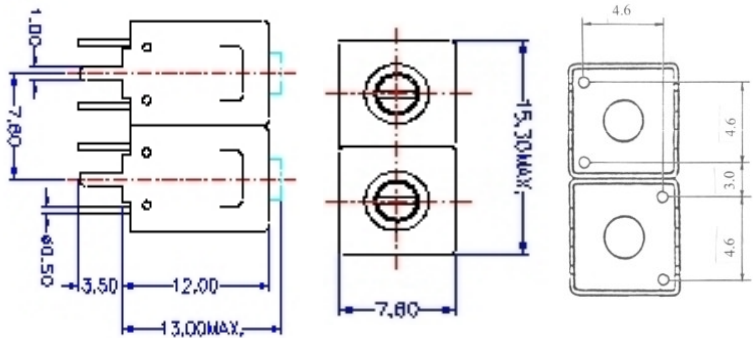


VHF UHF Helical Filter Specification Sheet

Customer Name		Temwell's Part No.	TD6734B-232.25M
Approval No. /dated	2007045B	Acceptable Specify Fo. Range	221~245MHz
Work Instruction No.	2007045B	Date	2000.07.28

(1)Pin Position	(2)Size Diagram
	

(3)Electric Character

Item	Specify	Performance
Center Freq.(Fo) +/- 0.75 %	232.25 MHz	232.25 MHz
Tunable Range	232.25±4 MHz	232.25±4 MHz
Insertion Loss	Typ. 2.5 dB	1.69 dB
-3 dB Bandwidth	Typ. 8 MHz	10.3 MHz
Sensitivity (Attenuation)	Fo - 50 MHz	Typ. 30 dBc
	Fo + 50 MHz	Typ. 40 dBc
	Fo - ()MHz	Typ. dBc
	Fo +()MHz	Typ. dBc
Return Loss	Min. 12 dB	24.1 dB
Ripple	< 1 dB	1 dB
Impedance	In / Out : 50 Ω	In / Out : 50 Ω
(4)Torque for Tuning Screw	> 100gf • cm	

(5)Temperature Condition:

Operating Temperature	-30℃ ~ +70℃
Storage Temperature	-30℃ ~ +80℃

(6)Input Power

	> 1Watt
--	---------

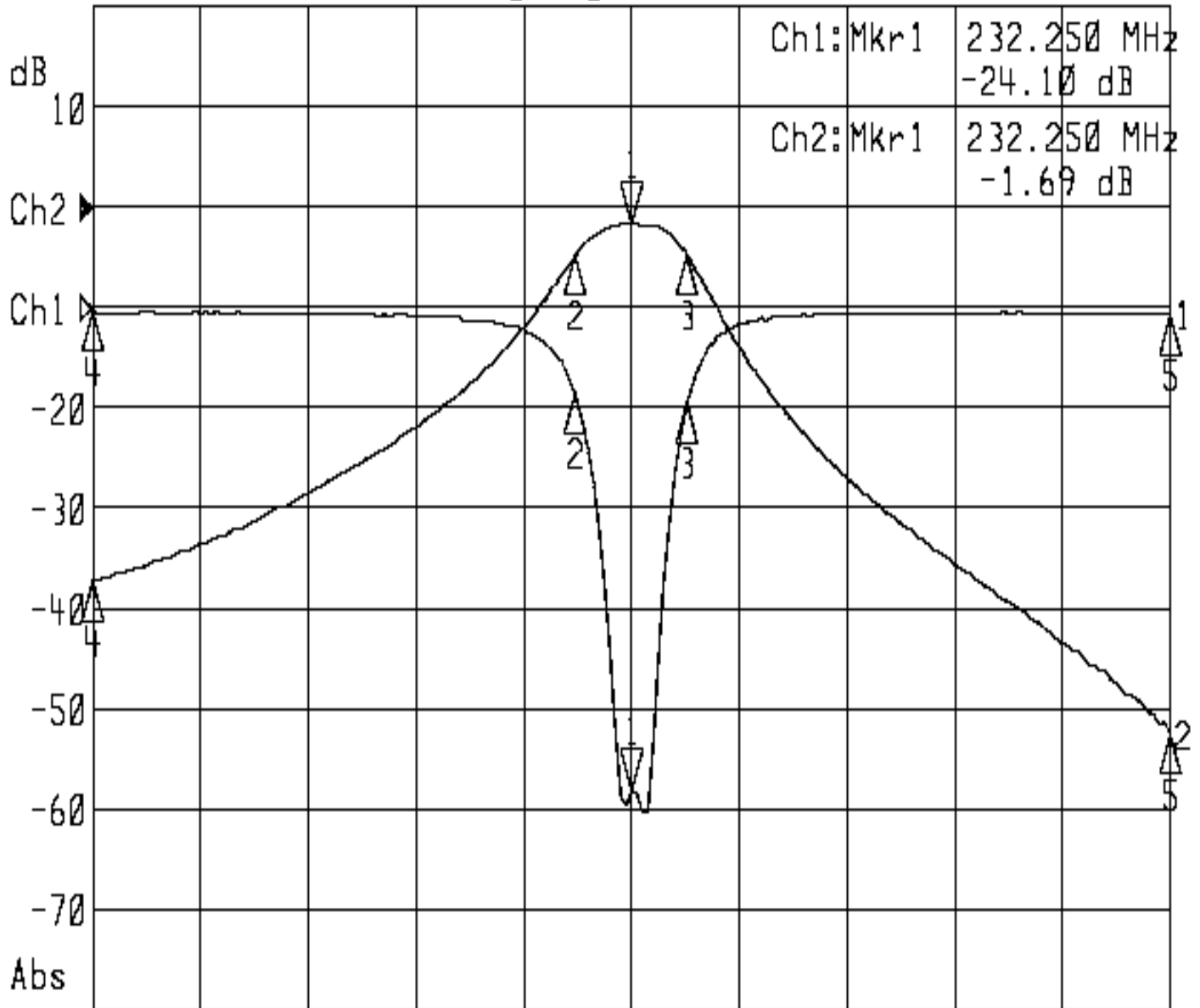
Approval	Supervisor	Designer	Aperture size
C.Y.Chang	C.S.Chang	C.S.Chang	7H2S(4*5.5) 7H024LB4

TEMWELL CORPORATION

Performance-TD6734B-232.25M

2007045B

▶1: Reflection Log Mag 5.0 dB/ Ref 0.00 dB C
 ▶2: Transmission Log Mag 10.0 dB/ Ref 0.00 dB C



Center 232.250 MHz

Span 100.000 MHz

1: Mkr (MHz)	dB	2: Mkr (MHz)	dB
1> 232.25	-24.10	1> 232.25	-1.69
2: 227.01	-4.30	2: 227.01	-4.78
3: 237.39	-4.75	3: 237.39	-4.70
4: 182.25	-0.23	4: 182.25	-37.30
5: 282.25	-0.38	5: 282.25	-52.59