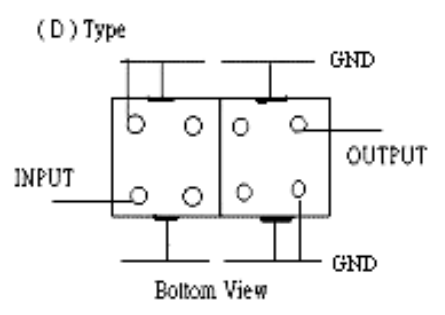
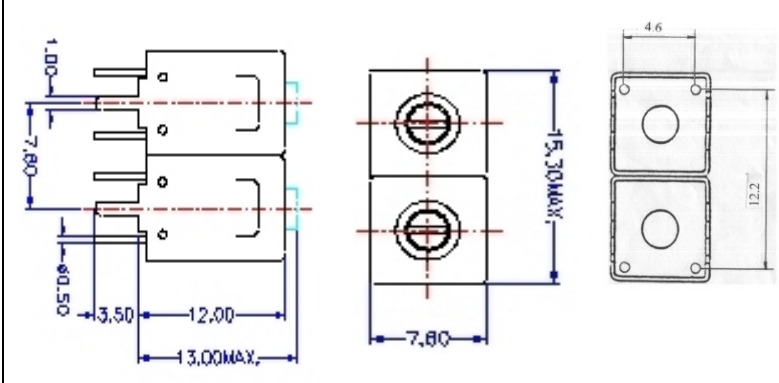


VHF UHF Helical Filter Specification Sheet

Customer Name		Temwell's Part No.	TD6733D-208M
Approval No. /dated	2007047B	Acceptable Specify Fo. Range	196~220MHz
Work Instruction No.	2007047B	Date	89.07.29

<p>(1) Pin Position</p>  <p style="text-align: center;">(D) Type Bottom View</p>	<p>(2) Size Diagram</p> 
---	--

(3) Electric Character

Item	Specify	Performance	
Center Freq.(Fo) +/- 0.75 %	208 MHz	208 MHz	
Tunable Range	208±8 MHz	208±8 MHz	
Insertion Loss	Typ. 3.0 dB	1.62 dB	
-3 dB Bandwidth	Typ. 10 MHz	13 MHz	
Sensitivity (Attenuation)	Fo - 50 MHz	Typ. 29 dBc	32 dBc
	Fo + 50 MHz	Typ. 30 dBc	34 dBc
	Fo - ()MHz	Typ. dBc	dBc
	Fo +()MHz	Typ. dBc	dBc
Return Loss	Min. 12 dB	13 dB	
Ripple	< 1 dB	dB	
Impedance	In / Out : 50 Ω	In / Out : 50 Ω	
(4) Torque for Tuning Screw	> 100gf · cm		

(5) Temperature Condition:

Operating Temperature	-30°C ~ +70°C
Storage Temperature	-30°C ~ +80°C

(6) Input Power

	> 1 Watt		
Approval	Supervisor	Designer	Aperture size
C.Y.Chang	C.S.Chang	Z. M. Guo	7H2S(4*6.5) 7H024RB4

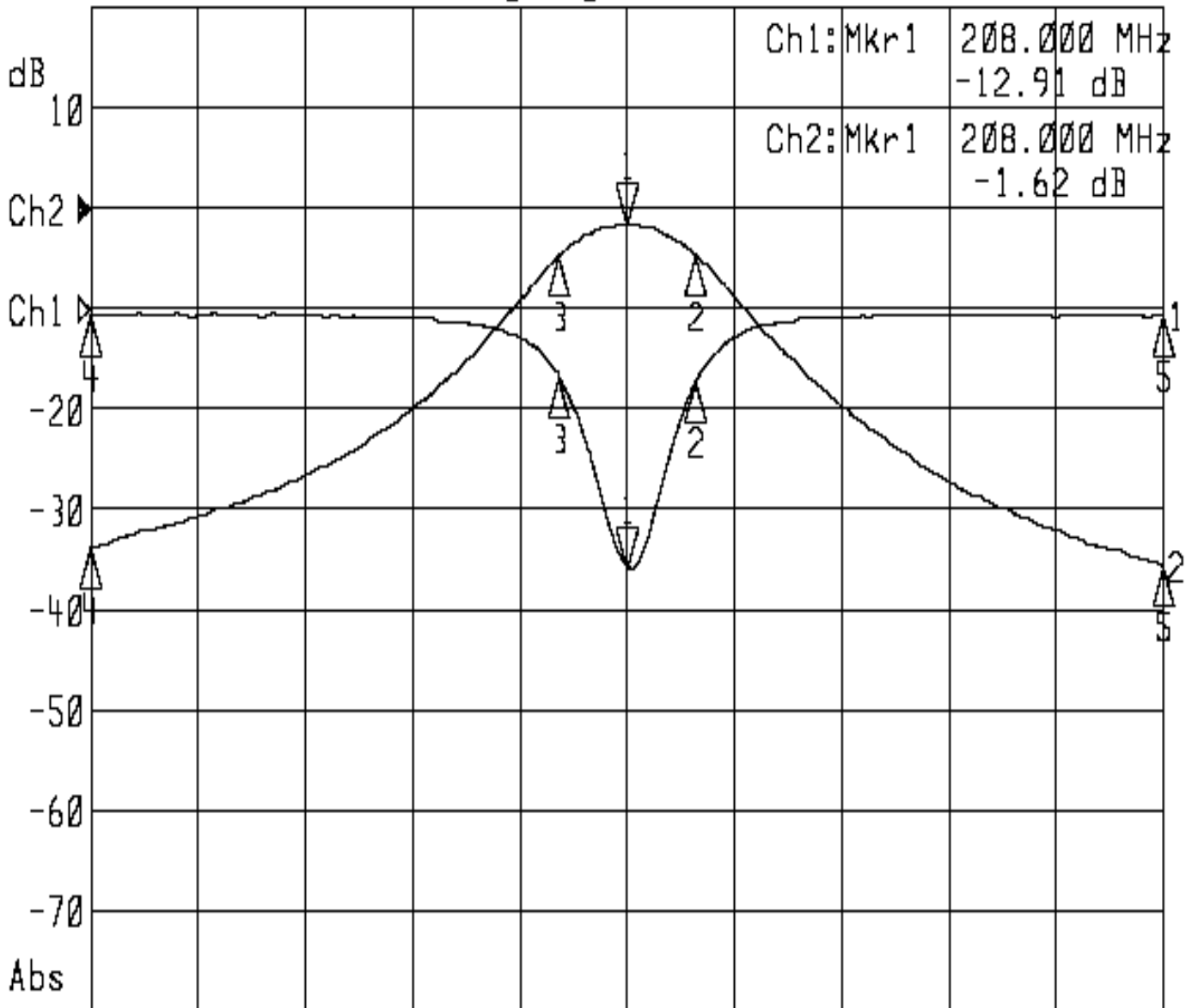
TEMWELL CORPORATION

Performance-TD6733D-208M

2007047B

▶1: Reflection Log Mag 5.0 dB/ Ref 0.00 dB C

▶2: Transmission Log Mag 10.0 dB/ Ref 0.00 dB C



Center 208.000 MHz

Span 100.000 MHz

1: Mkr (MHz)	dB	2: Mkr (MHz)	dB
1> 208.00	-12.91	1> 208.00	-1.62
2: 214.38	-3.66	2: 214.38	-4.61
3: 201.71	-3.42	3: 201.71	-4.62
4: 158.00	-0.28	4: 158.00	-33.79
5: 258.00	-0.34	5: 258.00	-35.54