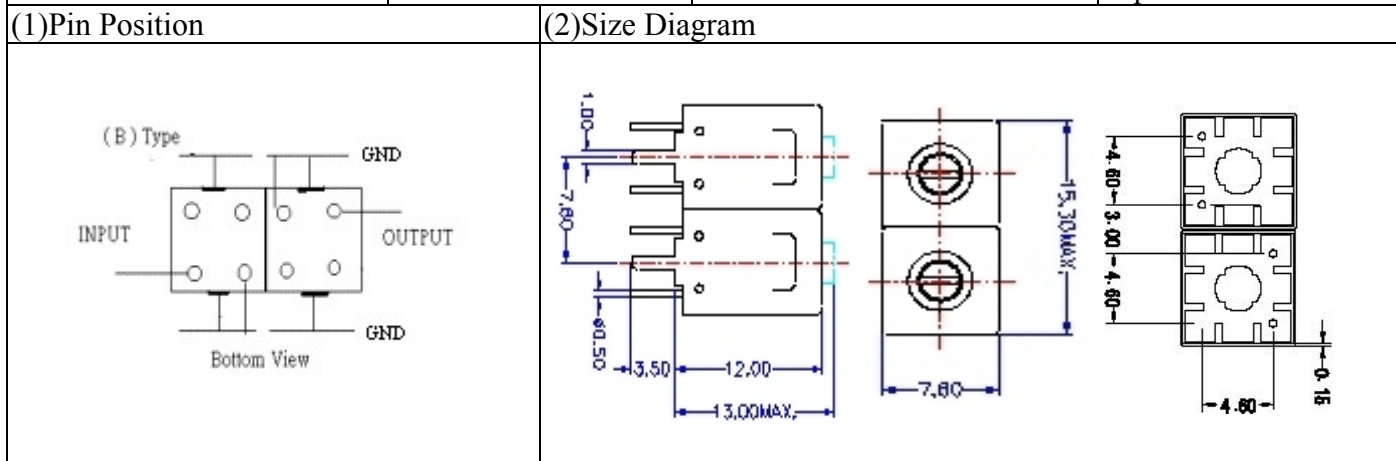


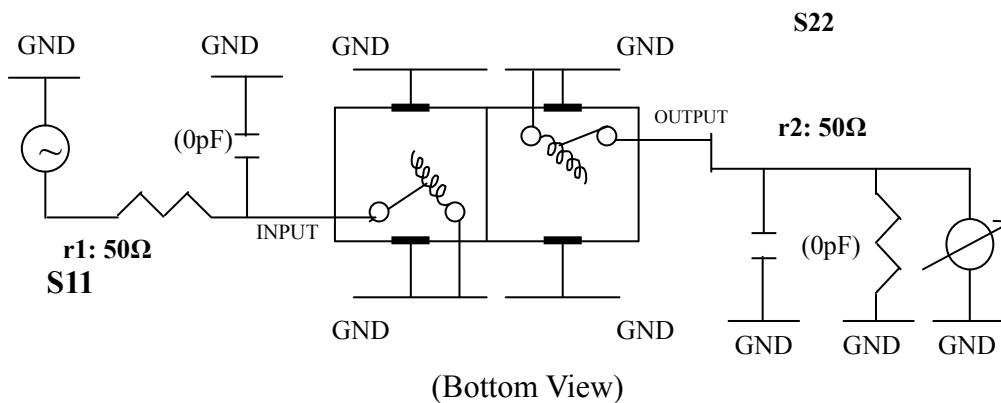
VHF UHF Helical Filter Specification Sheet

Customer Name		Temwell's Part No.	TD6732B-215M
Approval No. /dated	200809072CD	Acceptable Fo Specify Rang	196~220MHz
Work Instruction No.	200809072CD	Date	Sep.16.2008



Item		Specify	Performance
Center Freq.(Fo) +/- 0.75 %		215 MHz	215 MHz
Tunable Range:		215±4 MHz	215±4 MHz
Insertion Loss		Typ. 2.5 dB	1.60 dB
-3 dB Bandwidth		Typ. 8 MHz	9.9 MHz
Sensitivity (Attenuation)	Fo - 20 MHz	Typ. 17 dBc	20 dBc
	Fo + 20 MHz	Typ. 22 dB	25 dBc
	Fo - ()MHz	Typ. dB	dBc
	Fo +()MHz	Typ. dB	dBc
Return Loss		Min. 12 dB	21.1 dB
Ripple		< 1 dB	dB
Impedance		In / Out : 50 Ω	In / Out : 50 Ω
(4) Torque for Tuning Screw		> 100gf · cm	
(5) Temperature Condition:			
Operating Temperature		-30°C ~ +70°C	
Storage Temperature		-30°C ~ +80°C	
(6) Input Power		> 1 Watt	

(7) Measuring Circuit: ※Easy to match Impedance S11/S22 50Ω/ by parallel with about (0) pF.



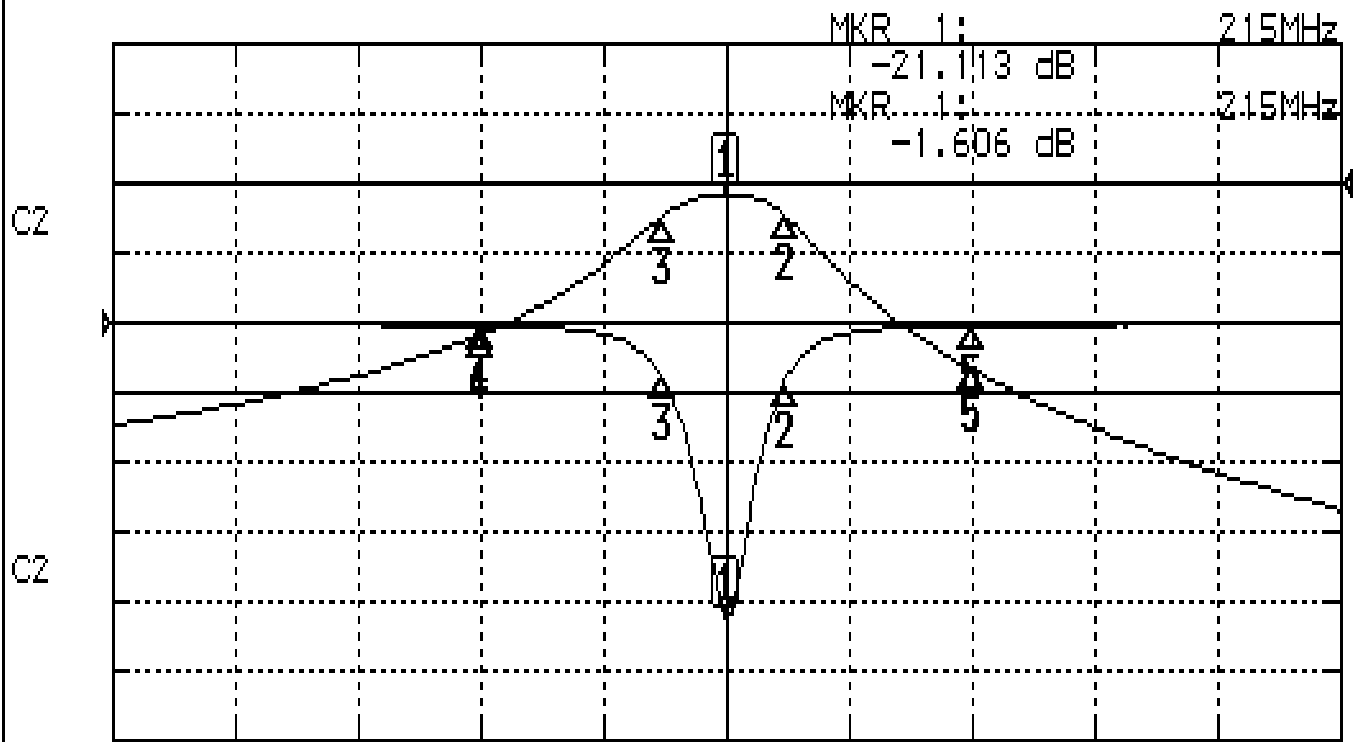
Approval C.Y.Chang	Supervisor C.S.Chang	Designer P.H.Chiang	Aperture size 7H2S(4*5.35F) 7H024LB4
-----------------------	-------------------------	------------------------	--

TEMWELL CORPORATION

Performance-TD6732B-215M

200809072CD

CH1 S11 LOG MAG REF 0.000 dB 5.000 dB/
CH2 S21 LOG MAG REF 0.000 dB 10.000 dB/



CENTER 215MHz

[10.00 dBm]

SPAN 100MHz

CH1 MARKER LIST

Marker	Frequency (MHz)	Magnitude (dB)
1	215.000	-21.113
2	219.750	-4.416
3	209.833	-3.891
4	195.000	-0.215
5	235.000	-0.223

CH2 MARKER LIST

Marker	Frequency (MHz)	Magnitude (dB)
1	215.000	-1.606
2	219.750	-4.643
3	209.833	-4.660
4	195.000	-21.699
5	235.000	-26.654