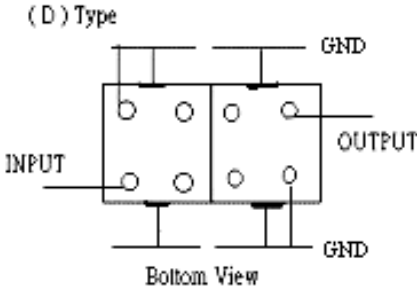
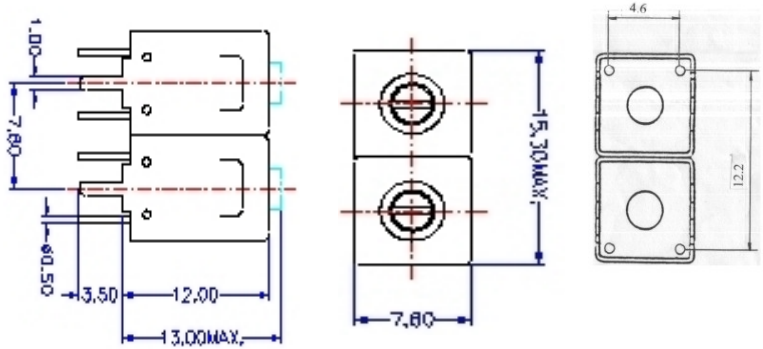


VHF UHF Helical Filter Specification Sheet

Customer Name		Temwell's Part No.	TD67326D-142M
Approval No. /dated	2004015B	Acceptable Specify Fo. Range	126~145MHz
Work Instruction No.	2004015B	Date	Apr.11.2000

(1)Pin Position	(2)Size Diagram
 <p>(D) Type Bottom View INPUT, OUTPUT, GND, GND</p>	 <p>Dimensions: 1.00, 7.80, 0.50, 3.50, 12.00, 13.00MAX, 7.80, 15.30MAX, 4.6, 12.2</p>

(3)Electric Character

Item	Specify	Performance	
Center Freq.(Fo) +/- 0.5 %	142 MHz	142 MHz	
Tunable Range	142±2 MHz	142±2 MHz	
Insertion Loss	Typ. 2.5 dB	1.74 dB	
-3 dB Bandwidth	Typ. 9 MHz	10.3 MHz	
Sensitivity (Attenuation)	Fo - 50 MHz	Typ. 37 dBc	40 dBc
	Fo + 50 MHz	Typ. 33 dBc	36 dBc
	Fo - ()MHz	Typ. dBc	dBc
	Fo +()MHz	Typ. dBc	dBc
Return Loss	Min. 12 dB	22.6 dB	
Ripple	< 1 dB	dB	
Impedance	In / Out : 50 Ω	In / Out : 50 Ω	

(4)Torque for Tuning Screw	> 100gf • cm
----------------------------	--------------

(5)Temperature Condition:

Operating Temperature	0°C ~ +60°C
Storage Temperature	-20°C ~ +70°C

(6)Input Power	> 1Watt
----------------	---------

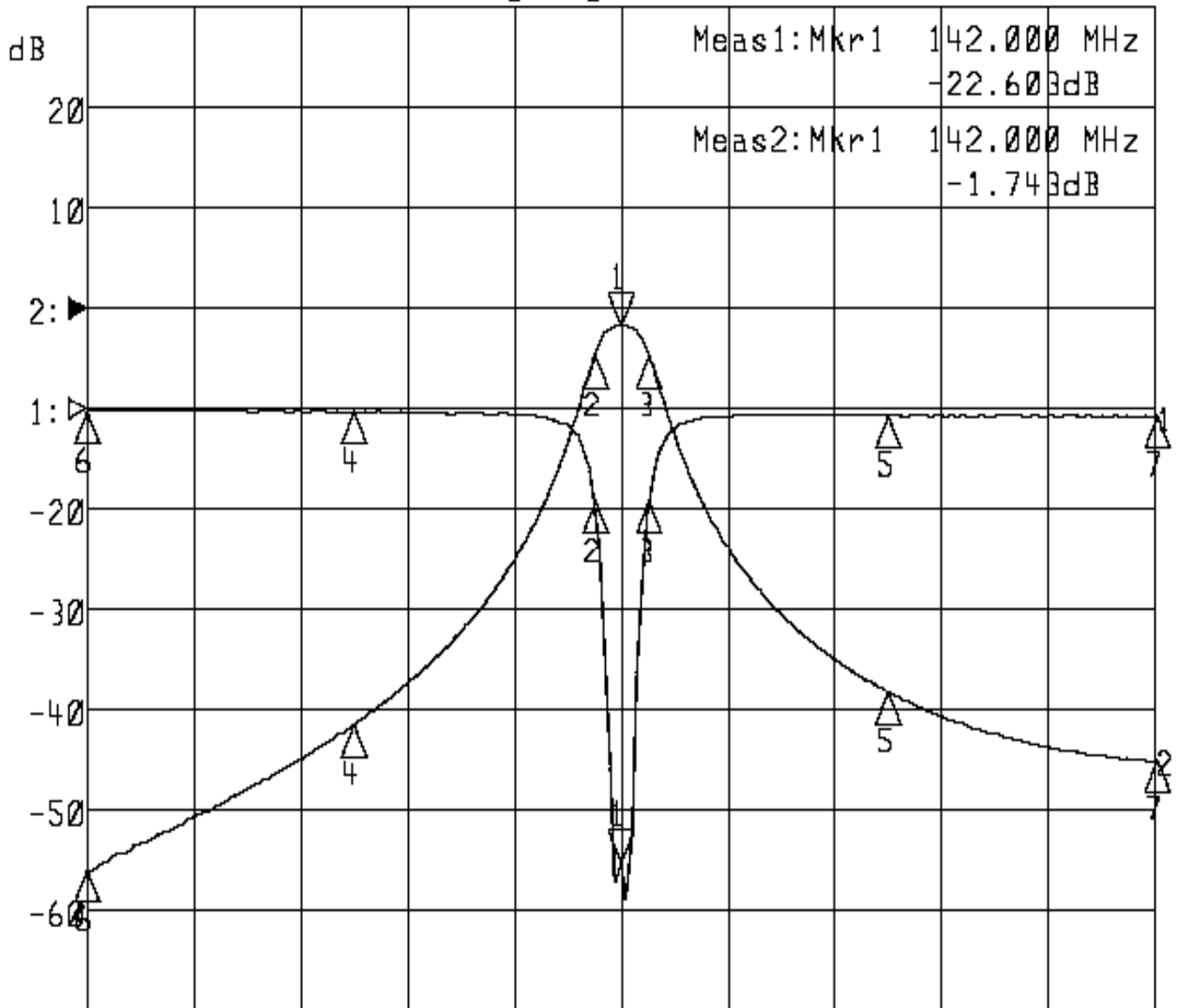
Approval	Supervisor	Designer	Aperture size
C.Y. Chang	C.S. Chang	C.S. Chang	7H2S(4*6.5)F 7H00LB4

TEMWELL CORPORATION

Performance-TD67326D-142M

2004015B

▷1:S11 Refl Port1 Log Mag 5.0 dB/ Ref 0.00 dB C
 ▼2:S21 Fwd Trans Log Mag 10.0 dB/ Ref 0.00 dB C



Center 142.000 MHz

Span 200.000 MHz

1:Mkr (MHz)	dB	2:Mkr (MHz)	dB
1> 142.0000	-22.603	1> 142.0000	-1.743
2: 137.0667	-4.582	2: 137.0667	-4.735
3: 147.3333	-4.612	3: 147.3333	-4.732
4: 92.0000	-0.182	4: 92.0000	-41.510
5: 192.0000	-0.372	5: 192.0000	-38.232
6: 42.0000	-0.094	6: 42.0000	-55.951
7: 242.0000	-0.430	7: 242.0000	-45.086