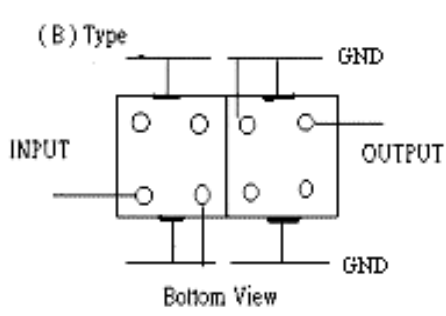
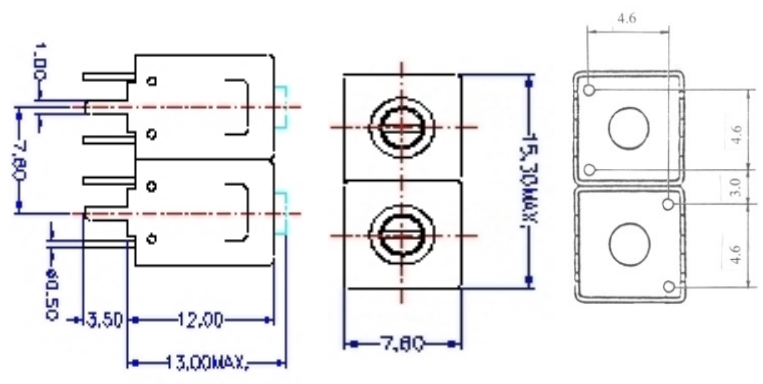


# VHF UHF Helical Filter Specification Sheet

Customer Name		Temwell's Part No.	TD67323B-200M
Approval No. /dated	2008114B	Acceptable Specify Fo. Range	196~220MHz
Work Instruction No.	2008114B	Date	Mar.27.2000

<p>(1) Pin Position</p>  <p style="text-align: center;">Bottom View</p>	<p>(2) Size Diagram</p> 
--	--

(3) Electric Character

Item	Specify	Performance
Center Freq.(Fo ) +/- 0.5 %	200 MHz	200 MHz
Tunable Range	200±4 MHz	200±4 MHz
Insertion Loss	Typ. 3.0 dB	1.78 dB
-3 dB Bandwidth	Typ. 17 MHz	19.6 MHz
Sensitivity (Attenuation)	Fo - 50 MHz	Typ. 21 dBc
	Fo + 50 MHz	Typ. 30 dBc
	Fo - ( )MHz	Typ. dBc
	Fo +( )MHz	Typ. dBc
Return Loss	Min. 12 dB	13.3 dB
Ripple	< 1 dB	1 dB
Impedance	In / Out : 50 Ω	In / Out : 50 Ω
(4) Torque for Tuning Screw	> 100gf • cm	

(5) Temperature Condition:

Operating Temperature	0°C ~ +60°C
Storage Temperature	-20°C ~ +70°C
(6) Input Power	> 1Watt

Approval	Supervisor	Designer	Aperture size
C.Y.Chang	C.S.Chang	C.S.Chang	7H2S(4*4.65)F 7H00LB6

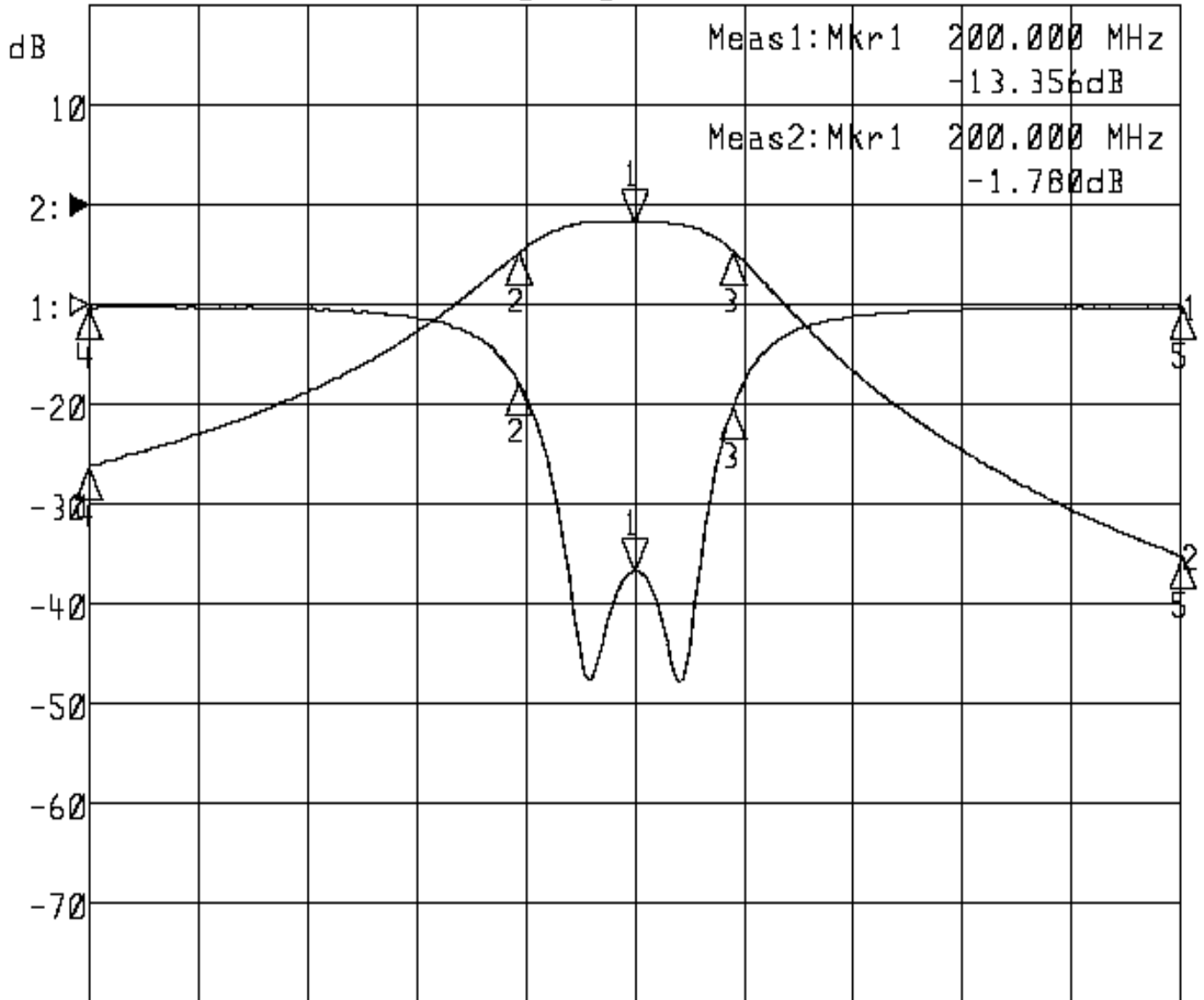
TEMWELL CORPORATION

# Performance-TD67323B-200M

## 2003028D

►1:S11 Refl Port1 Log Mag 5.0 dB/ Ref 0.00 dB C

►2:S21 Fwd Trans Log Mag 10.0 dB/ Ref 0.00 dB C



Center 200.000 MHz

Span 100.000 MHz

1:Mkr (MHz)	dB	2:Mkr (MHz)	dB
1> 200.0000	-13.356	1> 200.0000	-1.780
2: 189.4000	-3.879	2: 189.4000	-4.840
3: 209.0667	-5.074	3: 209.0667	-4.636
4: 150.0000	-0.095	4: 150.0000	-26.148
5: 250.0000	-0.111	5: 250.0000	-35.139