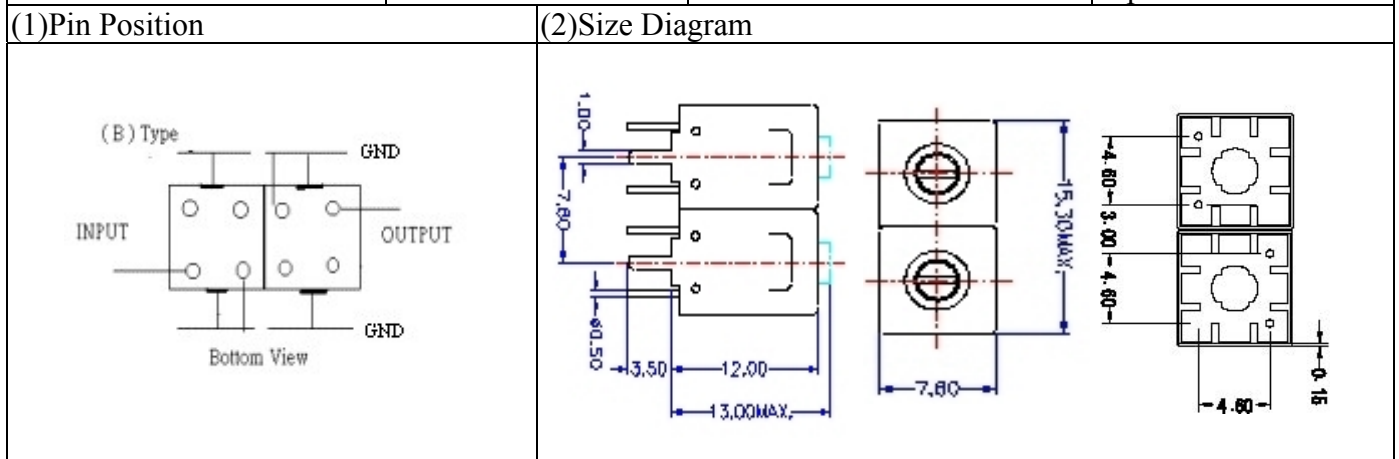


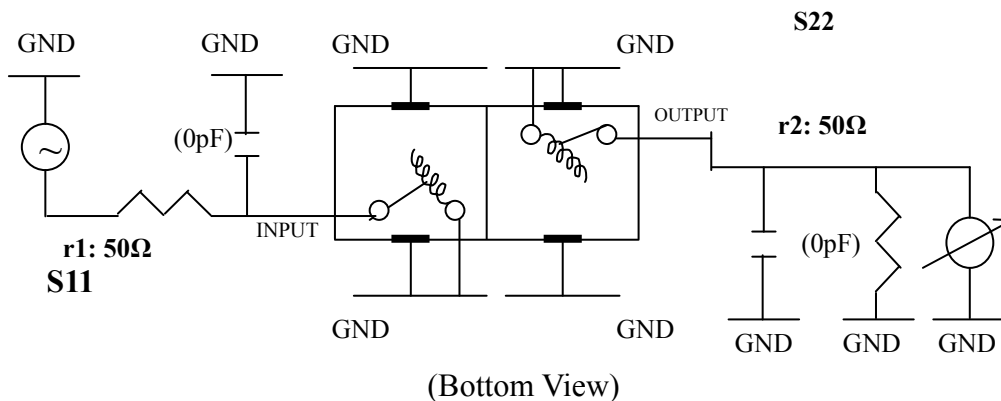
VHF UHF Helical Filter Specification Sheet

Customer Name		Temwell's Part No.	TD6730B-195M
Approval No. /dated	200809071CD	Acceptable Fo Specify Rang	166~195MHz
Work Instruction No.	200809071CD	Date	Sep.16.2008



(3) Electric Characteristic		Specify	Performance
Center Freq.(Fo) +/- 0.75 %		195 MHz	195 MHz
Tunable Range:		195±2 MHz	195±2 MHz
Insertion Loss		Typ. 2.5 dB	1.79 dB
-3 dB Bandwidth		Typ. 6 MHz	8.4 MHz
Sensitivity (Attenuation)	Fo - 20 MHz	Typ. 20 dBc	23 dBc
	Fo + 20 MHz	Typ. 25 dB	28 dBc
	Fo - ()MHz	Typ. dB	dBc
	Fo +()MHz	Typ. dB	dBc
Return Loss		Min. 12 dB	28.2 dB
Ripple		< 1 dB	dB
Impedance		In / Out : 50 Ω	In / Out : 50 Ω
(4) Torque for Tuning Screw		> 100gf • cm	
(5) Temperature Condition:			
Operating Temperature		-30°C ~ +70°C	
Storage Temperature		-30°C ~ +80°C	
(6) Input Power		> 1Watt	

(7) Measuring Circuit: ※Easy to match Impedance S11/S22 50Ω/ by parallel with about (0) pF.

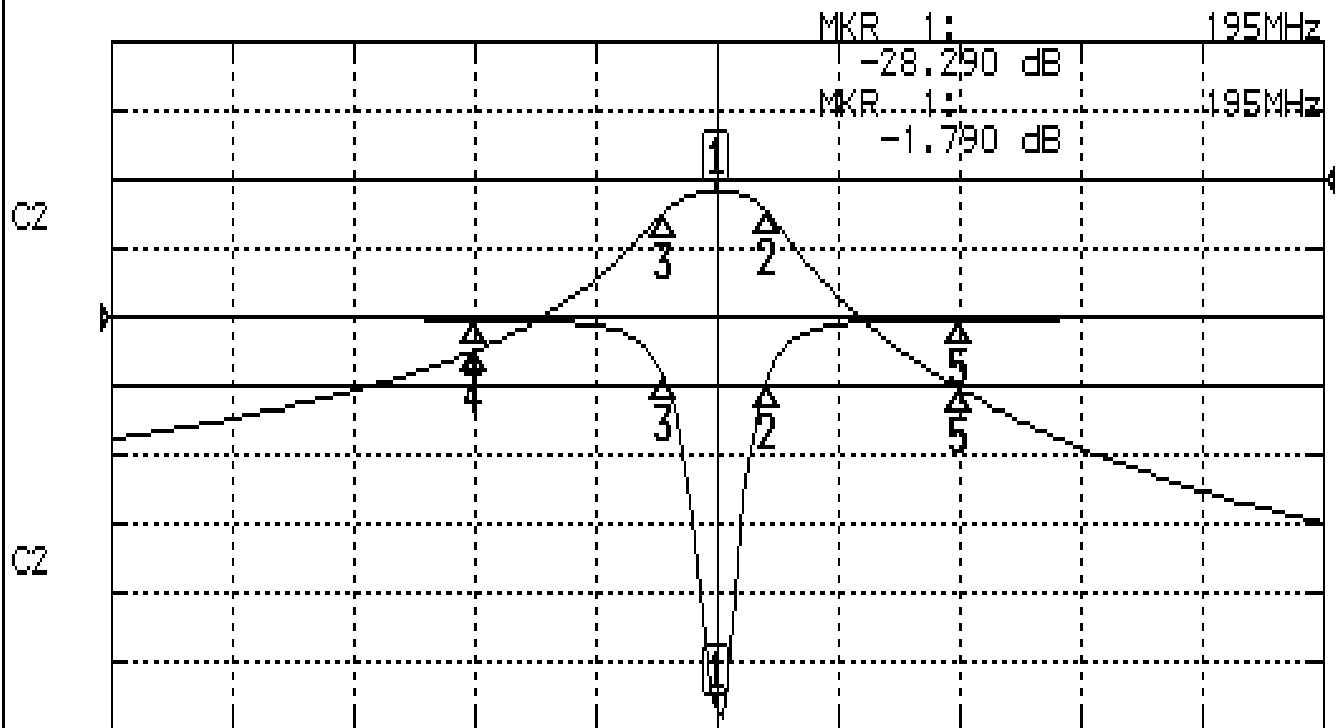


Approval C.Y.Chang	Supervisor C.S.Chang	Designer P.H.Chiang	Aperture size 7H2S(4*5.35F) 7H024LB4
TEMWELL CORPORATION			

Performance-TD6730B-195M

200809071CD

CH1 S11 LOG MAG REF 0.000 dB 5.000 dB/
CH2 S21 LOG MAG REF 0.000 dB 10.000 dB/



CENTER 195MHz

[10.00 dBm]

SPAN 100MHz

CH1 MARKER LIST

1	195.000MHz	-28.290	dB
2	199.083MHz	-4.006	dB
3	190.666MHz	-4.306	dB
4	175.000MHz	-0.180	dB
5	215.000MHz	-0.183	dB

CH2 MARKER LIST

1	195.000MHz	-1.790	dB
2	199.083MHz	-4.706	dB
3	190.666MHz	-4.764	dB
4	175.000MHz	-24.818	dB
5	215.000MHz	-30.407	dB