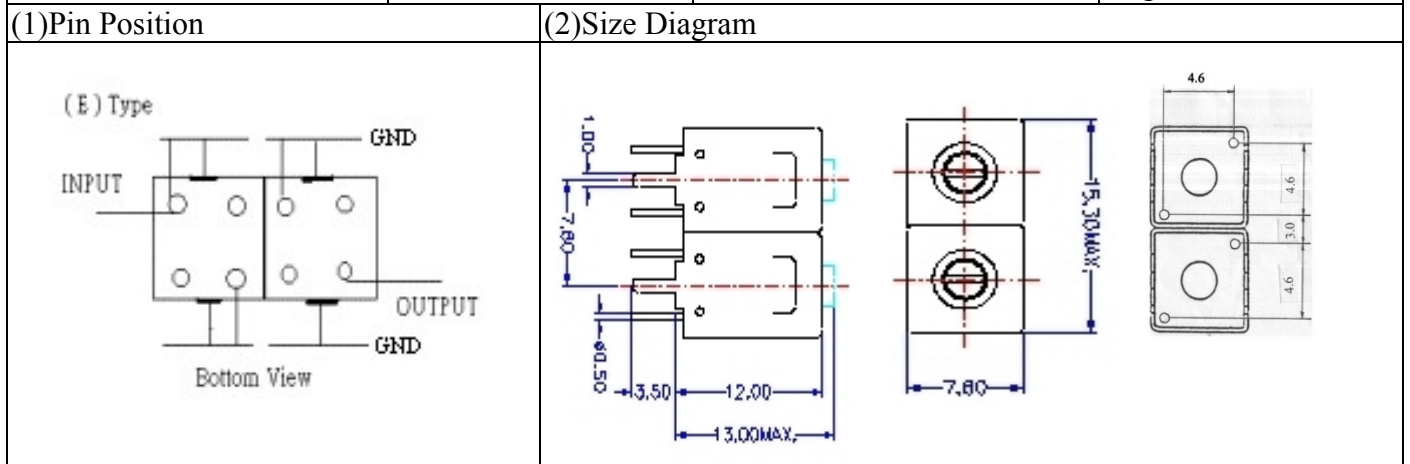


# VHF UHF Helical Filter Specification Sheet

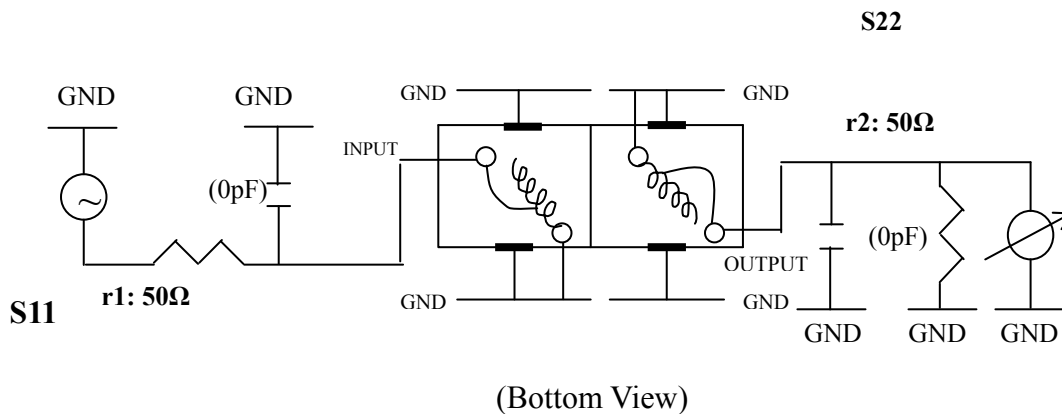
Customer Name		Temwell's Part No.	TD67298E-460M
Approval No. /dated	2003007APR	Acceptable Specify Fo Range	456~515M
Work Instruction No.	2003007D	Date	Aug.08.2006



(3) Electric Characteristic		Item	Specify	Performance
Center Freq.(Fo) +/- 0.5 %			460 MHz	460 MHz
Tunable Range			460±5 MHz	460±5 MHz
Insertion Loss		Typ.	3.0 dB	1.83 dB
-3 dB Bandwidth		Typ.	10 MHz	14.1 MHz
Sensitivity (Attenuation)	Fo - 50 MHz	Typ.	21 dBc	24 dBc
	Fo + 50 MHz	Typ.	42 dBc	45 dBc
	Fo - ( )MHz	Typ.	dBc	dBc
	Fo +( )MHz	Typ.	dBc	dBc
Return Loss		Min.	12 dB	26.4 dB
Ripple			< 1 dB	dB
Impedance			In / Out : 50 Ω	In / Out : 50 Ω

(4) Torque for Tuning Screw		> 100gf · cm
(5) Temperature Condition:		
Operating Temperature	0°C ~ +60°C	
Storage Temperature	-20°C ~ +70°C	
(6) Input Power	> 1Watt	

(7) Measuring Circuit: ※Easy to match Impedance 50Ω by parallel with about (0) pF.

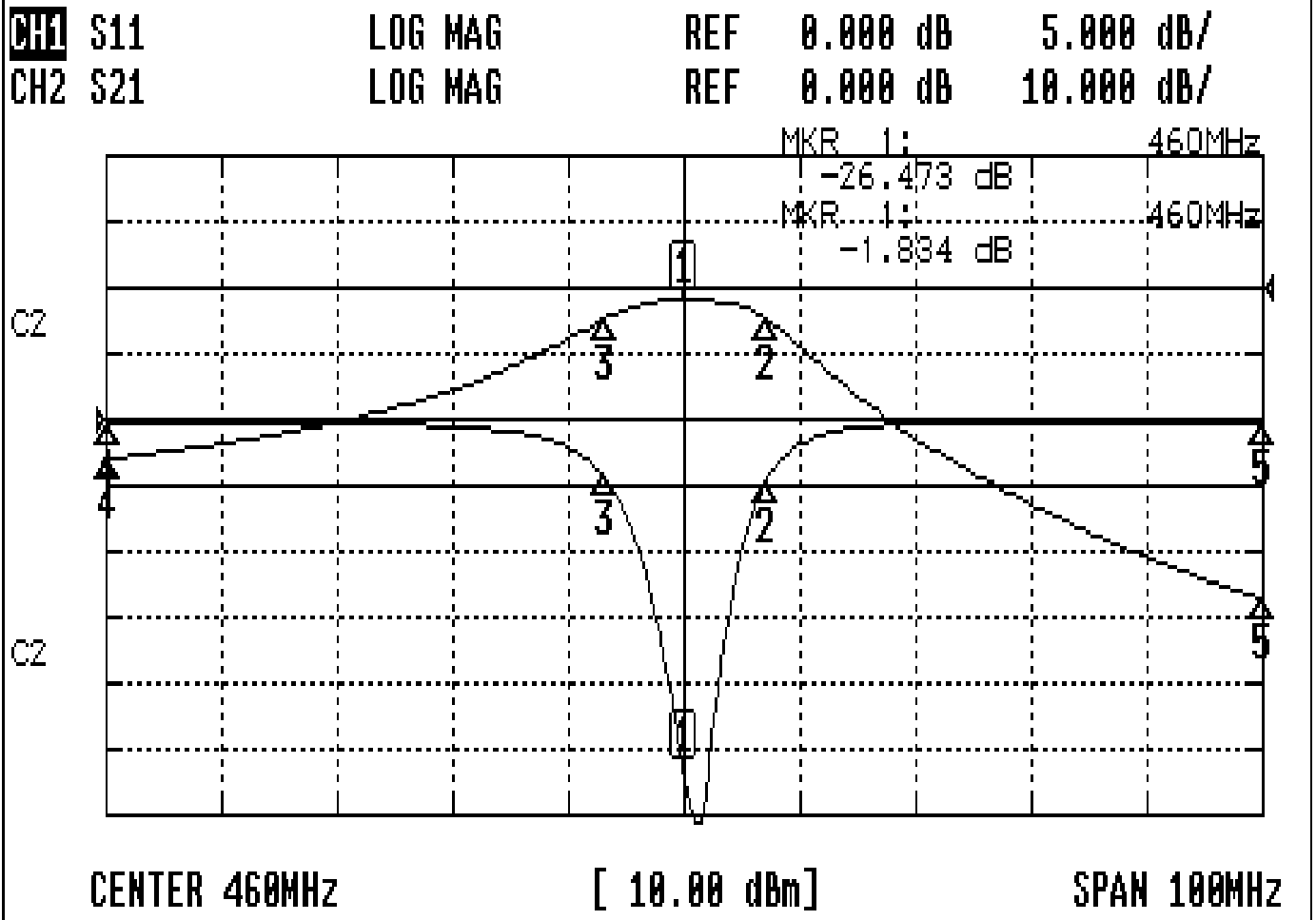


Approval	Supervisor	Designer	Aperture size
C.Y.Chang	C.S.Chang	W.W.Wang	7H2(4*5.5) 7H046LB4

TEMWELL CORPORATION

# Performance-TD67298E-460M

## 2003007D



### CH1 MARKER LIST

1	460.000MHz	-26.473	dB
2	467.166MHz	-4.769	dB
3	453.000MHz	-4.175	dB
4	410.000MHz	-0.190	dB
5	510.000MHz	-0.160	dB

### CH2 MARKER LIST

1	460.000MHz	-1.834	dB
2	467.166MHz	-4.840	dB
3	453.000MHz	-4.816	dB
4	410.000MHz	-25.964	dB
5	510.000MHz	-46.997	dB