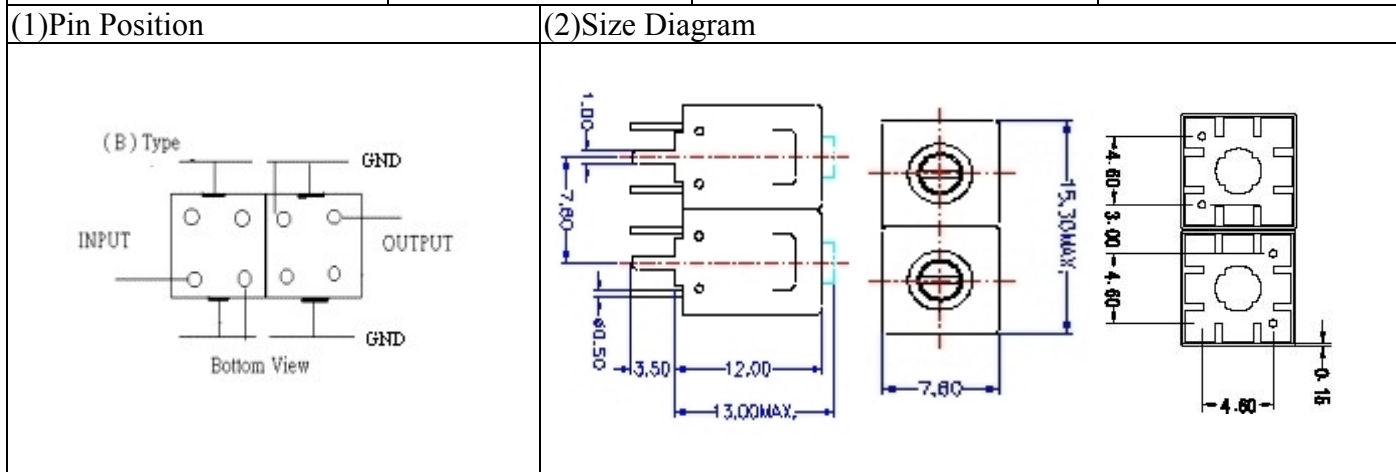


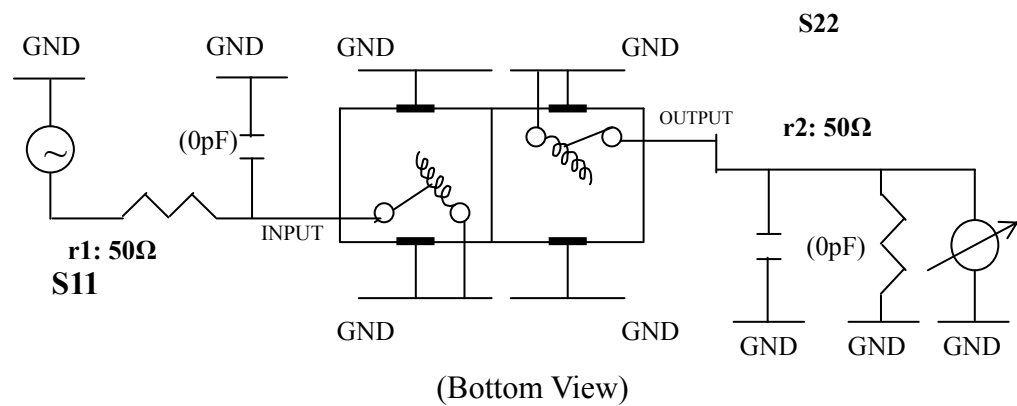
VHF UHF Helical Filter Specification Sheet

Customer Name		Temwell's Part No.	TD67281B-160M
Approval No. /dated	1001039CD	Temwell's Print No.	67381B 160M
Work Instruction No.	201001039CD	Date	Jan.29.2010



Item		Specify	Performance
Center Freq.(Fo) +/- 0.5 %		160 MHz	160 MHz
Insertion Loss		Typ. 2.0 dB	1.32 dB
-3 dB Bandwidth		Typ. 10 MHz	11.4 MHz
Sensitivity (Attenuation)	Fo - 50 MHz	Typ. 34 dBc	37 dBc
	Fo + 50 MHz	Typ. 33 dBc	36 dBc
	Fo - ()MHz	Typ. dB	dBc
	Fo +()MHz	Typ. dB	dBc
Return Loss		Min. 12 dB	20.7 dB
Ripple		< 1 dB	dB
Impedance		In / Out : 50 Ω	In / Out : 50 Ω
(4) Torque for Tuning Screw		> 100gf · cm	
(5) Temperature Condition:			
Operating Temperature		0°C ~ +60°C	
Storage Temperature		-20°C ~ +70°C	
(6) Input Power		> 1 Watt	

(7) Measuring Circuit: ※Easy to match Impedance S11/S22 50Ω by parallel with about (0) pF.



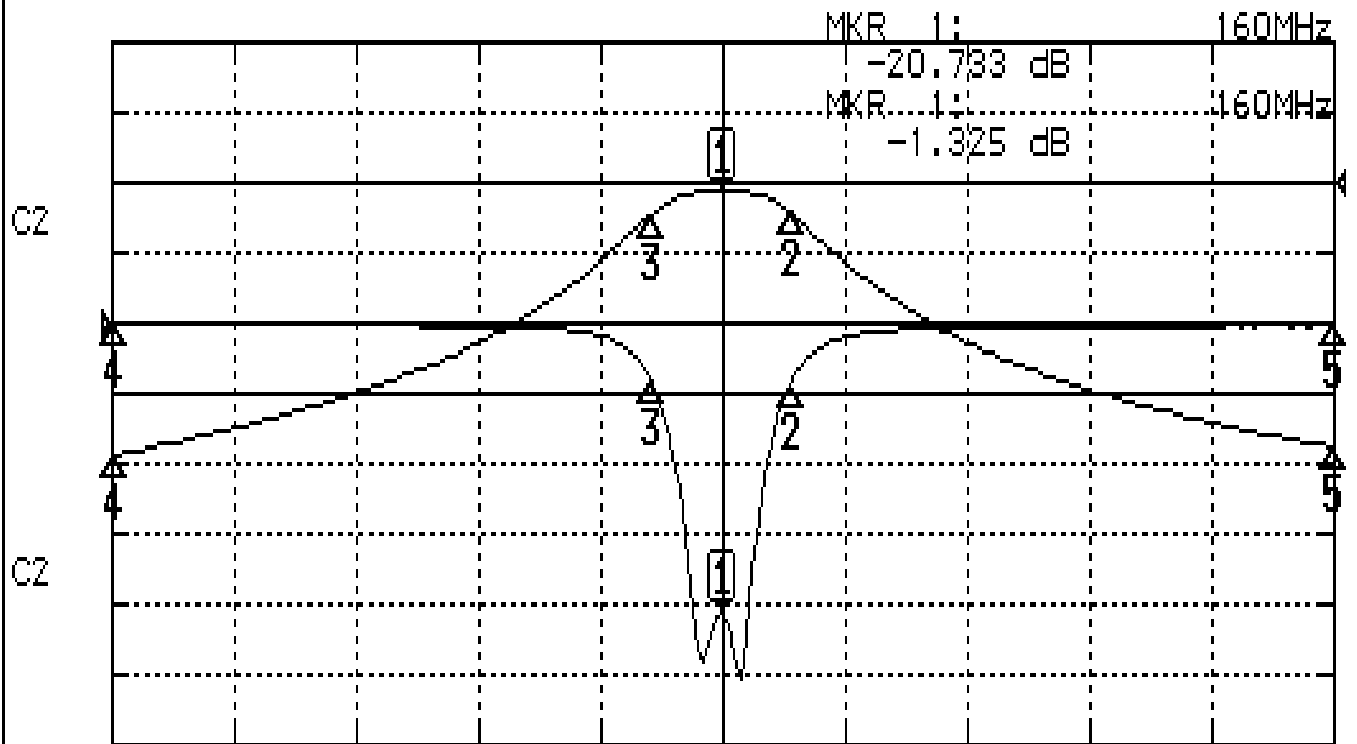
Approval	Supervisor	Designer	Aperture size
C.Y.Chang	C.K.Chang	F.L.Lai	7H2S(4*7.5)(7.55) 7H024RB4

TEMWELL CORPORATION

Performance-TD67281B-160M

201001039CD

CH1 S11 LOG MAG REF 0.000 dB 5.000 dB/
CH2 S21 LOG MAG REF 0.000 dB 10.000 dB/



CENTER 160MHz

[10.00 dBm]

SPAN 100MHz

CH1 MARKER LIST

1	160.000MHz	-20.733 dB
2	165.583MHz	-4.254 dB
3	154.166MHz	-4.017 dB
4	110.000MHz	-0.107 dB
5	210.000MHz	-0.141 dB

CH2 MARKER LIST

1	160.000MHz	-1.325 dB
2	165.583MHz	-4.316 dB
3	154.166MHz	-4.392 dB
4	110.000MHz	-38.834 dB
5	210.000MHz	-37.585 dB