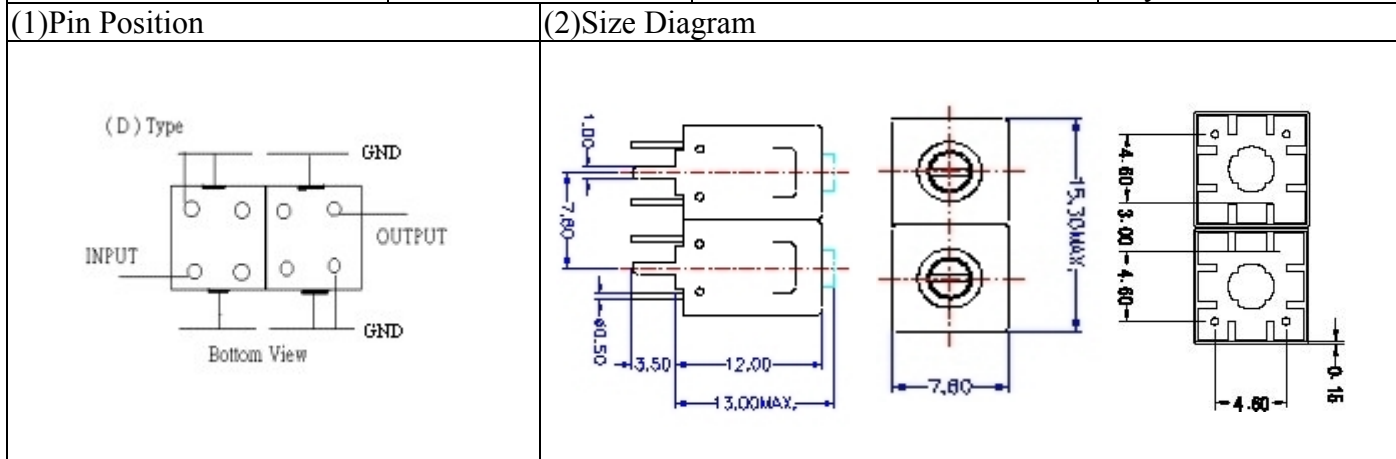


VHF UHF Helical Filter Specification Sheet

Customer Name		Temwell's Part No.	TD6727D-140M
Approval No. /dated	201105038CD	Temwell's print Name.	6727D 140M
Work Instruction No.	201105038CD	Date	May.03.2010



(3) Electric Charasteric

Item	Specify	Performance	
Center Freq.(Fo) +/- 0.5 %	140 MHz	140 MHz	
Insertion Loss	Typ. 3.5 dB	1.75 dB	
-3 dB Bandwidth	Typ. 5 MHz	7.6 MHz	
Sensitivity (Attenuation)	Fo - 30 MHz	Typ. 29 dBc	34 dBc
	Fo + 30 MHz	Typ. 31 dBc	34 dBc
	Fo - ()MHz	Typ. dBc	dBc
	Fo +()MHz	Typ. dBc	dBc
Return Loss	Min. 12 dB	26.1 dB	
Ripple	< 1 dB	dB	
Impedance	In / Out : 50 Ω	In / Out : 50 Ω	

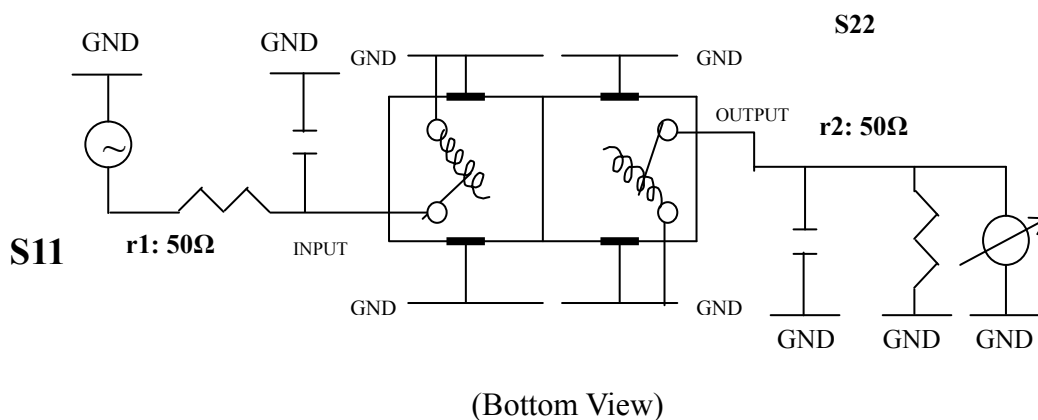
(4) Torque for Tuning Screw > 60gf · cm

(5) Temperature Condition:

Operating Temperature	0°C ~ +60°C
Storage Temperature	-20°C ~ +70°C

(6) Input Power > 1 Watt

(7) Measuring Circuit: ※Easy to match Impedance 50Ω by parallel with about ()



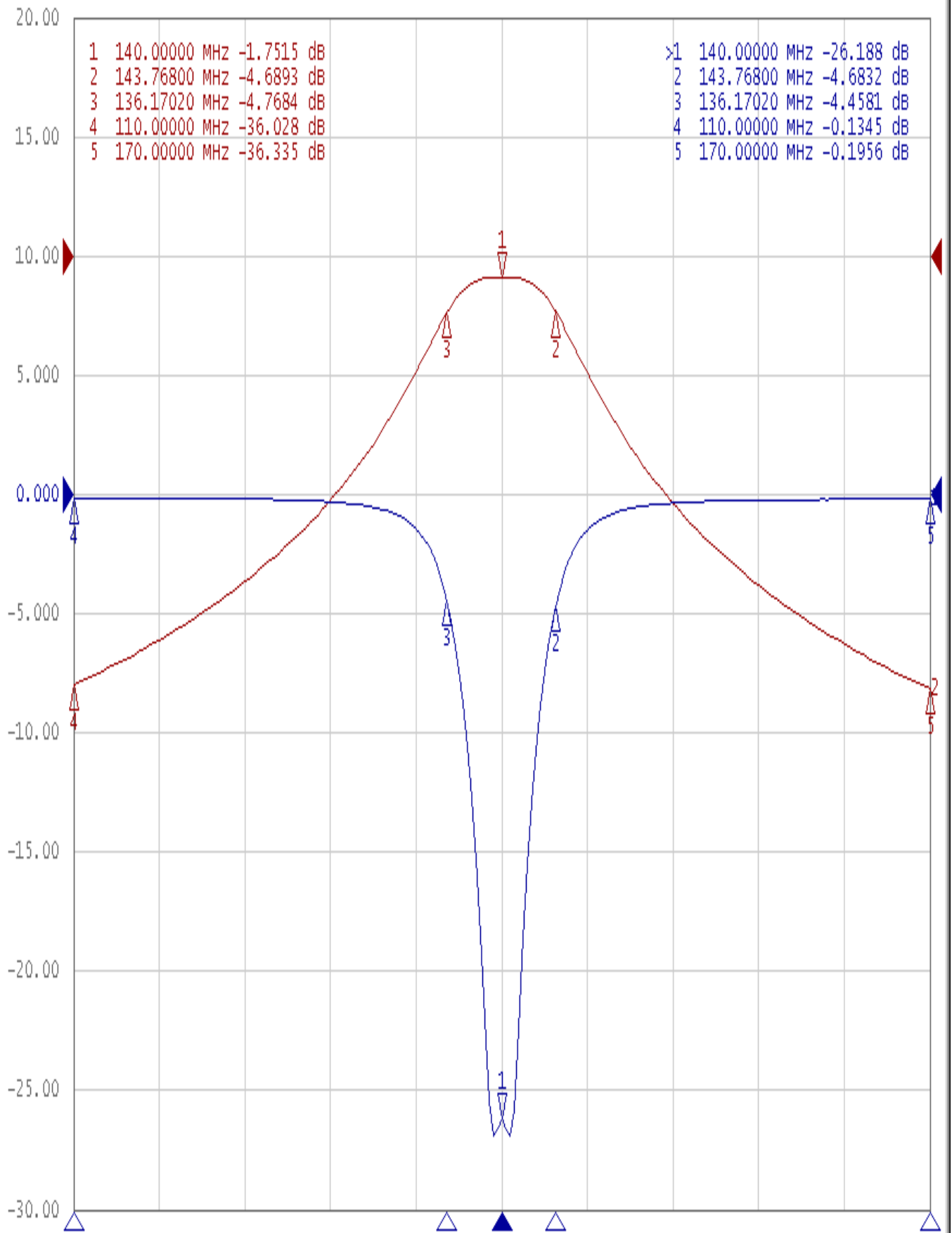
Approval	Supervisor	Designer	Aperture size
C.Y.Chang	C.S.Chang	P.H.Chiang	7H2S(4*6.35)(6.43) 7H024RB4

TEMWELL CORPORATION

Performance-TD6727D-140M

201105038CD

Tr1 S11 Log Mag 5.000dB/ Ref 0.000dB [F2]
Tr2 S21 Log Mag 10.00dB/ Ref 0.000dB [F2]



1 Center 140 MHz

IFBW 70 kHz

Span 60 MHz Cor |