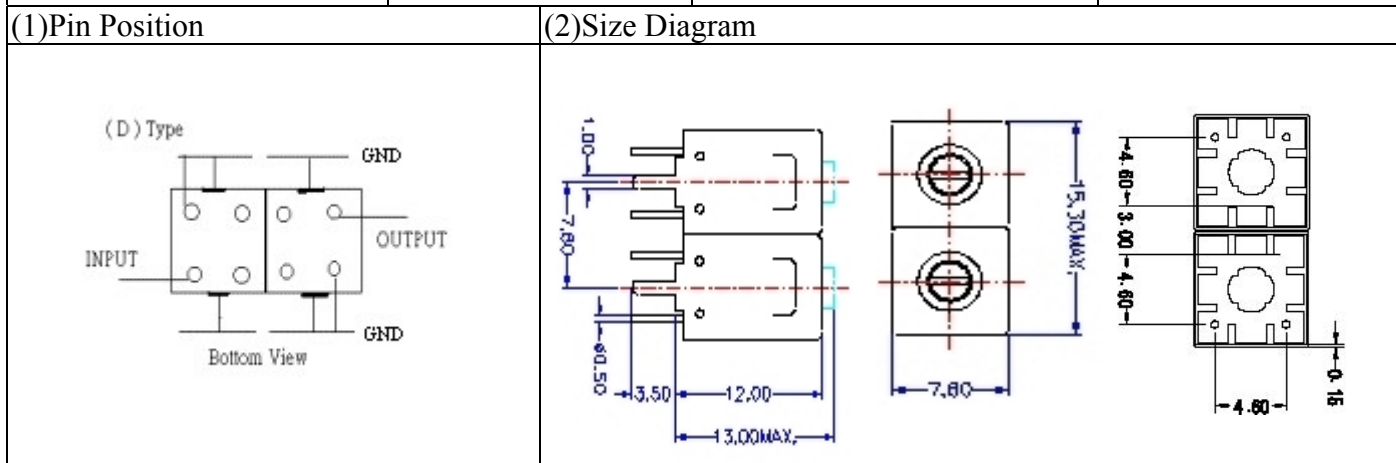


# VHF UHF Helical Filter Specification Sheet

Customer Name		Temwell's Part No.	TD67255D-775M
Approval No. /dated	0901062CD	Customer's Part No.	751~800MHz
Work Instruction No.	200901062CD	Date	Jan.23.2009



(3) Electric Charasteric

Item	Specify	Performance	
Center Freq.(Fo) +/- 0.5 %	775 MHz	775 MHz	
Tunable Range:	775±5 MHz	775±5 MHz	
Insertion Loss	Typ. 2.5 dB	2.12 dB	
-3 dB Bandwidth	Typ. 16 MHz	22.4 MHz	
Sensitivity (Attenuation)	Fo - 50 MHz	Typ. 23 dBc	26 dBc
	Fo + 50 MHz	Typ. 18 dBc	21 dBc
	Fo - ( )MHz	Typ. dBc	dBc
	Fo +( )MHz	Typ. dBc	dBc
Return Loss	Min. 12 dB	32.5 dB	
Ripple	< 1 dB	dB	
Impedance	In / Out : 50 Ω	In / Out : 50 Ω	

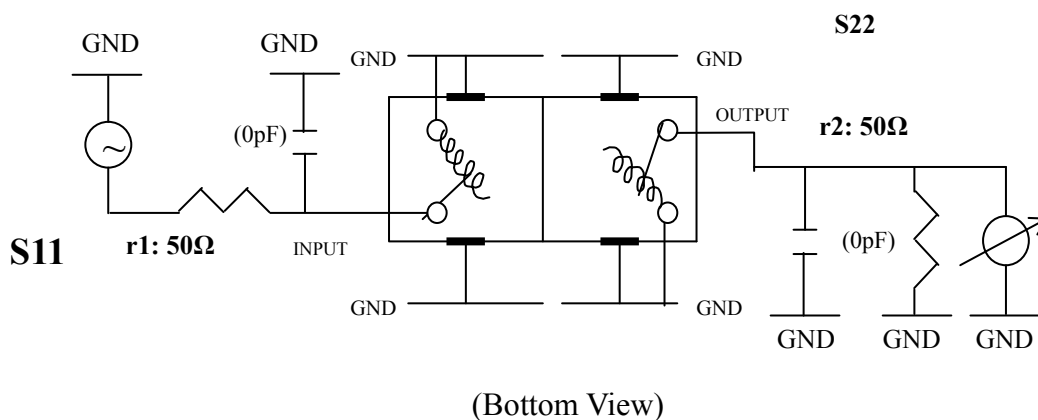
(4) Torque for Tuning Screw > 100gf · cm

(5) Temperature Condition:

Operating Temperature	0°C ~ +60°C
Storage Temperature	-20°C ~ +70°C

(6) Input Power > 1 Watt

(7) Measuring Circuit: ※Easy to match Impedance 50Ω by parallel with about ( 0pF)/(0pF)

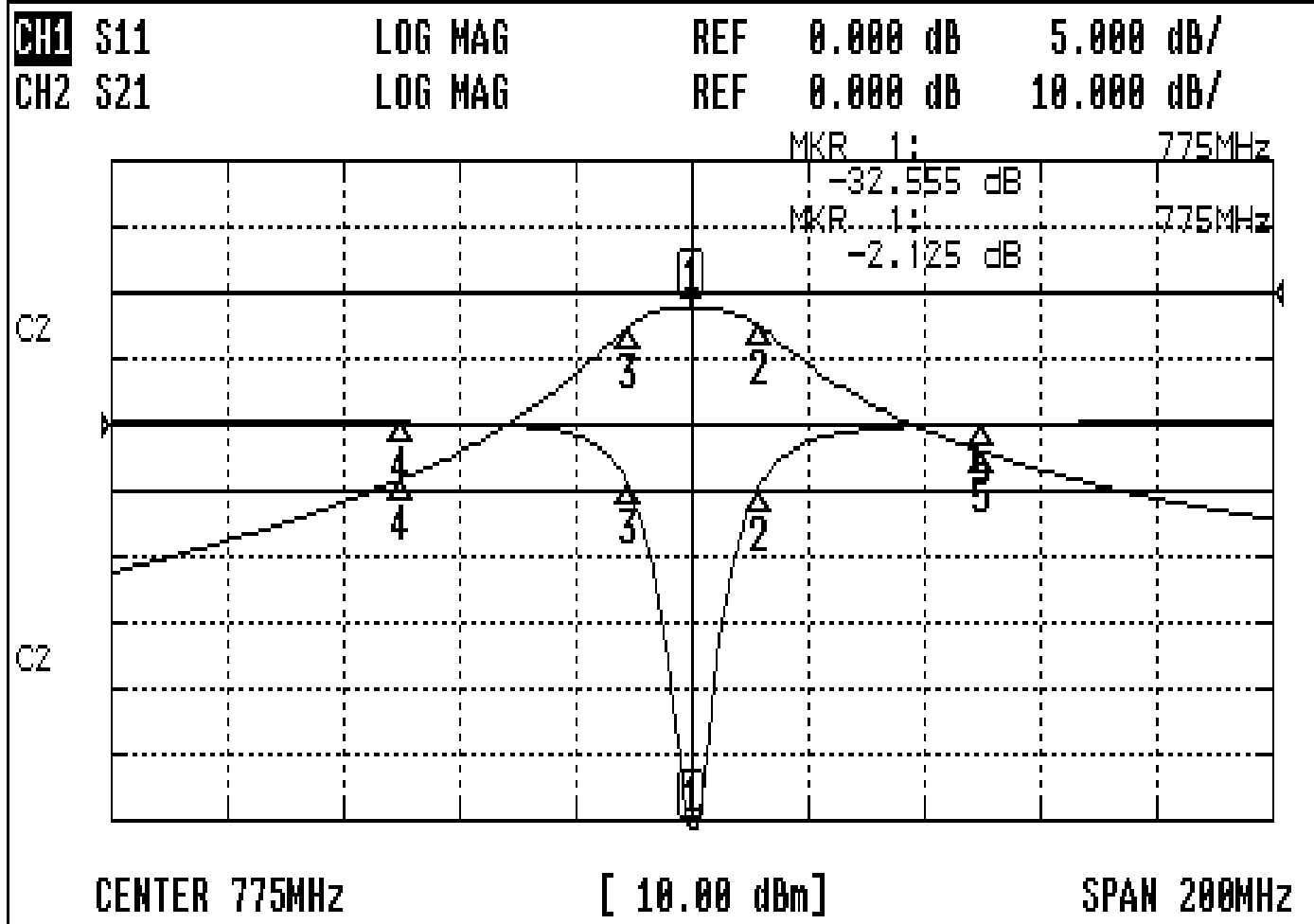


Approval	Supervisor	Designer	Aperture size
C.Y.Chang	C.K.Chang	C.H.Yeh	7H2S(4*4.5)(4.51) (7H046LB4.3 聚 3)

TEMWELL CORPORATION

# Performance-TD67255D-775M

## 200901062CD



### CH1 MARKER LIST

1	775.000MHz	-32.555	dB
2	786.500MHz	-4.914	dB
3	764.166MHz	-4.607	dB
4	725.000MHz	0.154	dB
5	825.000MHz	0.047	dB

### CH2 MARKER LIST

1	775.000MHz	-2.125	dB
2	786.500MHz	-5.125	dB
3	764.166MHz	-5.169	dB
4	725.000MHz	-28.233	dB
5	825.000MHz	-24.031	dB