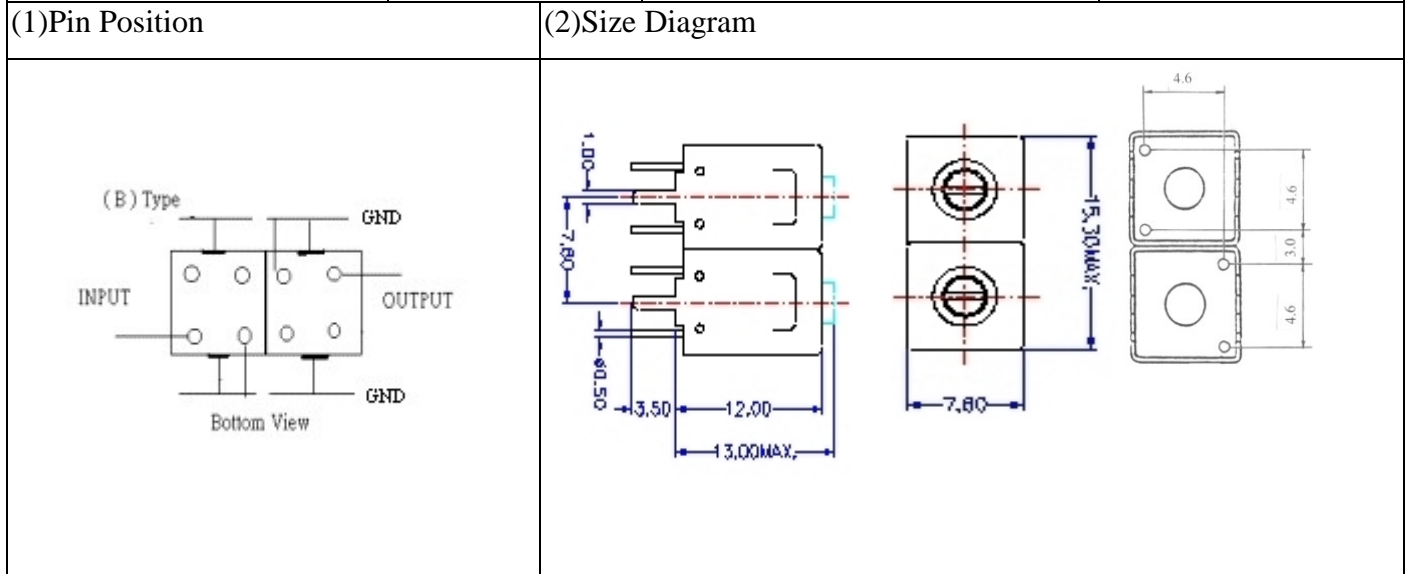


VHF UHF Helical Filter Specification Sheet

Customer Name		Temwell's Part No.	TD6721B-304M
Approval No. /dated	20106047B	Acceptable Specify Fo. Range	276~310M
Work Instruction No.	20106047B	Date	June.22.2001



(3)Electric Charasteric

Item	Specify	Performance	
Center Freq.(Fo) +/- 0.5 %	304 MHz	304 MHz	
Tunable Range	304±4 MHz	304±4 MHz	
Insertion Loss	Typ. 2.5 dB	1.49 dB	
-3 dB Bandwidth	Typ. 10 MHz	14.0 MHz	
Sensitivity (Attenuation)	Fo - 50 MHz	Typ. 28 dBc	30 dBc
	Fo + 50 MHz	Typ. 40 dBc	42 dBc
	Fo - ()MHz	Typ. dBc	dBc
	Fo +()MHz	Typ. dBc	dBc
Return Loss	Min. 12 dB	20.2 dB	
Ripple	< 1 dB	dB	
Impedance	In / Out : 50 Ω	In / Out : 50 Ω	

(4)Torque for Tuning Screw > 100gf • cm

(5)Temperature Condition:

Operating Temperature	0°C ~ +60°C
Storage Temperature	-20°C ~ +70°C

(6)Input Power > 1 Watt

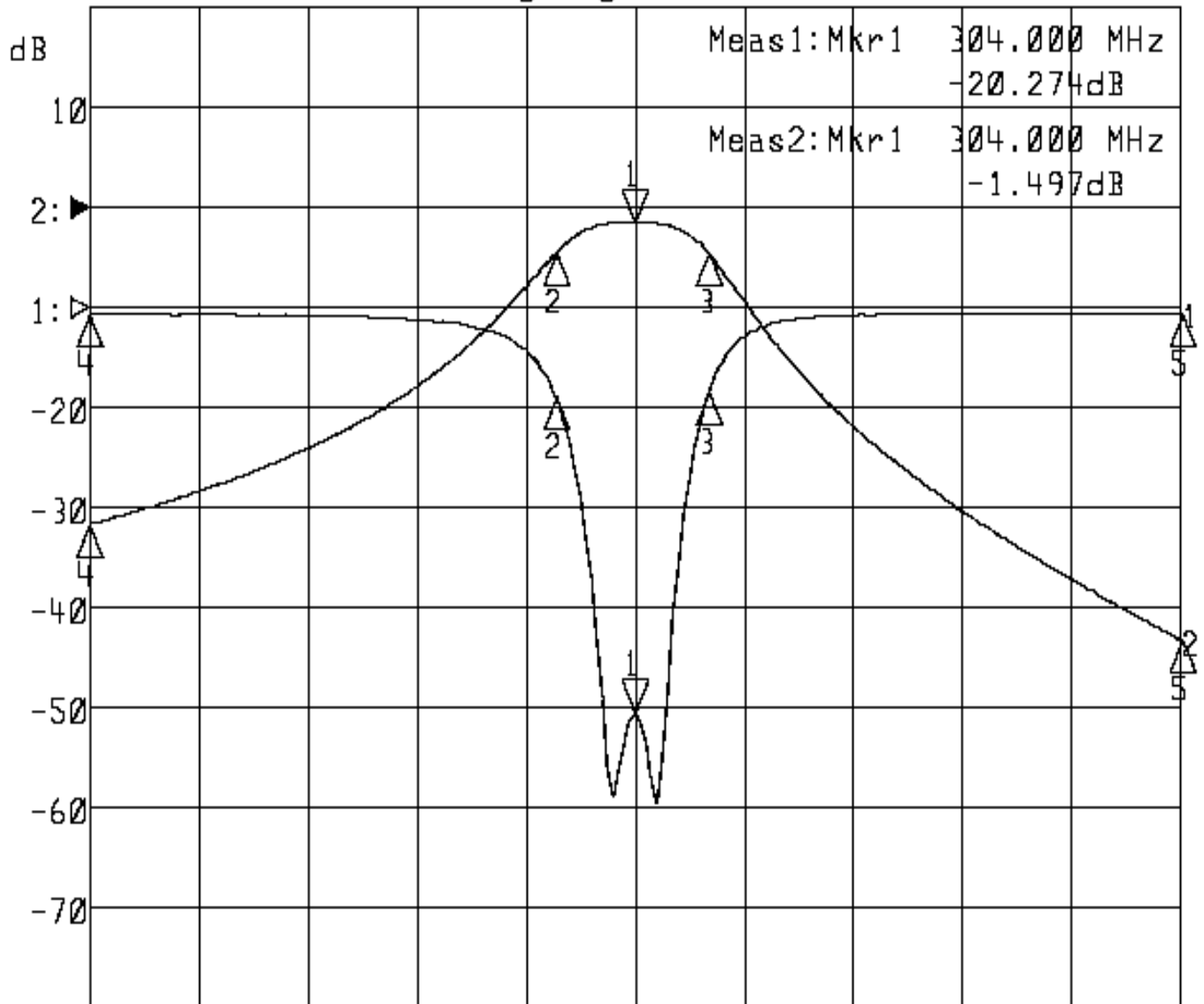
Approval	Supervisor	Designer	Aperture size
C. Y. Chang	C.S. Chang	C. S. Chang	7H2S(4*6.5) 7H046LB4

TEMWELL CORPORATION

Performance- TD6721B-304M

20106047B

►1:S11 Refl Port1 Log Mag 5.0 dB/ Ref 0.00 dB C
►2:S21 Fwd Trans Log Mag 10.0 dB/ Ref 0.00 dB C



Center 304.000 MHz

Span 100.000 MHz

1:Mkr (MHz)	dB	2:Mkr (MHz)	dB
1> 304.0000	-20.274	1> 304.0000	-1.497
2: 296.7333	-4.455	2: 296.7333	-4.569
3: 310.7667	-4.220	3: 310.7667	-4.560
4: 254.0000	-0.331	4: 254.0000	-31.652
5: 354.0000	-0.320	5: 354.0000	-43.309