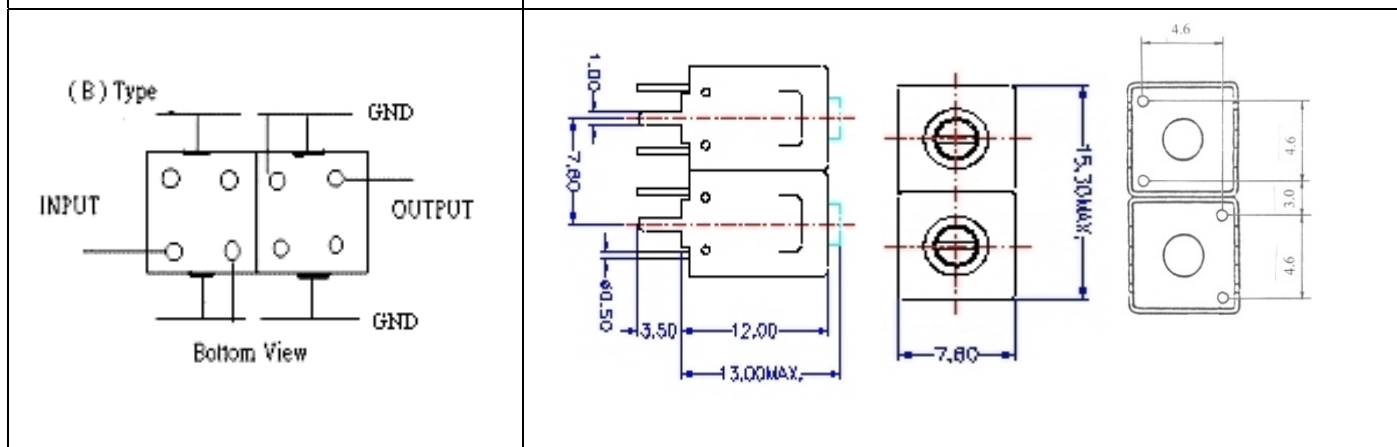


VHF UHF Helical Filter Specification Sheet

Customer Name		Temwell's Part No.	TD67209B-330M
Approval No. /dated	20311017B	Acceptable Specify Fo. Range	311~355MHz
Work Instruction No.	20311017B	Date	Nov.07.2003

(1)Pin Position	(2)Size Diagram
-----------------	-----------------



(3)Electric Character

Item	Specify	Performance
Center Freq.(Fo) +/- 0.5 %	330 MHz	330 MHz
Tunable Range	330±4 MHz	330±4 MHz
Insertion Loss	Typ. 2.0 dB	1.16 dB
-3 dB Bandwidth	Typ. 17 MHz	20.3 MHz
Sensitivity (Attenuation)	Fo - 50 MHz	Typ. 21 dBc
	Fo + 50 MHz	Typ. 25 dBc
	Fo - ()MHz	Typ. dBc
	Fo +()MHz	Typ. dBc
Return Loss	Min. 12 dB	21.7 dB
Ripple	< 1 dB	1 dB
Impedance	In / Out : 50 Ω	In / Out : 50 Ω

(4)Torque for Tuning Screw	> 100gf • cm
----------------------------	--------------

(5)Temperature Condition:

Operating Temperature	0°C ~ +60°C
Storage Temperature	-20°C ~ +70°C

(6)Input Power	> 1Watt
----------------	---------

Approval	Supervisor	Designer	Aperture size
C.Y.Chang	C.S.Chang	W.W.Wang	7H2S,4*7.5(4*7.35) 7H046LB4 聚 3

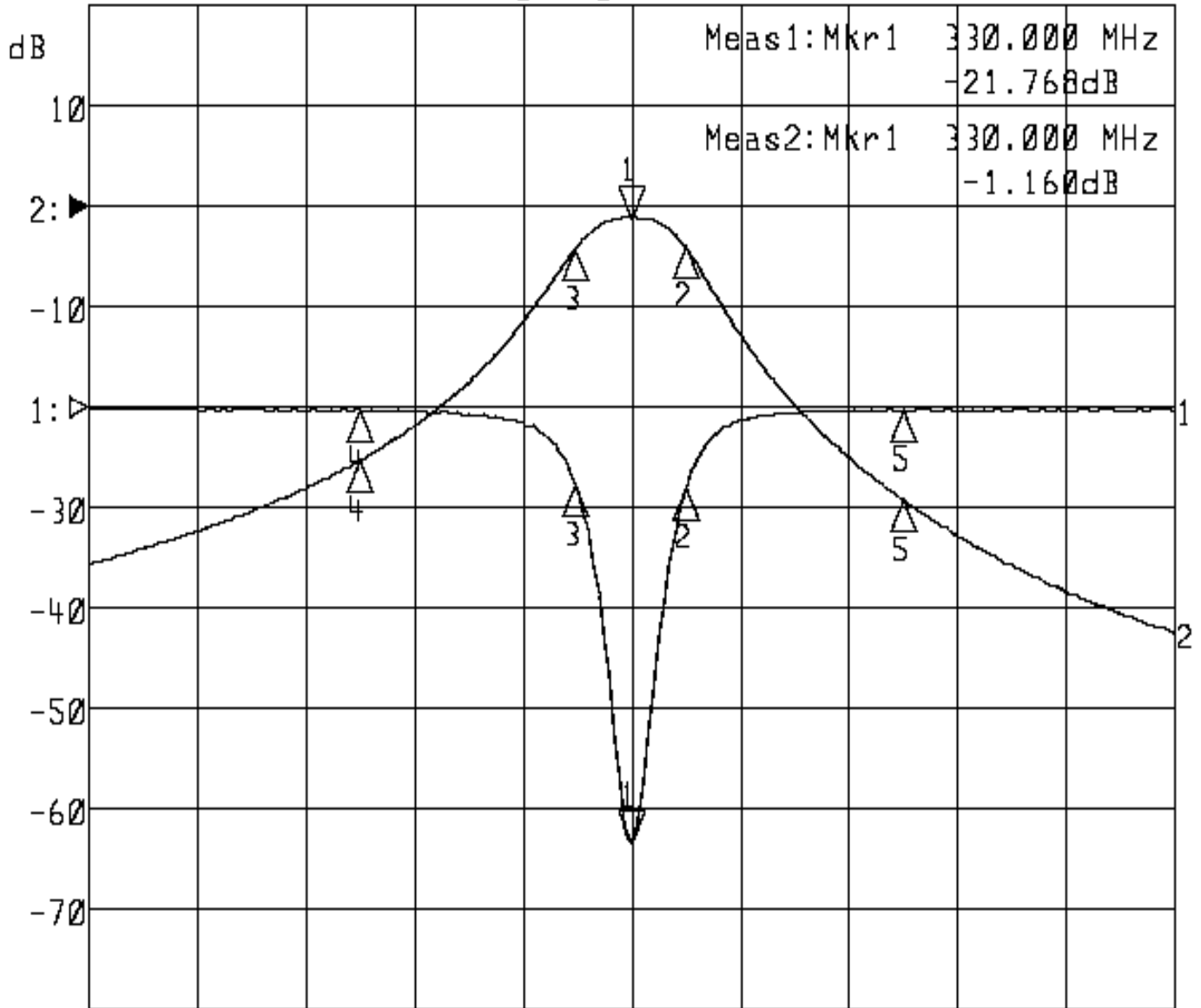
TEMWELL CORPORATION

Performance-TD67209B-330M

20311017B

▷1:S11 Refl Port1 Log Mag 5.0 dB/ Ref 0.00 dB C

▶2:S21 Fwd Trans Log Mag 10.0 dB/ Ref 0.00 dB C



Meas1:Mkr1	330.000 MHz
	-21.768 dB
Meas2:Mkr1	330.000 MHz
	-1.160 dB

Center 330.000 MHz

Span 200.000 MHz

1:Mkr (MHz)	dB	2:Mkr (MHz)	dB
1> 330.0000	-21.768	1> 330.0000	-1.160
2: 340.0000	-3.991	2: 340.0000	-4.103
3: 319.7333	-3.848	3: 319.7333	-4.140
4: 280.0000	-0.167	4: 280.0000	-25.305
5: 380.0000	-0.185	5: 380.0000	-29.241