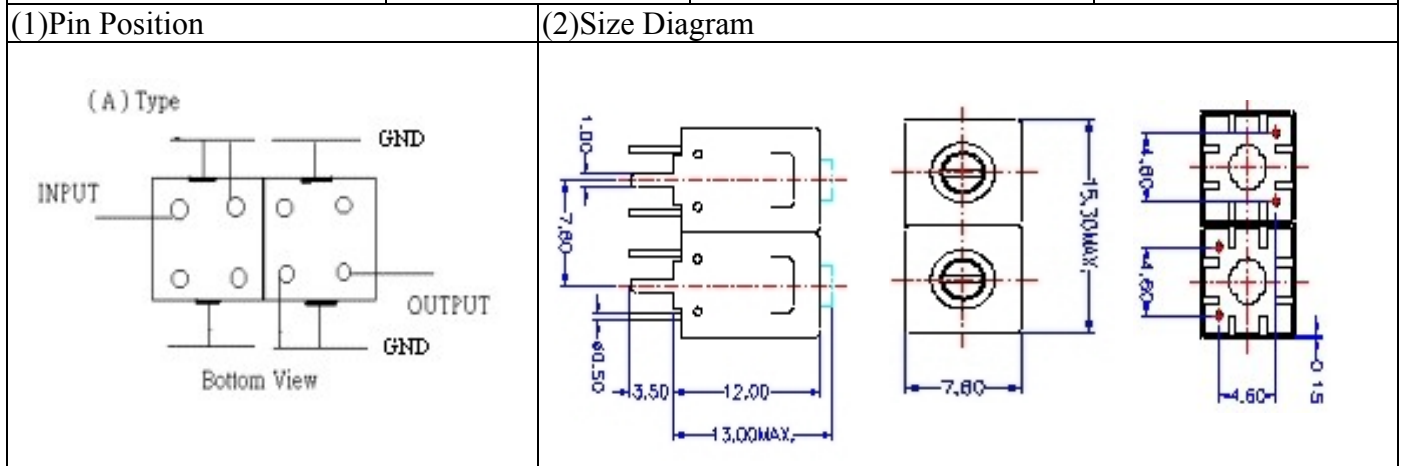


VHF UHF Helical Filter Specification Sheet

Customer Name		Temwell's Part No.	TD67203A-140M
Approval No. /dated	20507001APR	Acceptable Specify Fo. Range	126~145MHz
Work Instruction No.	20507001B	Date	Jul.15.2005



(3) Electric Characteristic

Item	Specify	Performance	
Center Freq.(Fo) +/- 0.5 %	140 MHz	140 MHz	
Tunable Range	140±2 MHz	140±2 MHz	
Insertion Loss	Typ. 3 dB	1.83 dB	
-3 dB Bandwidth	Typ. 8 MHz	9.9 MHz	
Sensitivity (Attenuation)	Fo - 20 MHz	Typ. 20 dBc	23 dBc
	Fo + 20 MHz	Typ. 19 dBc	22 dBc
	Fo - ()MHz	Typ. dBc	dBc
	Fo +()MHz	Typ. dBc	dBc
Return Loss	Min. 12 dB	27.4 dB	
Ripple	< 1 dB	dB	
Impedance	In / Out : 50 Ω	In / Out : 50 Ω	

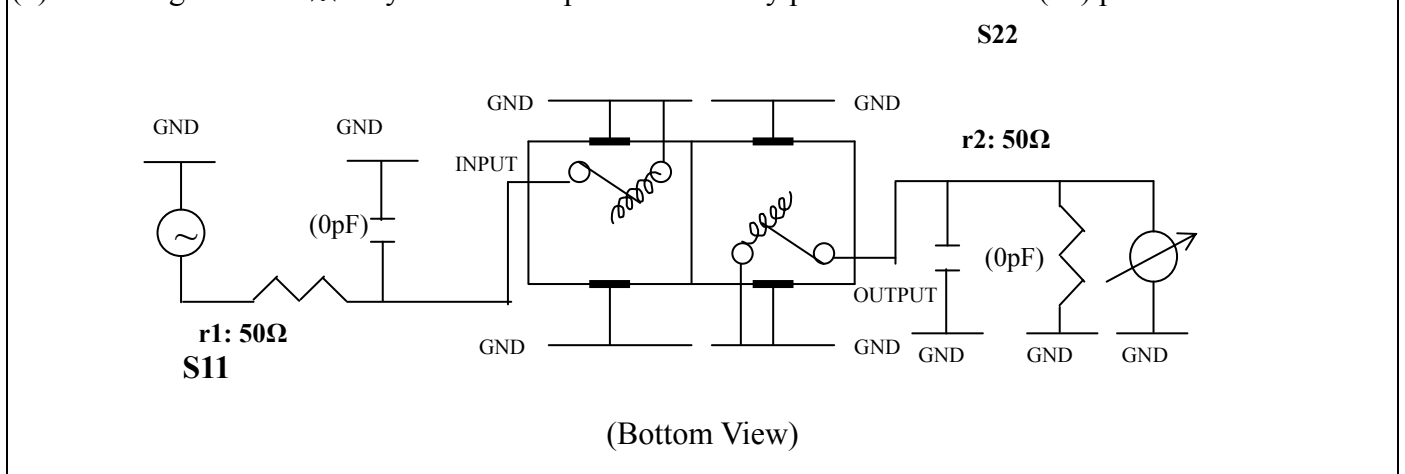
(4) Torque for Tuning Screw > 100gf · cm

(5) Temperature Condition:

Operating Temperature	0°C ~ +60°C
Storage Temperature	-20°C ~ +70°C

(6) Input Power > 1Watt

(7) Measuring Circuit: ※Easy to match Impedance 50Ω/ by parallel with about (0) pF.

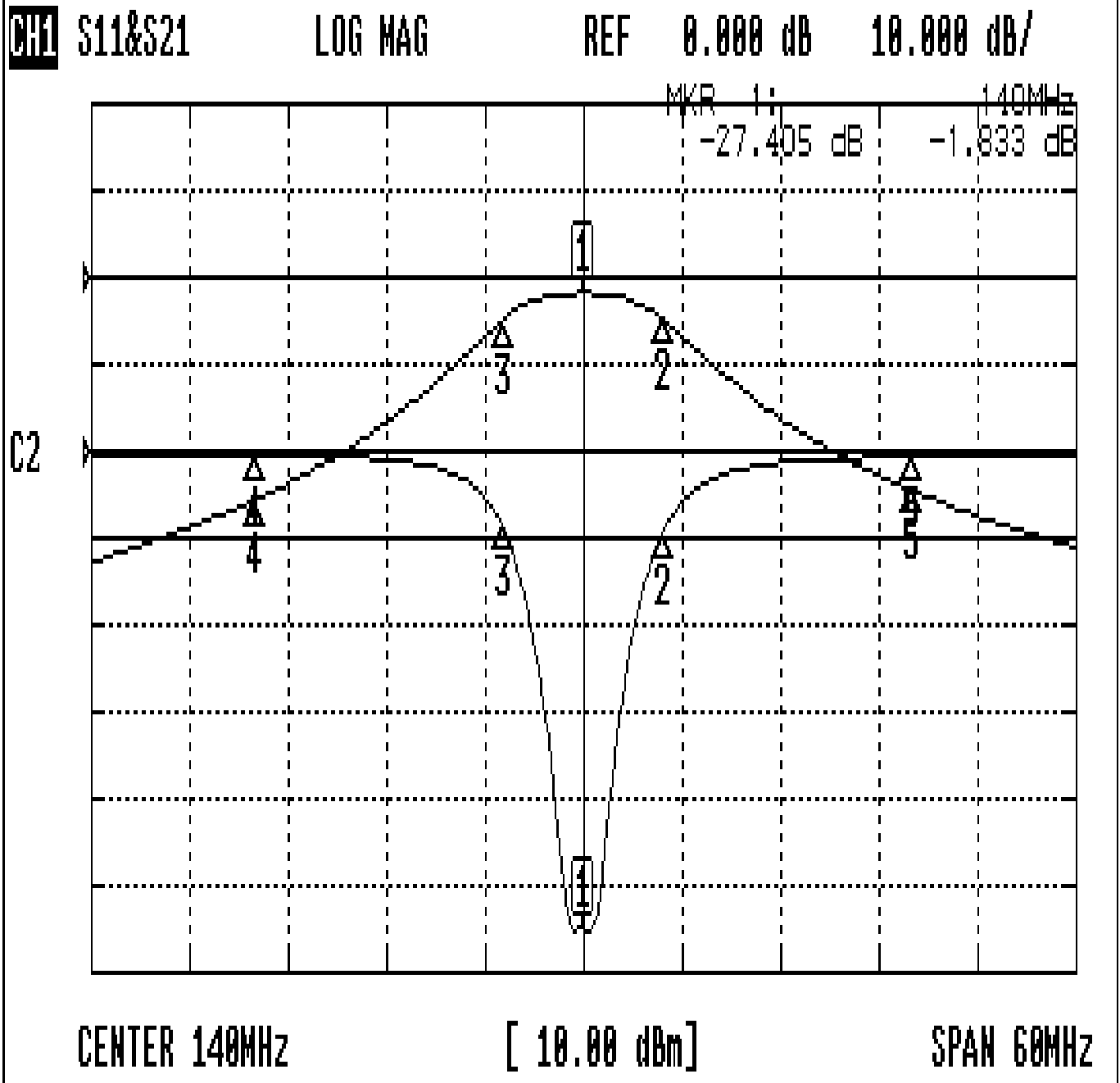


Approval	Supervisor	Designer	Aperture size
C.Y. Chang	C.S. Chang	P.H. Chiang	7H2(4*6.5)(6.58) 7H00LB4

TEMWELL CORPORATION

Performance-TD67203A-140M

20507001B



CH1 MARKER LIST

1:	140.000MHz	-27.405 dB	-1.833 dB
2:	144.900MHz	-4.615 dB	-4.864 dB
3:	135.050MHz	-4.287 dB	-4.832 dB
4:	120.000MHz	-0.205 dB	-25.525 dB
5:	160.000MHz	-0.331 dB	-24.508 dB