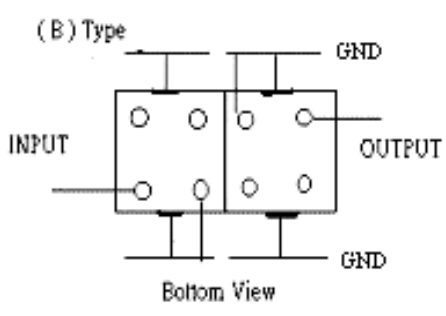
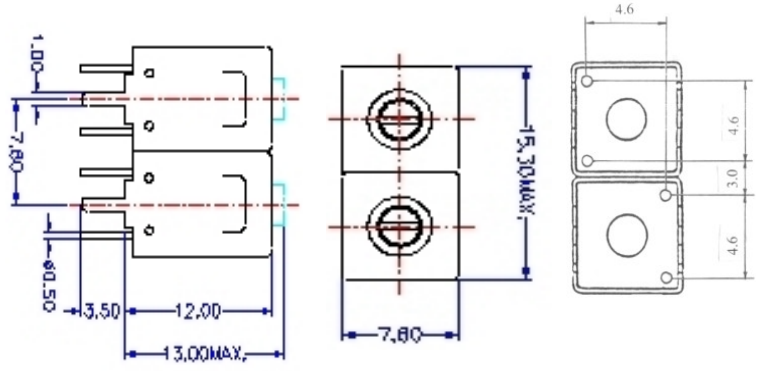


VHF UHF Helical Filter Specification Sheet

Customer Name		Temwell's Part No.	TD67194B-127.5M
Approval No. /dated	9703133	Acceptable Specify Fo. Range	126~145MHz
Work Instruction No.	9703133	Date	Nov.04.1997

(1)Pin Position	(2)Size Diagram
 <p style="text-align: center;">(B) Type Bottom View</p>	

(3)Electric Character

Item	Specify	Performance
Center Freq.(Fo) +/- 0.5 %	127.5 MHz	127.5 MHz
Tunable Range	127.5±2 MHz	127.5±2 MHz
Insertion Loss	Typ. 2.5 dB	1.87 dB
-3 dB Bandwidth	Typ. 9 MHz	10.4 MHz
Sensitivity (Attenuation)	Fo -30 MHz	Typ. 20 dBc
	Fo +30 MHz	Typ. 27 dBc
	Fo - ()MHz	Typ. dBc
	Fo +()MHz	Typ. dBc
Return Loss	Min. 12 dB	13.7 dB
Ripple	< 1 dB	1 dB
Impedance	In / Out : 50 Ω	In / Out : 50 Ω

(4)Torque for Tuning Screw > 100gf • cm

(5)Temperature Condition:

Operating Temperature	0°C ~ +0°C
Storage Temperature	-20°C ~ +70°C

(6)Input Power > 1Watt

Approval	Supervisor	Designer	Aperture size
C.Y.Chang	C.S.Chang	C.S.Chang	7H2S(4*6.7)F 7H00LB4

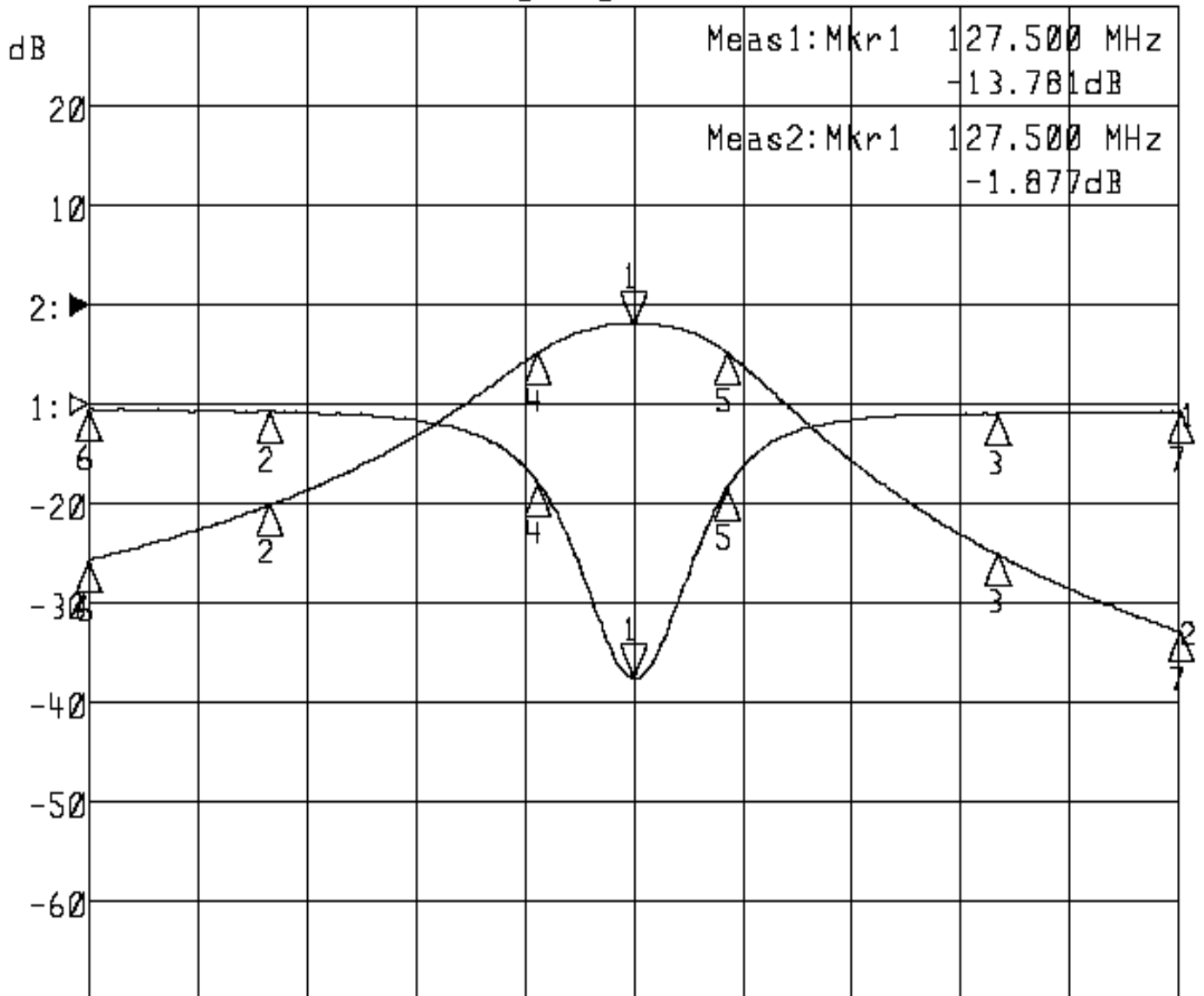
TEMWELL CORPORATION

Performance-TD67194B-127.5M

9703133

▶1:S11 Refl Port1 Log Mag 5.0 dB/ Ref 0.00 dB C

▶2:S21 Fwd Trans Log Mag 10.0 dB/ Ref 0.00 dB C



Center 127.500 MHz

Span 60.000 MHz

1: Mkr (MHz)	dB	2: Mkr (MHz)	dB
1> 127.5000	-13.781	1> 127.5000	-1.877
2: 107.5000	-0.376	2: 107.5000	-20.093
3: 147.5000	-0.454	3: 147.5000	-25.073
4: 122.2800	-3.973	4: 122.2800	-4.790
5: 132.6600	-4.216	5: 132.6600	-4.795
6: 97.5000	-0.247	6: 97.5000	-25.680
7: 157.5000	-0.407	7: 157.5000	-32.790