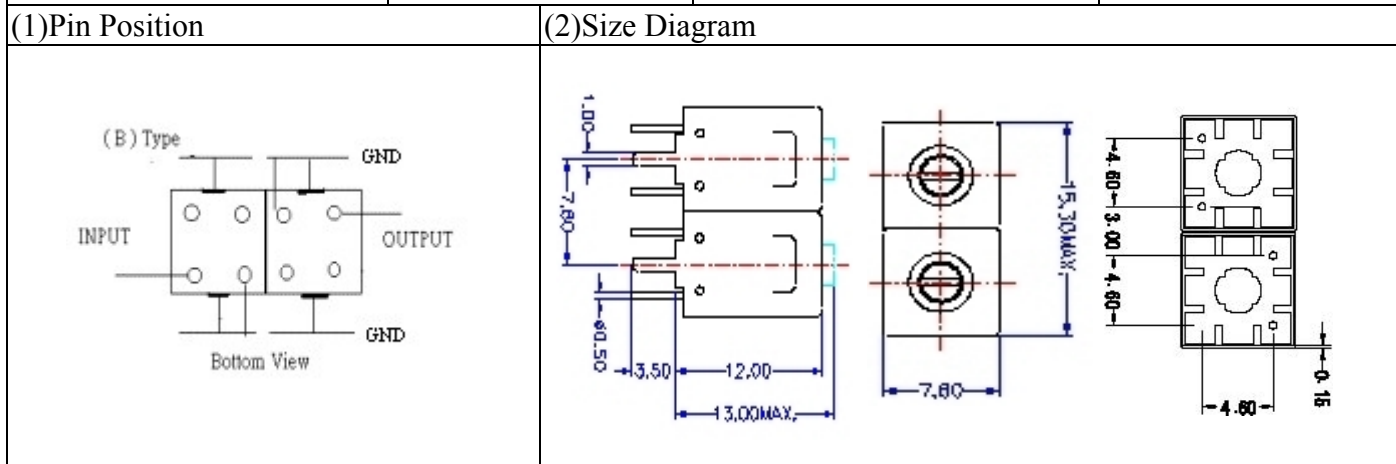


# VHF UHF Helical Filter Specification Sheet

Customer Name		Temwell's Part No.	TD67186B-70M
Approval No. /dated	0810116APR	Customer's Part No.	67186B 70M
Work Instruction No.	200810116BD	Date	Oct.21.2008



(3) Electric Characteristic

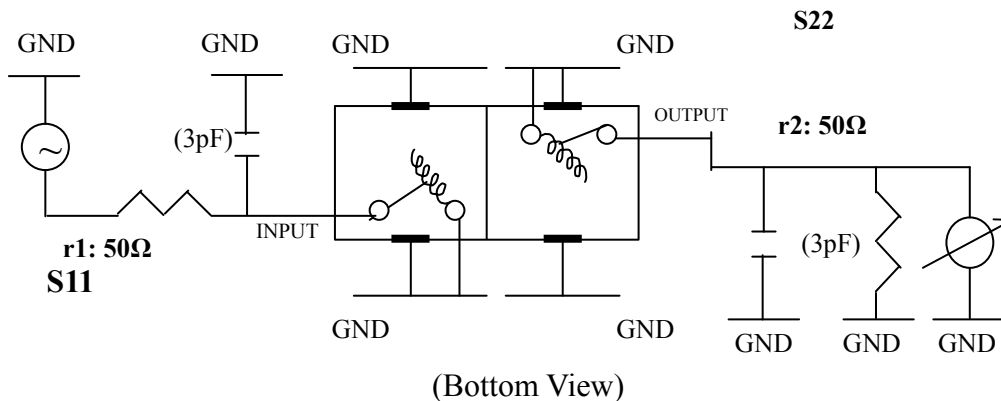
Item	Specify	Performance	
Center Freq.(Fo) +/- 0.5 %	70 MHz	70 MHz	
Tunable Range:	70±2 MHz	70±2 MHz	
Insertion Loss	Typ. 3 dB	2.17 dB	
-3 dB Bandwidth	Typ. 5 MHz	5.6 MHz	
Sensitivity (Attenuation)	Fo - 20 MHz	Typ. 22 dBc	30 dBc
	Fo + 20 MHz	Typ. 23 dBc	34 dBc
	Fo - ( )MHz	Typ. dBc	dBc
	Fo +( )MHz	Typ. dBc	dBc
Return Loss	Min. 12 dB	18.6 dB	
Ripple	< 1 dB	dB	
Impedance	In / Out : 50 Ω	In / Out : 50 Ω	
(4) Torque for Tuning Screw	> 100gf · cm		

(5) Temperature Condition:

Operating Temperature	0°C ~ +60°C
Storage Temperature	-20°C ~ +70°C

(6) Input Power

(7) Measuring Circuit: ※Easy to match Impedance S11/S22 50Ω by parallel with about ( 3 ) pF.

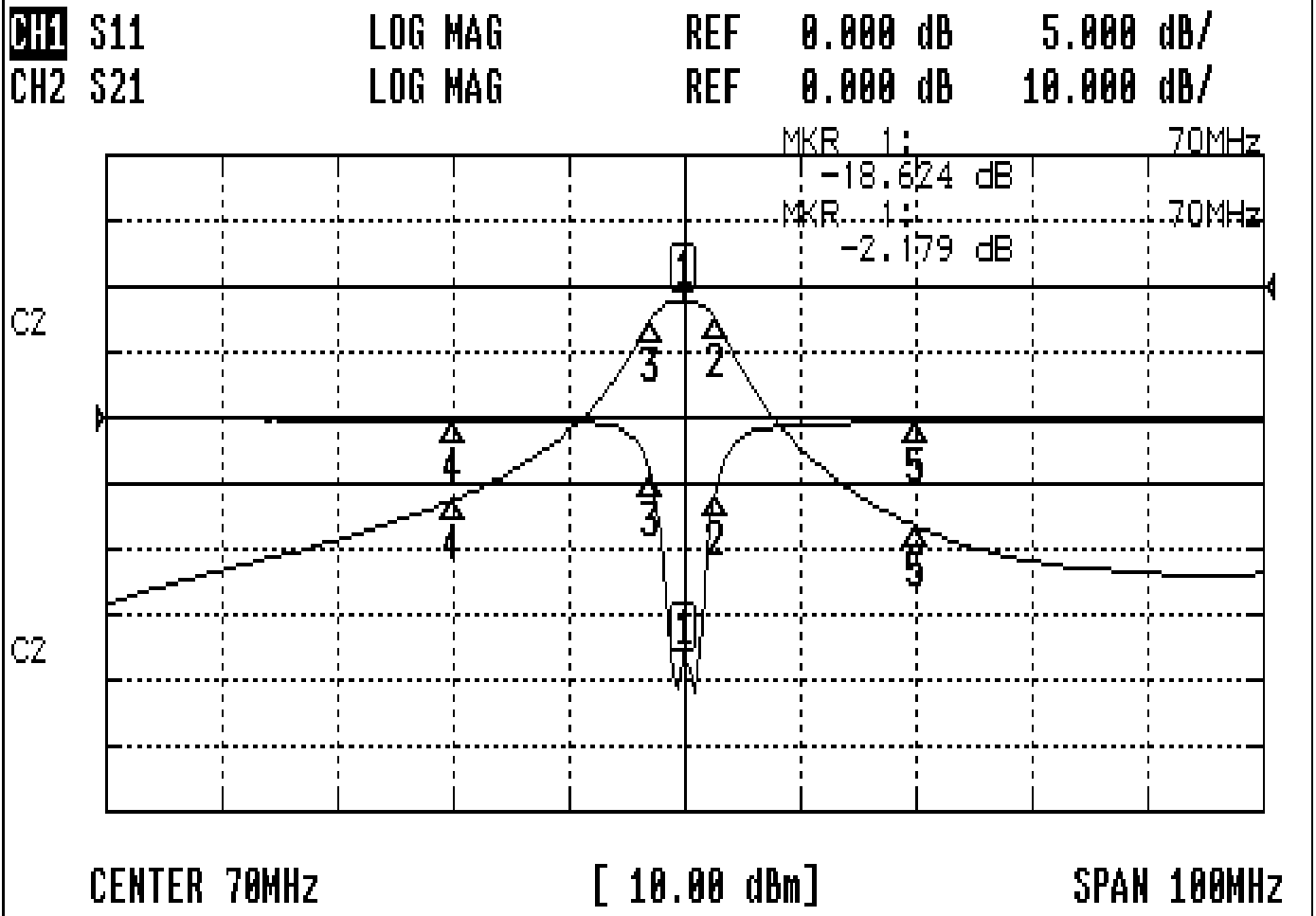


Approval	Supervisor	Designer	Aperture size
C.Y.Chang	C.S.Chang	P.H.Chiang	7H2(4*7.5F) (7H00LB4)

TEMWELL CORPORATION

# Performance-TD67186B-70M

200810116BD



## CH1 MARKER LIST

1	70.000MHz	-18.623 dB
2	72.750MHz	-15.679 dB
3	67.166MHz	-14.483 dB
4	50.000MHz	-10.203 dB
5	90.000MHz	-0.386 dB

## CH2 MARKER LIST

1	70.000MHz	-2.179 dB
2	72.750MHz	-1.155 dB
3	67.166MHz	-1.300 dB
4	50.000MHz	-3.497 dB
5	90.000MHz	66.527 dB