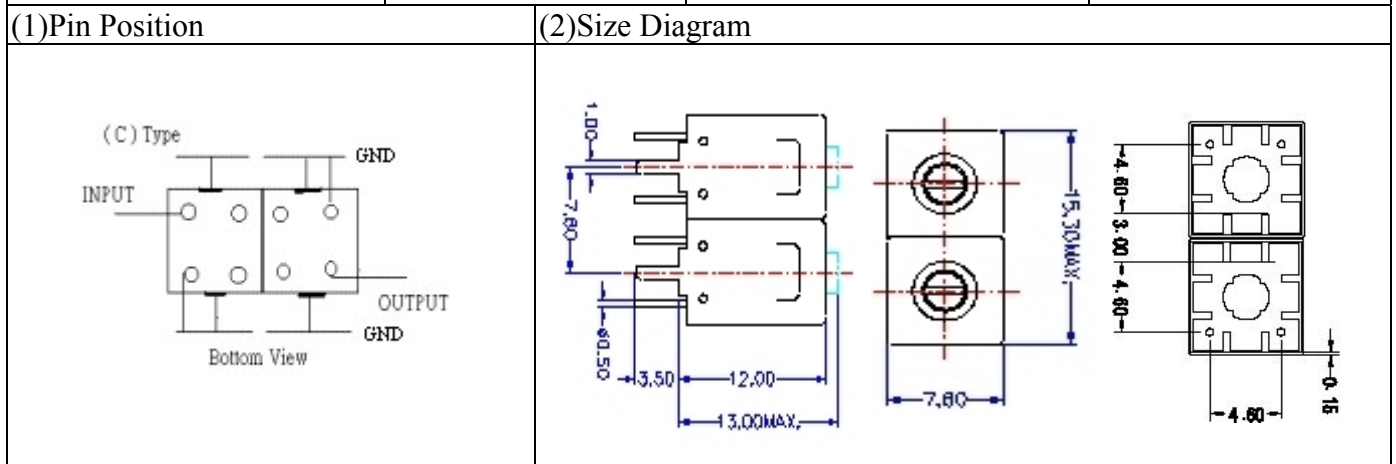


VHF UHF Helical Filter Specification Sheet

Customer Name		Temwell's Part No.	TD67160C-815M
Approval No. /dated	0902043CD	Customer's Part No.	67160C 815M
Work Instruction No.	200902043CD	Date	Feb.06.2009



(3) Electric Characteristic

Item	Specify	Performance	
Center Freq.(Fo) +/- 0.5 %	815 MHz	815 MHz	
Tunable Range:	815±10 MHz	815±10 MHz	
Insertion Loss	Typ. 2.5 dB	1.26 dB	
-3 dB Bandwidth	Typ. 30 MHz	37.8 MHz	
Sensitivity (Attenuation)	Fo - 100 MHz	Typ. 30 dBc	33 dBc
	Fo + 100 MHz	Typ. 20 dBc	23 dBc
	Fo - ()MHz	Typ. dBc	dBc
	Fo +()MHz	Typ. dBc	dBc
Return Loss	Min. 12 dB	21.9 dB	
Ripple	< 1 dB	dB	
Impedance	In / Out : 50 Ω	In / Out : 50 Ω	

(4) Torque for Tuning Screw > 100gf • cm

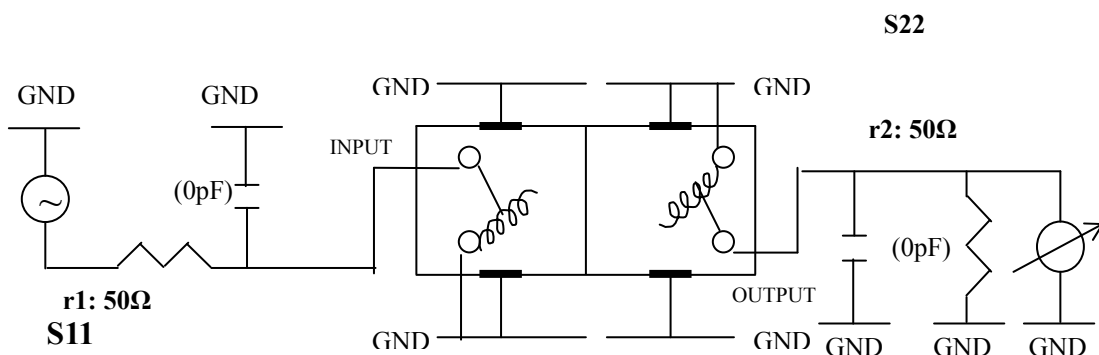
(5) Temperature Condition:

Operating Temperature 0°C ~ +60°C

Storage Temperature -20°C ~ +70°C

(6) Input Power > 1Watt

(7) Measuring Circuit: ※Easy to match Impedance S11/S22 50Ω/ by parallel with about(0pF)/(0pF).



(Bottom View)

Approval C.Y.Chang	Supervisor C.S.Chang	Designer C.S.Chang	Aperture size 7H2(4*6.5F)(6.59) (7H046RB4)
-----------------------	-------------------------	-----------------------	--

TEMWELL CORPORATION

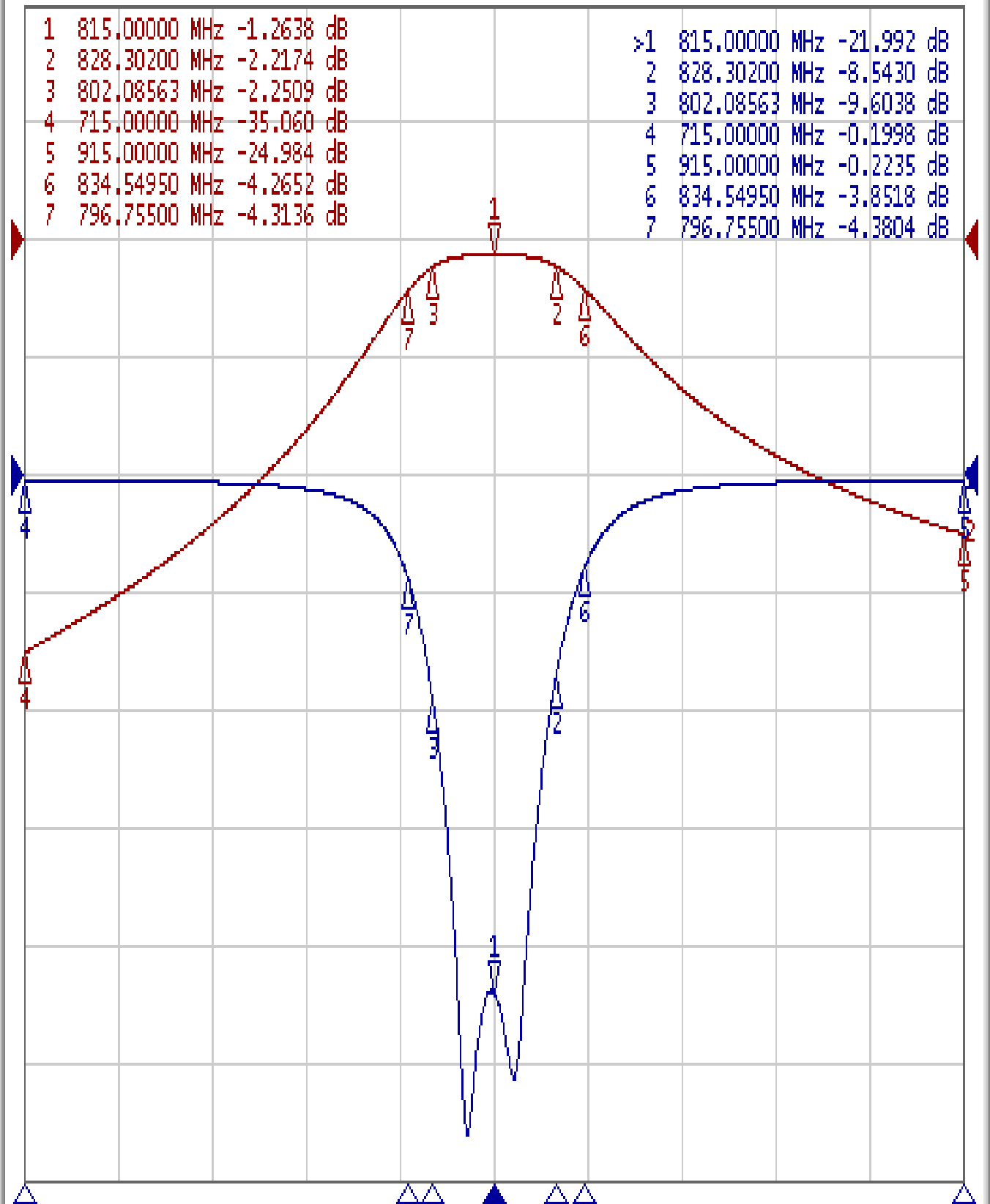
Performance-TD67160C-815M

200902043CD

Tr1 S11 Log Mag 5.000dB/ Ref 0.000dB [F3]
Tr2 S21 Log Mag 10.00dB/ Ref 0.000dB [F3]

1	815.00000 MHz	-1.2638 dB
2	828.30200 MHz	-2.2174 dB
3	802.08563 MHz	-2.2509 dB
4	715.00000 MHz	-35.060 dB
5	915.00000 MHz	-24.984 dB
6	834.54950 MHz	-4.2652 dB
7	796.75500 MHz	-4.3136 dB

>1	815.00000 MHz	-21.992 dB
2	828.30200 MHz	-8.5430 dB
3	802.08563 MHz	-9.6038 dB
4	715.00000 MHz	-0.1998 dB
5	915.00000 MHz	-0.2235 dB
6	834.54950 MHz	-3.8518 dB
7	796.75500 MHz	-4.3804 dB



1 Center 815 MHz

IFBW 10 kHz

Span 200 MHz

C?