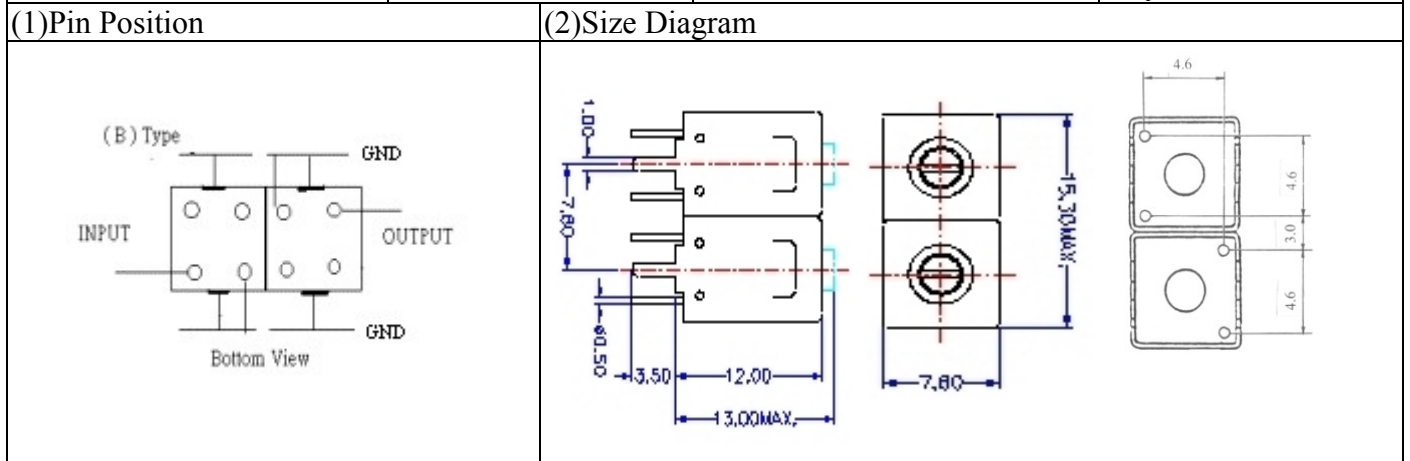


# VHF UHF Helical Filter Specification Sheet

Customer Name		Temwell's Part No.	TD6711B4-500M
Approval No. /dated	0705007APR	Acceptable Specify Fo Range	456~515MHz
Work Instruction No.	0705007DC	Date	May.07.2007



(3) Electric Characteristic

Item	Specify	Performance	
Center Freq.(Fo ) +/- 0.75 %	500 MHz	500 MHz	
Tunable Range:	500±5 MHz	500±5 MHz	
Insertion Loss	Typ. 3.0 dB	2.19 dB	
-3 dB Bandwidth	Typ. 5 MHz	11.2 MHz	
Sensitivity (Attenuation)	Fo - 40 MHz	Typ. 44 dBc	47 dBc
	Fo + 40 MHz	Typ. 27 dBc	30 dBc
	Fo - ( )MHz	Typ. dBc	dBc
	Fo +( )MHz	Typ. dBc	dBc
Return Loss	Min. 12 dB	36.8 dB	
Ripple	< 1 dB	dB	
Impedance	In / Out : 50 Ω	In / Out : 50 Ω	

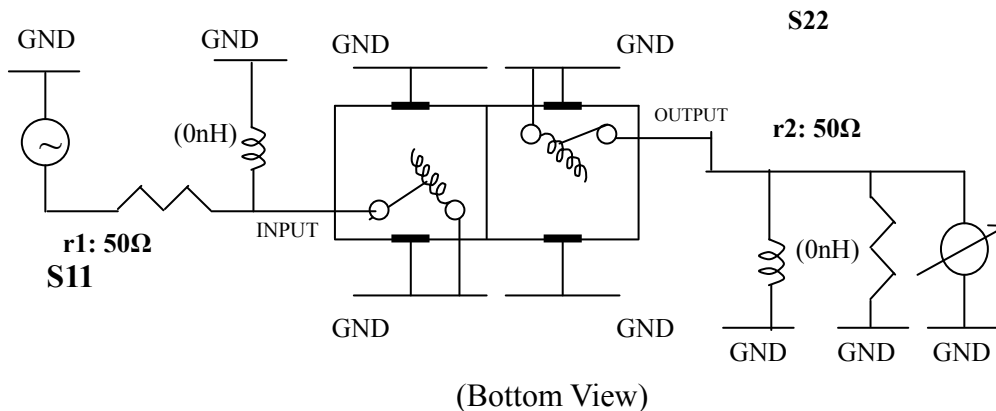
(4) Torque for Tuning Screw > 100gf · cm

(5) Temperature Condition:

Operating Temperature	-30°C ~ +70°C
Storage Temperature	-30°C ~ +80°C

(6) Input Power > 1 Watt

(7) Measuring Circuit: ※Easy to match Impedance 50Ωby parallel with about ( 0 ) nH.



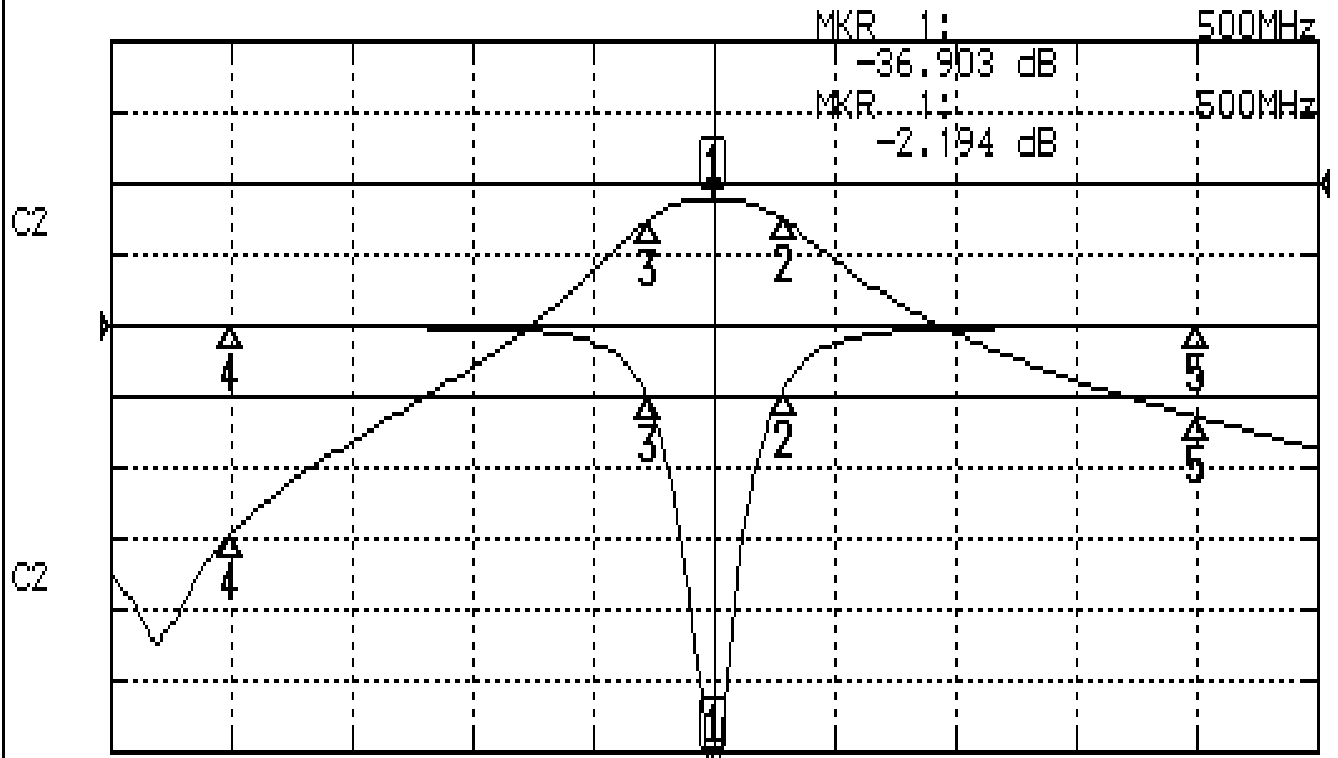
Approval	Supervisor	Designer	Aperture size
C.Y.Chang	C.S.Chang	J.F.Lin	7H2, 4*5.5(5.58) 7H046RB4

TEMWELL CORPORATION

# Performance-TD6711B4-500M

## 0705007DC

CH1 S11 LOG MAG REF 0.000 dB 5.000 dB/  
CH2 S21 LOG MAG REF 0.000 dB 10.000 dB/



CENTER 500MHz

[ 10.00 dBm]

SPAN 100MHz

### CH1 MARKER LIST

Marker	Frequency (MHz)	Magnitude (dB)
1	500.000	-36.875
2	505.750	-14.528
3	494.583	-10.283
4	460.000	-0.058
5	540.000	-0.022

### CH2 MARKER LIST

Marker	Frequency (MHz)	Magnitude (dB)
1	500.000	-2.194
2	505.750	-11.146
3	494.583	-11.107
4	460.000	-40.230
5	540.000	-32.831