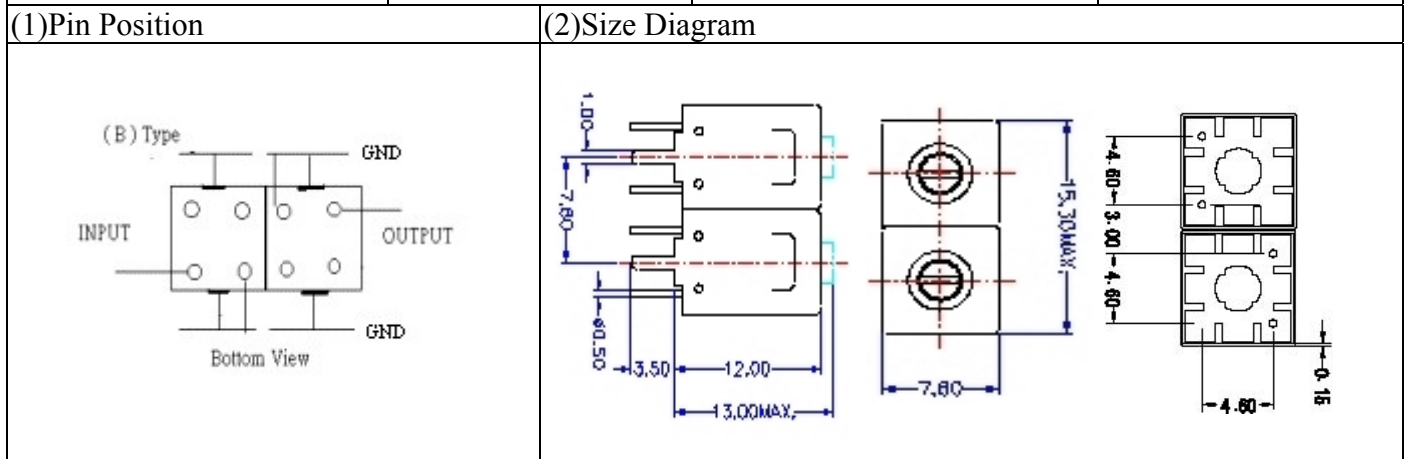


VHF UHF Helical Filter Specification Sheet

Customer Name		Temwell's Part No.	TD6711B-433.92M
Approval No. /dated	0710080APR	Temwell's print name.	6711B 433.92M
Work Instruction No.	0710080C	Date	Dec.20.2007



(3) Electric Characteristic

Item	Specify	Performance
Center Freq.(Fo) +/- 0.75 %	433.92 MHz	433.92 MHz
Tunable Range:	433.92±5 MHz	433.92±5 MHz
Insertion Loss	Typ 3.0 dB	2.01 dB
-3 dB Bandwidth	Typ. 10 MHz	12.0 MHz
Sensitivity (Attenuation)	Fo - 40 MHz	Typ. 40 dBc
	Fo + 40 MHz	Typ. 25 dBc
	Fo - ()MHz	Typ. dBc
	Fo +()MHz	Typ. dBc
Return Loss	Min. 12 dB	22.9 dB
Ripple	< 1 dB	
Impedance	In / Out : 50 Ω	In / Out : 50 Ω

(4) Torque for Tuning Screw > 100gf · cm

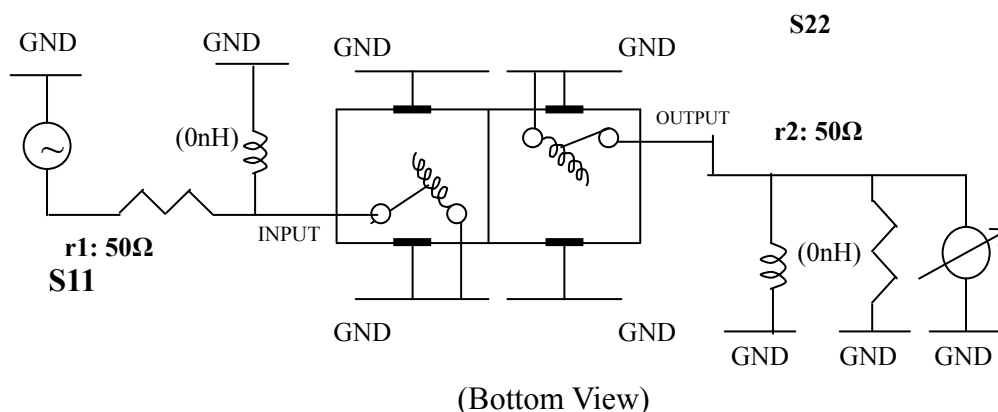
(5) Temperature Condition:

Operating Temperature -30°C ~ +70°C

Storage Temperature -30°C ~ +80°C

(6) Input Power > 1 Watt

(7) Measuring Circuit: ※Easy to match Impedance S11/S22 50Ω by parallel with about (0)nH.



Approval	Supervisor	Designer	Aperture size
C.Y.Chang	C.S.Chang	J.F.Lin	7H2S(4*5.5F) 7H046RB4

TEMWELL CORPORATION

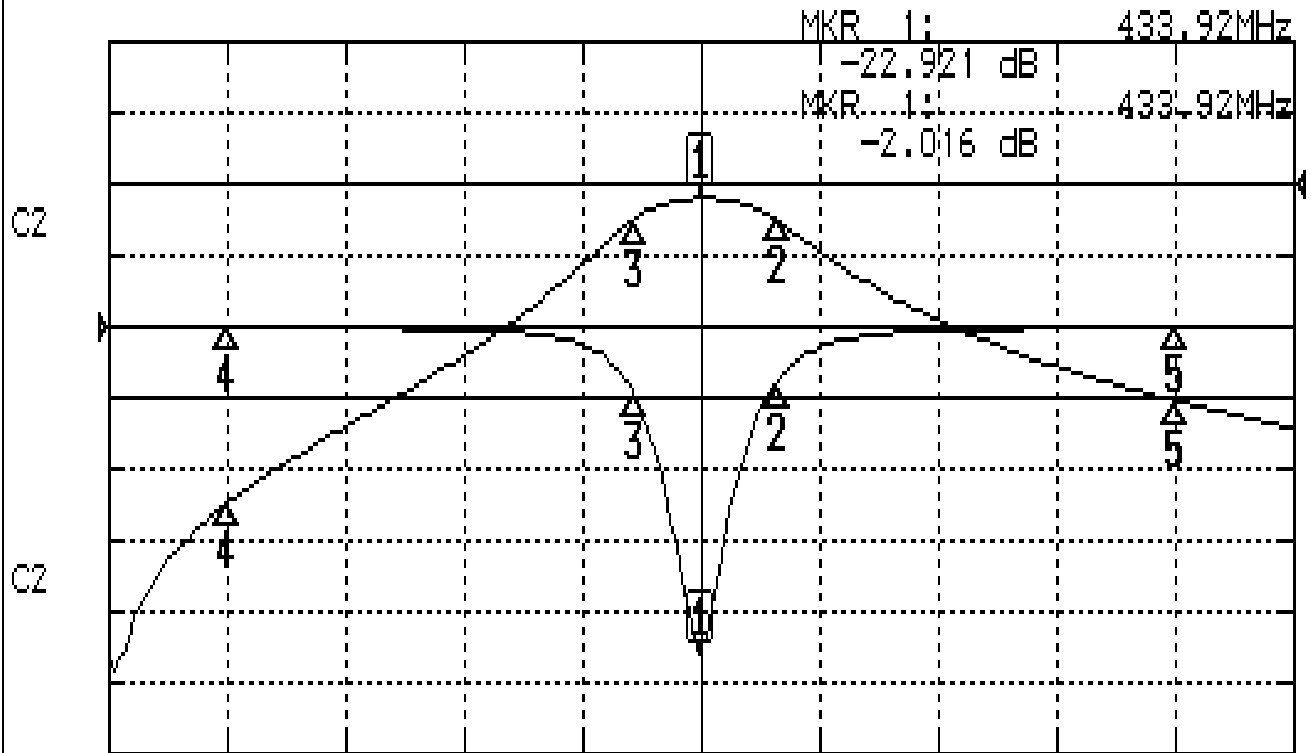
TEMWELL

Form10-7H2B Vision D RP(J.F.Lin)

Performance-TD6711B-433.92M

0710080C

CH1 S11 LOG MAG REF 0.000 dB 5.000 dB/
CH2 S21 LOG MAG REF 0.000 dB 10.000 dB/



CENTER 433.92MHz

[10.00 dBm]

SPAN 100MHz

CH1 MARKER LIST

1:	433.920MHz	-22.911	dB
2:	440.253MHz	-3.977	dB
3:	428.253MHz	-4.765	dB
4:	393.920MHz	-0.071	dB
5:	473.920MHz	-0.062	dB

CH2 MARKER LIST

1:	433.920MHz	-2.016	dB
2:	440.253MHz	-1.000	dB
3:	428.253MHz	-1.006	dB
4:	393.920MHz	-44.833	dB
5:	473.920MHz	-30.367	dB