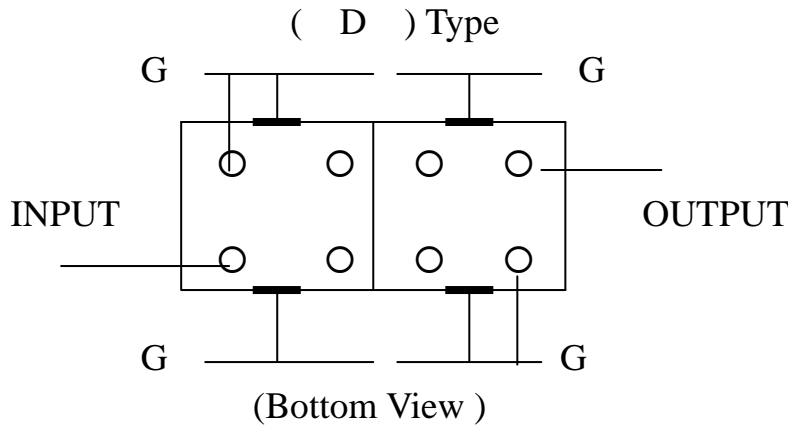


# Helical Filter Specification Sheet

Issued Dated :

Customer Name		Temwell's Part No.	TD67115D-653.2M
Approval No. /dated	20012018B	Customer's Part No.	
Work Instruction No.	20012018B	Date	Dec.11.2000
<input type="checkbox"/> Buyer Print name		<input type="checkbox"/> Temwell,s print name	
Case Name	7H2	Case size :	
Terminator Type	D		

\* Pin Position (Pin Connection) diagram as following



(3) Electric Charasteric

Item	Specify	Performance	
Center Freq.(Fo ) +/- 0.5 %	653.2 MHz	653.2 MHz	
Insertion Loss	Typ. 3.0 dB	2.28 dB	
-3 dB Bandwidth	Typ. 14 MHz	17.4 MHz	
Sensitivity (Attenuation )	Fo - 50 MHz	Typ. 26 dBc	29 dBc
	Fo + 50 MHz	Typ. 21 dBc	24 dBc
	Fo - ( )MHz	Typ. dBc	dBc
	Fo +( )MHz	Typ. dBc	dBc
Return Loss	Min. 12 dB	18.3 dB	
Ripple	< 1 dB	dB	
Impedance	In / Out : 50 Ω	In / Out : 50 Ω	

4. Temperature Condition:

Operating Temperature	0 °C ~ +60 °C
Storage Temperature	-20 °C ~ +70 °C

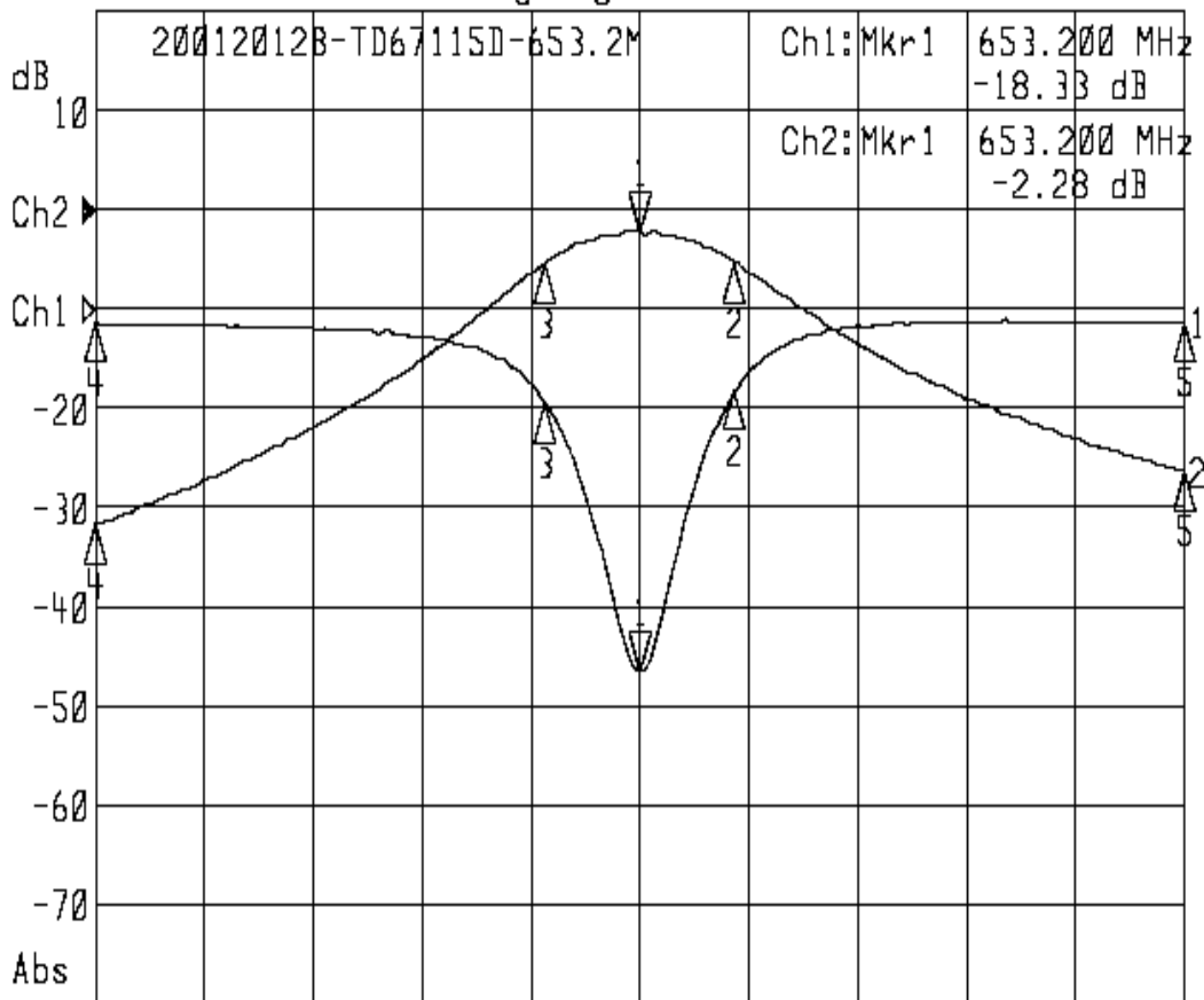
Approval	Supervisor	Designer	Aperture size
C.Y.Chang	C.S.Chang	C.S.Chang	7H2(4*4.5) 7H046LB4 聚 3

# Performance-TD67115D-653.2M

## 20012018B

▶1: Reflection Log Mag 5.0 dB/ Ref 0.00 dB C

▶2: Transmission Log Mag 10.0 dB/ Ref 0.00 dB C



Center 653.200 MHz

Span 100.000 MHz

1: Mkr (MHz)	dB	2: Mkr (MHz)	dB
1> 653.20	-18.33	1> 653.20	-2.28
2: 661.92	-4.07	2: 661.92	-5.23
3: 644.57	-4.75	3: 644.57	-5.21
4: 603.20	-0.68	4: 603.20	-31.69
5: 703.20	-0.63	5: 703.20	-26.29