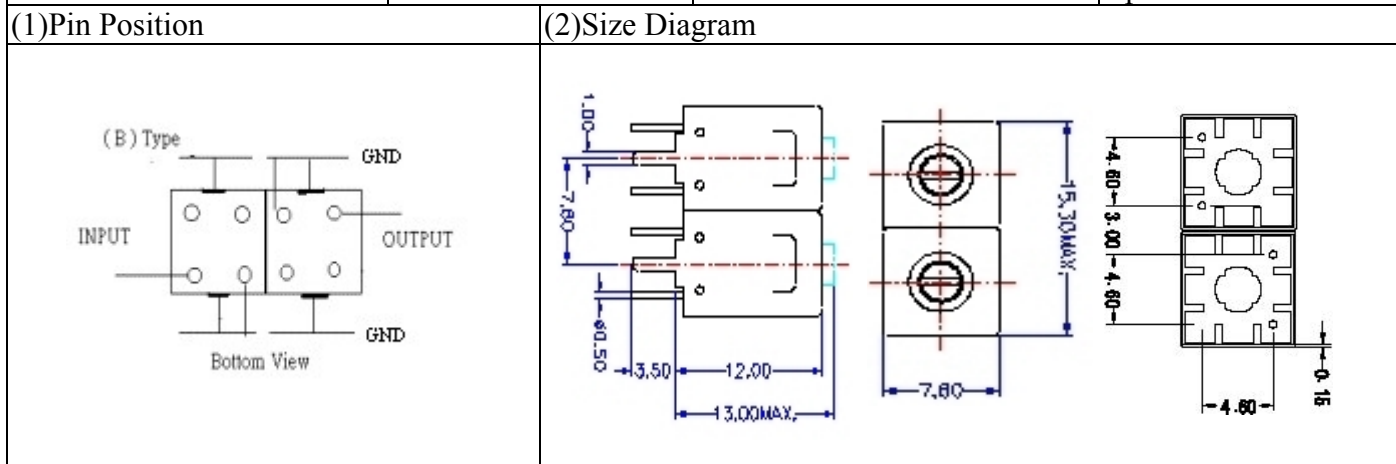


# VHF UHF Helical Filter Specification Sheet

Customer Name		Temwell's Part No.	TD6702B-260M
Approval No. /dated	0801070APR	Customer's Part No.	6702B 260M
Work Instruction No.	0801070CD	Date	Apr.09.2008



(3) Electric Characteristic

Item	Specify	Performance	
Center Freq.(Fo ) +/- 0.75 %	260 MHz	260 MHz	
Tunable Range:	260±4 MHz	260±4 MHz	
Insertion Loss	Typ. 2.0 dB	0.98 dB	
-3 dB Bandwidth	Typ. 17 MHz	21.3 MHz	
Sensitivity (Attenuation)	Fo - 50 MHz	Typ. 25 dBc	26 dBc
	Fo + 50 MHz	Typ. 28 dBc	29 dBc
	Fo - ( )MHz	Typ. dBc	dBc
	Fo +( )MHz	Typ. dBc	dBc
Return Loss	Min. 12 dB	14.1 dB	
Ripple	< 1 dB	dB	
Impedance	In / Out : 50 Ω	In / Out : 50 Ω	

(4) Torque for Tuning Screw > 100gf · cm

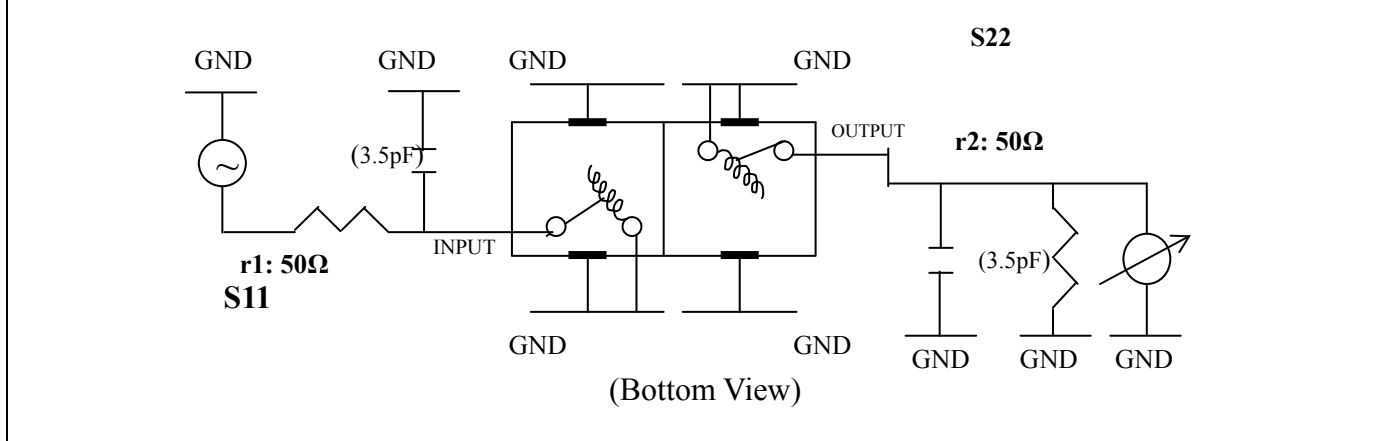
(5) Temperature Condition:

Operating Temperature -30°C ~ +70°C

Storage Temperature -30°C ~ +80°C

(6) Input Power > 1 Watt

(7) Measuring Circuit: ※Easy to match Impedance S11/S22 50Ω/ by parallel with about(3.5pF)/(3.5pF).

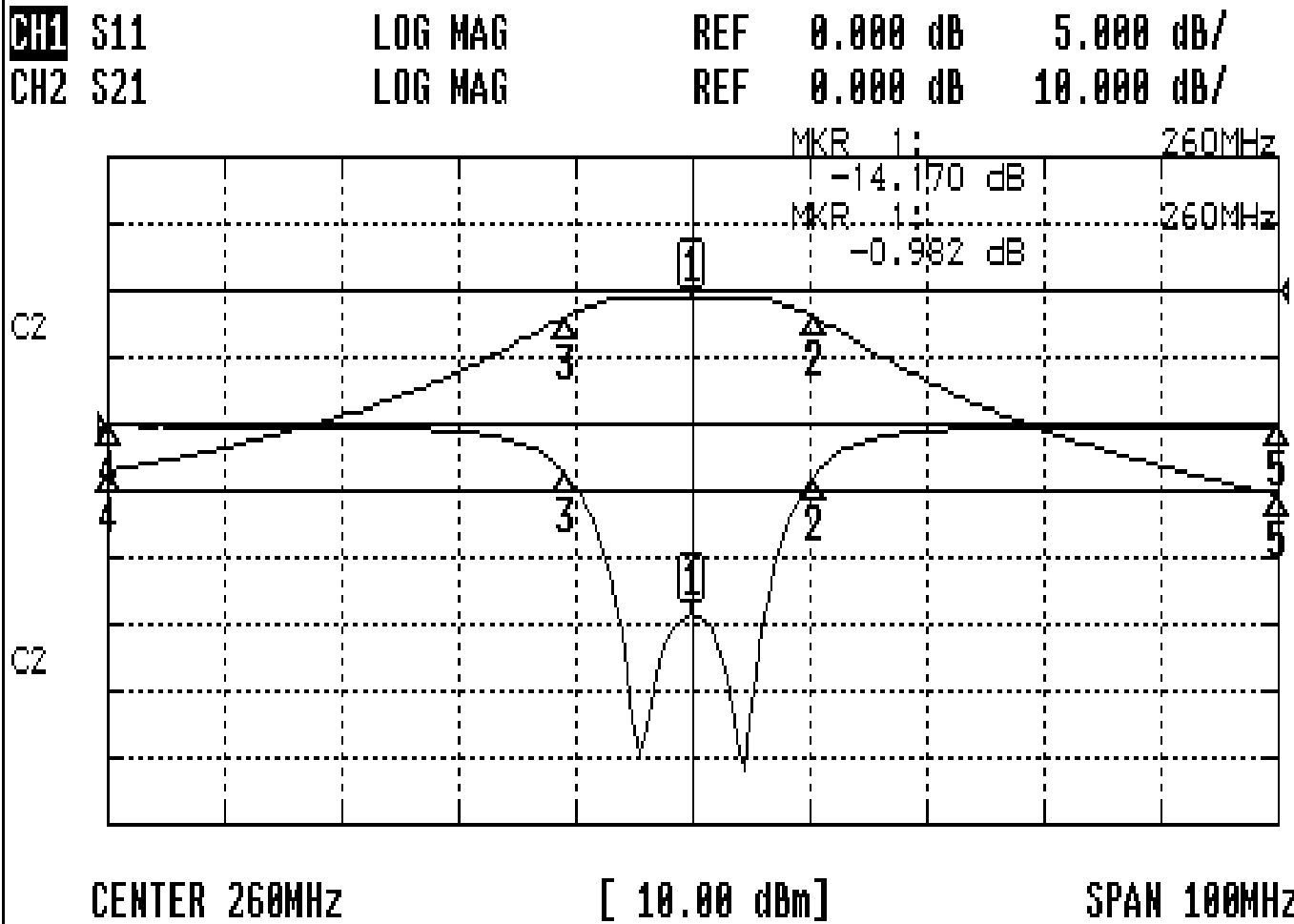


Approval C.Y.Chang	Supervisor C.S.Chang	Designer Y.H.Chuan	Aperture size 7H2(4*7.5F)*(4.0B) 7H024LB4
-----------------------	-------------------------	-----------------------	---

TEMWELL CORPORATION

# Performance-TD6702B-260M

## 0801070CD



### CH1 MARKER LIST

1	260.000MHz	-14.170 dB
2	270.416MHz	-0.820 dB
3	249.166MHz	-0.702 dB
4	210.000MHz	-0.146 dB
5	310.000MHz	-0.149 dB

### CH2 MARKER LIST

1	260.000MHz	-0.981 dB
2	270.416MHz	-3.957 dB
3	249.166MHz	-3.903 dB
4	210.000MHz	-27.049 dB
5	310.000MHz	-30.508 dB