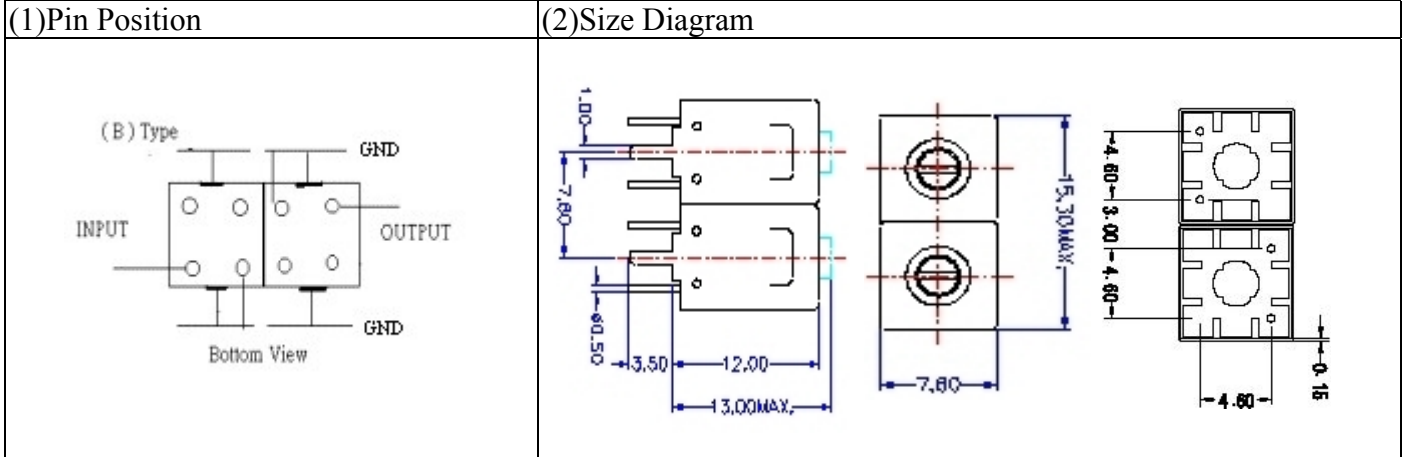
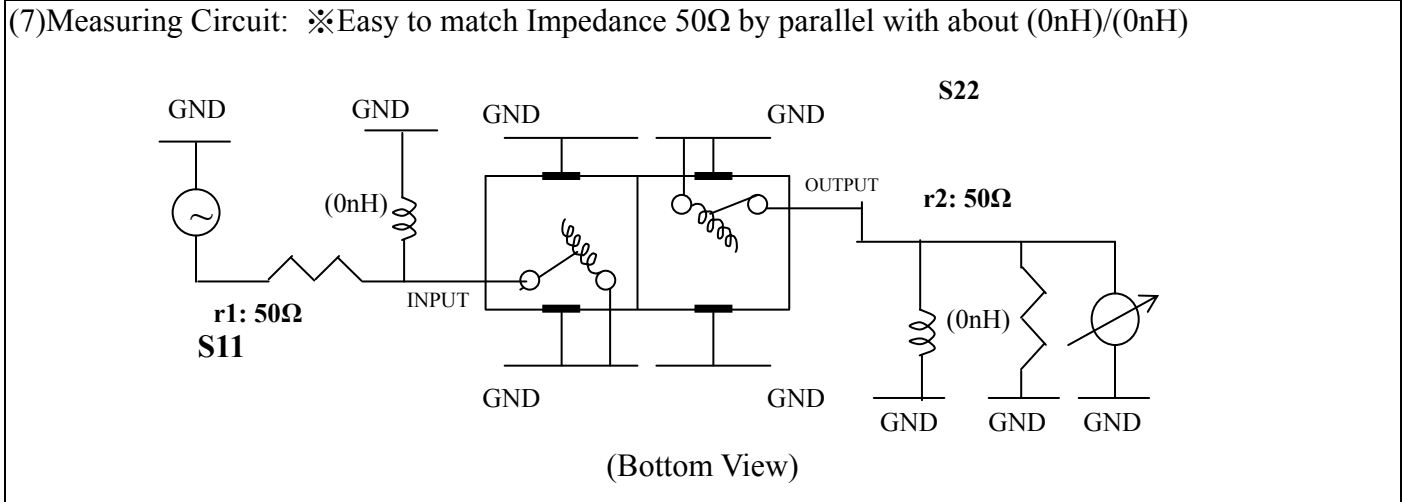


VHF UHF Helical Filter Specification Sheet

Customer Name		Temwell's Part No.	TD6292B-191.5M
Approval No. /dated	0703017APR	Acceptable Specry Range	166~195MHz
Work Instruction No.	0703017B	Date	Mar.07.2007



(3) Electric Chararistic					
Item		Specify		Performance	
Center Freq.(Fo) +/- 0.5 %		191.5 MHz		191.5 MHz	
Tunable Range:		191.5±2 MHz		191.5±2 MHz	
Insertion Loss		Typ. 2.0 dB		0.42 dB	
-3 dB Bandwidth		Typ. 53 MHz		56.2 MHz	
Sensitivity (Attenuation)	Fo - 100 MHz	Typ. 17 dBc		20 dBc	
	Fo + 100 MHz	Typ. 16 dBc		19 dBc	
	Fo - ()MHz	Typ. dBc		dBc	
	Fo +()MHz	Typ. dBc		dBc	
Return Loss		Min. 12 dB		20.0 dB	
Ripple		< 1 dB		dB	
Impedance		In / Out : 50 Ω		In / Out : 50 Ω	
(4) Torque for Tuning Screw		> 100gf • cm			
(5) Temperature Condition:					
Operating Temperature		-0°C ~ +60°C			
Storage Temperature		-20°C ~ +70°C			
(6) Input Power		> 1Watt			

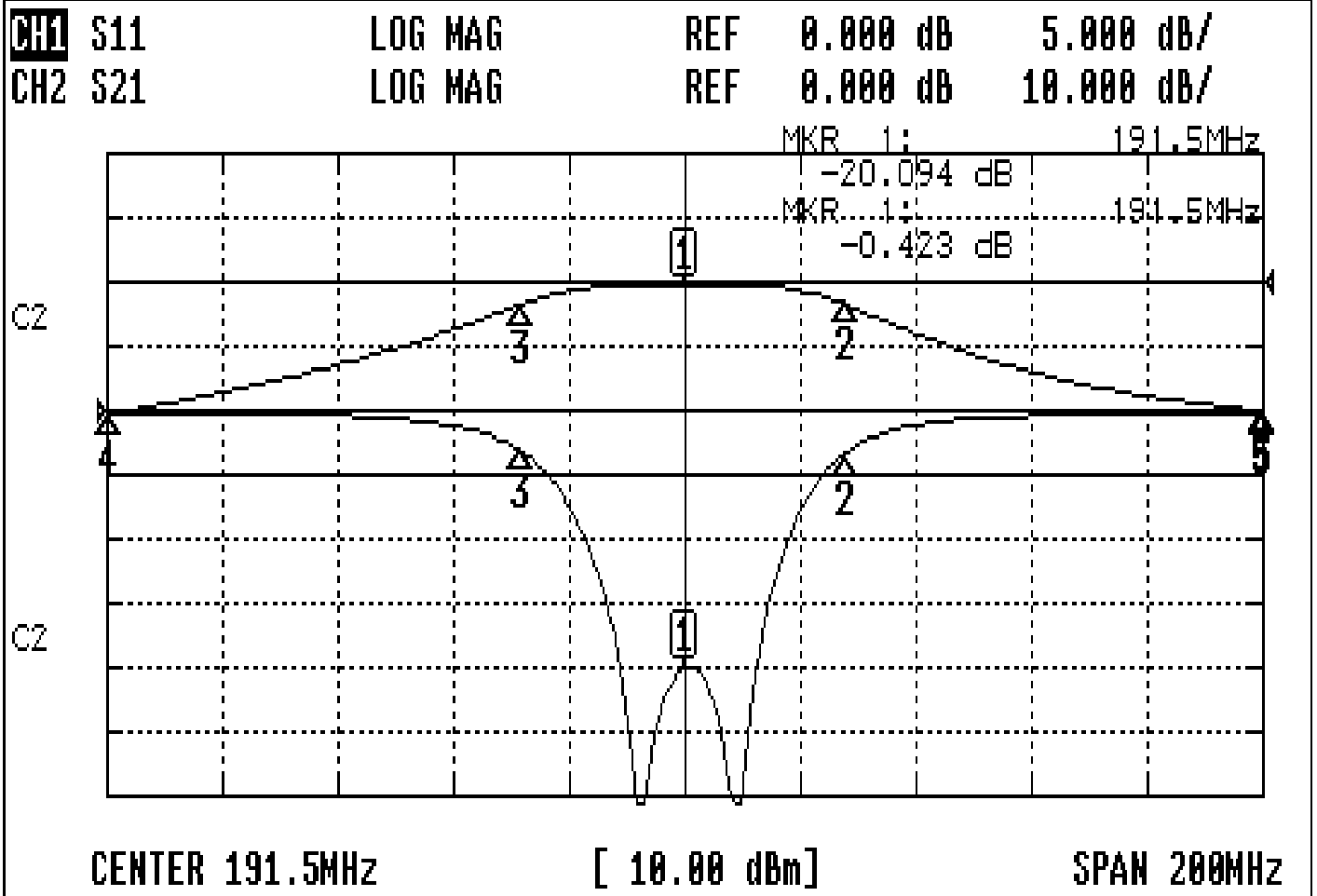


Approval	Supervisor	Designer	Aperture size
C.Y.Chang	C.S.Chang	P.H.Chiang	7H2S(4*7.5)(7.56) 7H046RB6.5

TEMWELL CORPORATION

Performance-TD6292B-191.5M

0703017DB



CH1 MARKER LIST

1:	191.500MHz	-20.094 dB
2:	219.333MHz	-3.352 dB
3:	163.166MHz	-3.155 dB
4:	91.500MHz	-0.165 dB
5:	291.500MHz	-0.228 dB

CH2 MARKER LIST

1:	191.500MHz	-0.423 dB
2:	219.333MHz	-3.484 dB
3:	163.166MHz	-3.487 dB
4:	91.500MHz	-20.631 dB
5:	291.500MHz	-20.007 dB