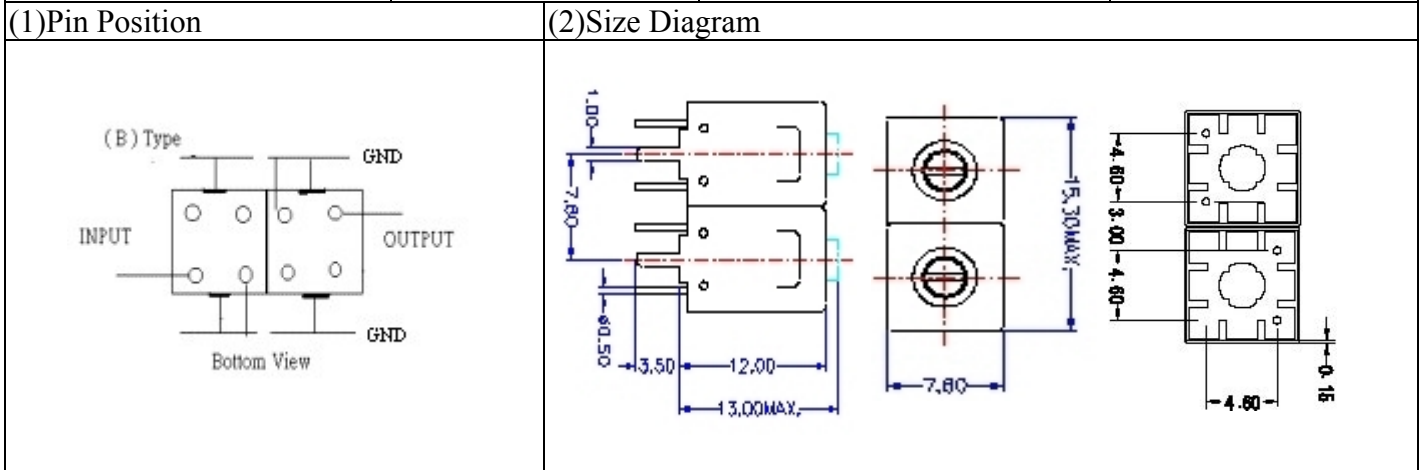


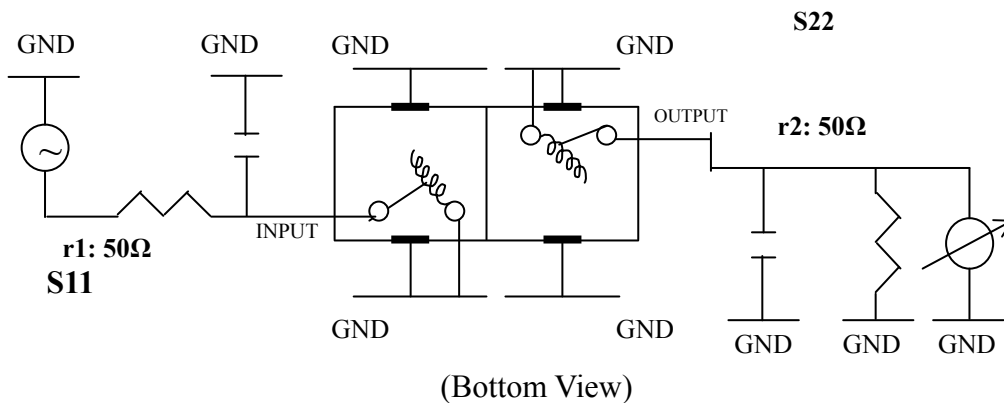
VHF UHF Helical Filter Specification Sheet

Customer Name		Temwell's Part No.	TD62720B-915M
Approval No. /dated	201709041CD	Temwell's print Name	62720B 915M
Work Instruction No.	201709041CD	Date	Sep.21.2017



Item		Specify	Performance
Center Freq.(Fo) +/- 0.5 %		915 MHz	915 MHz
Insertion Loss		Typ. 7.0 dB	5.61 dB
-3 dB Bandwidth		Typ. 5 MHz	8.2 MHz
Sensitivity (Attenuation)	Fo -50 MHz	Typ. 40 dBc	45 dBc
	Fo +50 MHz	Typ. 33 dBc	38 dBc
	Fo - ()MHz	Typ. dBc	dBc
	Fo +()MHz	Typ. dBc	dBc
Return Loss		Min. 12 dB	24.4 dB
Ripple		< 1 dB	dB
Impedance		In / Out : 50 Ω	In / Out : 50 Ω
(4) Torque for Tuning Screw		> 60gf • cm	
(5) Temperature Condition:			
Operating Temperature		0°C ~ +60°C	
Storage Temperature		-20°C ~ +70°C	
(6) Input Power		> 1 Watt	

(7) Measuring Circuit: ※Easy to match Impedance S11/S22 50Ω by parallel with about (- -).



Approval	Supervisor	Designer	Aperture size
C.Y.Chang	C.K.Chang	C.S.Chang	7H2S(4*4.5)(4.52) 7H046RB4

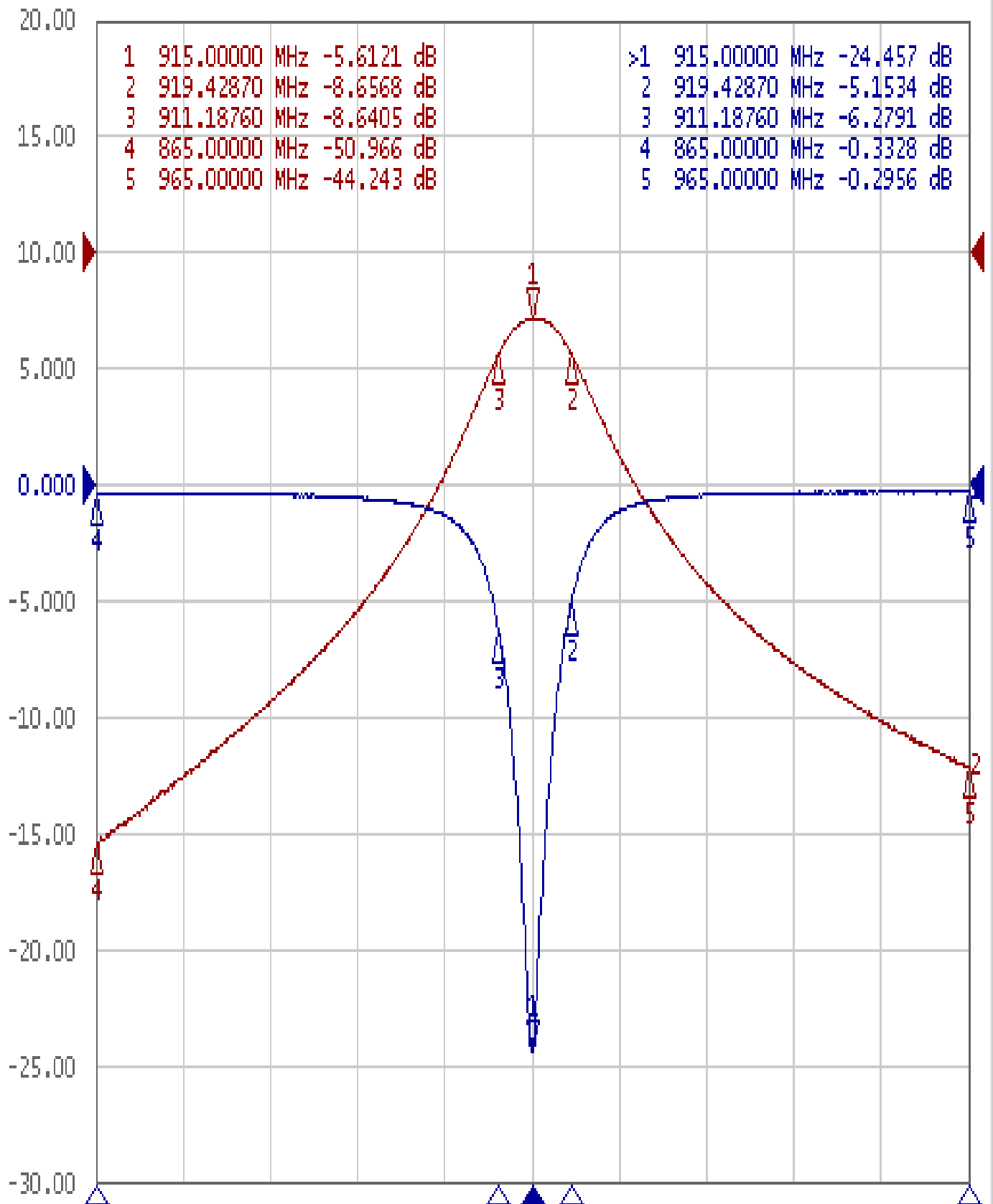
TEMWELL CORPORATION

Performance-TD62720B-915M

201709041CD

Tr1 S11 Log Mag 5.000dB/ Ref 0.000dB [F2]

Tr2 S21 Log Mag 10.00dB/ Ref 0.000dB [F2]



1 Center 915 MHz

IFBW 70 kHz

Span 100 MHz Cor !