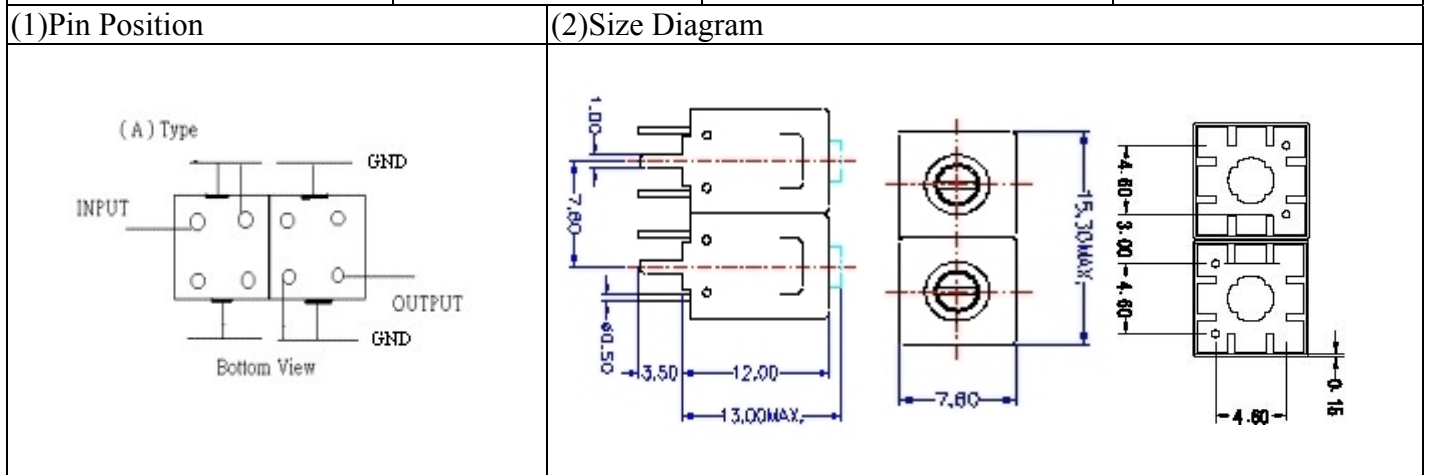
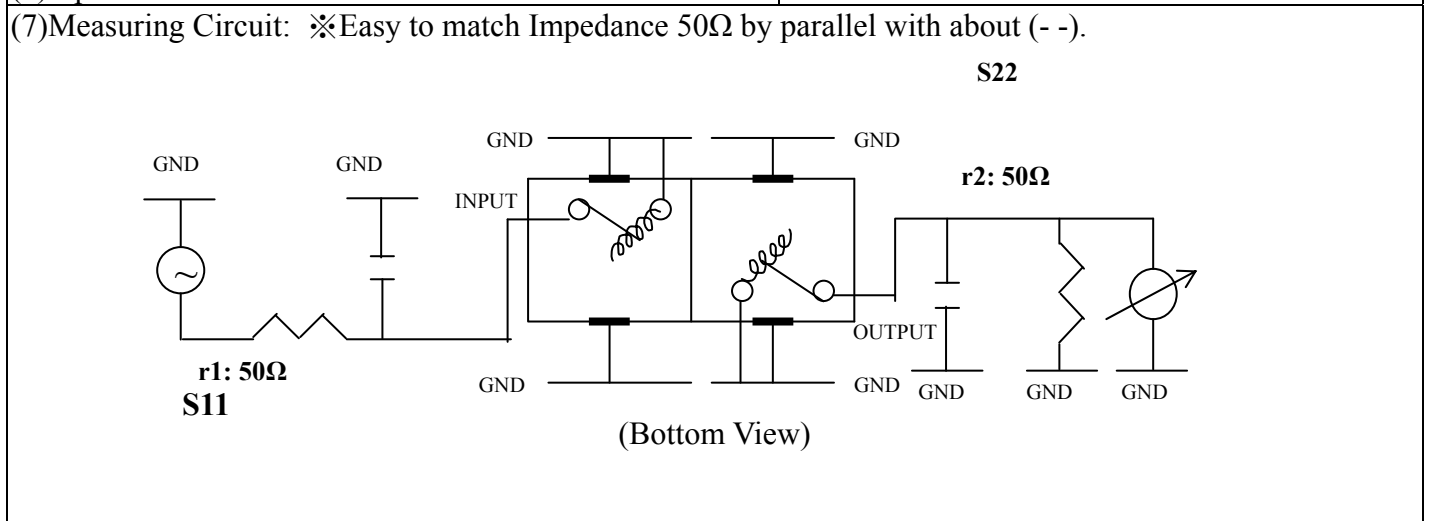


VHF UHF Helical Filter Specification Sheet

Customer Name		Temwell's Part No.	TD62718A-700M
Approval No. /dated	201709039CD	Temwell's Print Name.	62717A 700M
Work Instruction No.	201709039CD	Date	Oct.06.2017



(3) Electric Characteristic			
Item		Specify	Performance
Center Freq.(Fo) +/- 0.5 %		700 MHz	700 MHz
Insertion Loss		10 dB	8.63 dB
-3 dB Bandwidth		Typ. 2 MHz	5.8 MHz
Sensitivity (Attenuation)	Fo -30 MHz	Typ. 35 dBc	39 dBc
	Fo +30 MHz	Typ. 30 dBc	34 dBc
	Fo - ()MHz	Typ. dBc	dBc
	Fo +()MHz	Typ. dBc	dBc
Return Loss		Min. 12 dB	25.1 dB
Ripple		< 1 dB	dB
Impedance		In / Out : 50 Ω	In / Out : 50 Ω
(4) Torque for Tuning Screw		> 60gf · cm	
(5) Temperature Condition:			
Operating Temperature		0°C ~ +60°C	
Storage Temperature		-20°C ~ +70°C	
(6) Input Power		> 1 Watt	



Approval	Supervisor	Designer	Aperture size
C.Y.Chang	C.K.Chang	P.H.Chiang	7H2S(4*4.5)(4.53) 7H046LB4.3 聚 3-J1

TEMWELL CORPORATION

Performance-TD62718A-700M

201709039CD

