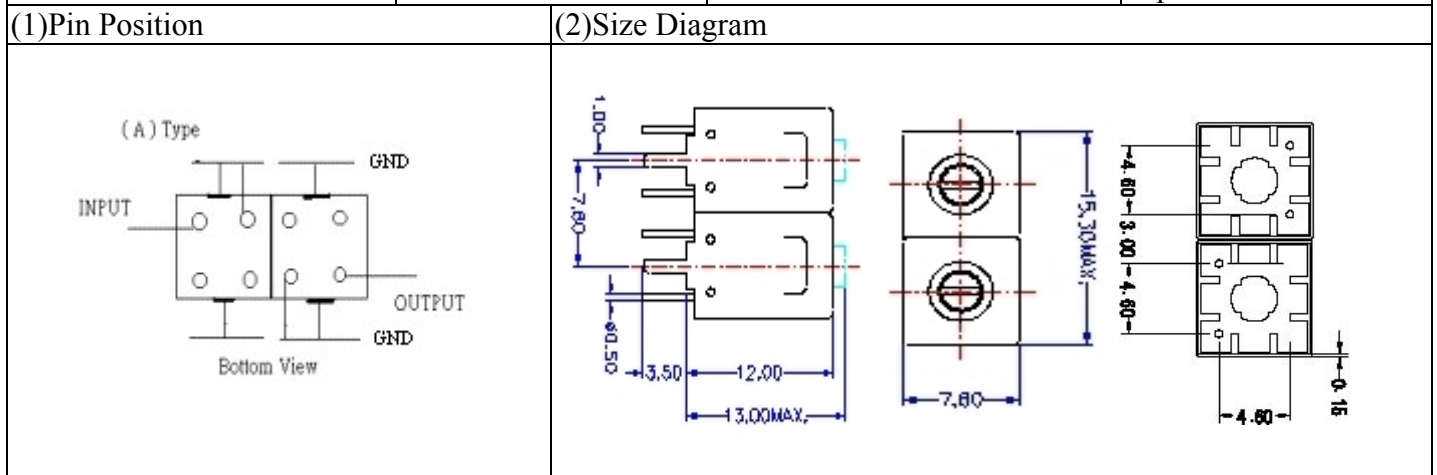
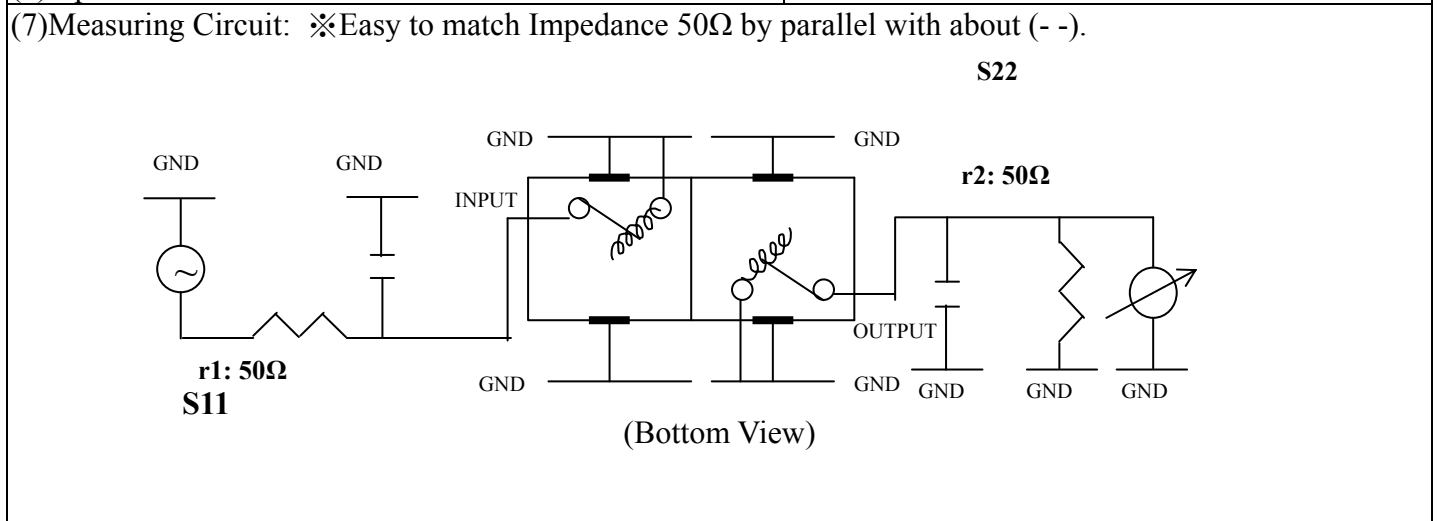


VHF UHF Helical Filter Specification Sheet

Customer Name		Temwell's Part No.	TD62716A-172M
Approval No. /dated	201709037CD	Temwell's Print Name.	62716A 172M
Work Instruction No.	201709037CD	Date	Sep.19.2017



(3) Electric Characteristic			
Item		Specify	Performance
Center Freq.(Fo) +/- 0.5 %		172 MHz	172 MHz
Insertion Loss		Typ. 3.5 dB	2.67 dB
-3 dB Bandwidth		Typ. 2 MHz	5.5 MHz
Sensitivity (Attenuation)	Fo -10 MHz	Typ. 14 dBc	18 dBc
	Fo +10 MHz	Typ. 18 dBc	23 dBc
	Fo - ()MHz	Typ. dBc	dBc
	Fo +()MHz	Typ. dBc	dBc
Return Loss		Min. 12 dB	22.9 dB
Ripple		< 1 dB	dB
Impedance		In / Out : 50 Ω	In / Out : 50 Ω
(4) Torque for Tuning Screw		> 60gf · cm	
(5) Temperature Condition:			
Operating Temperature		0°C ~ +60°C	
Storage Temperature		-20°C ~ +70°C	
(6) Input Power		> 1Watt	



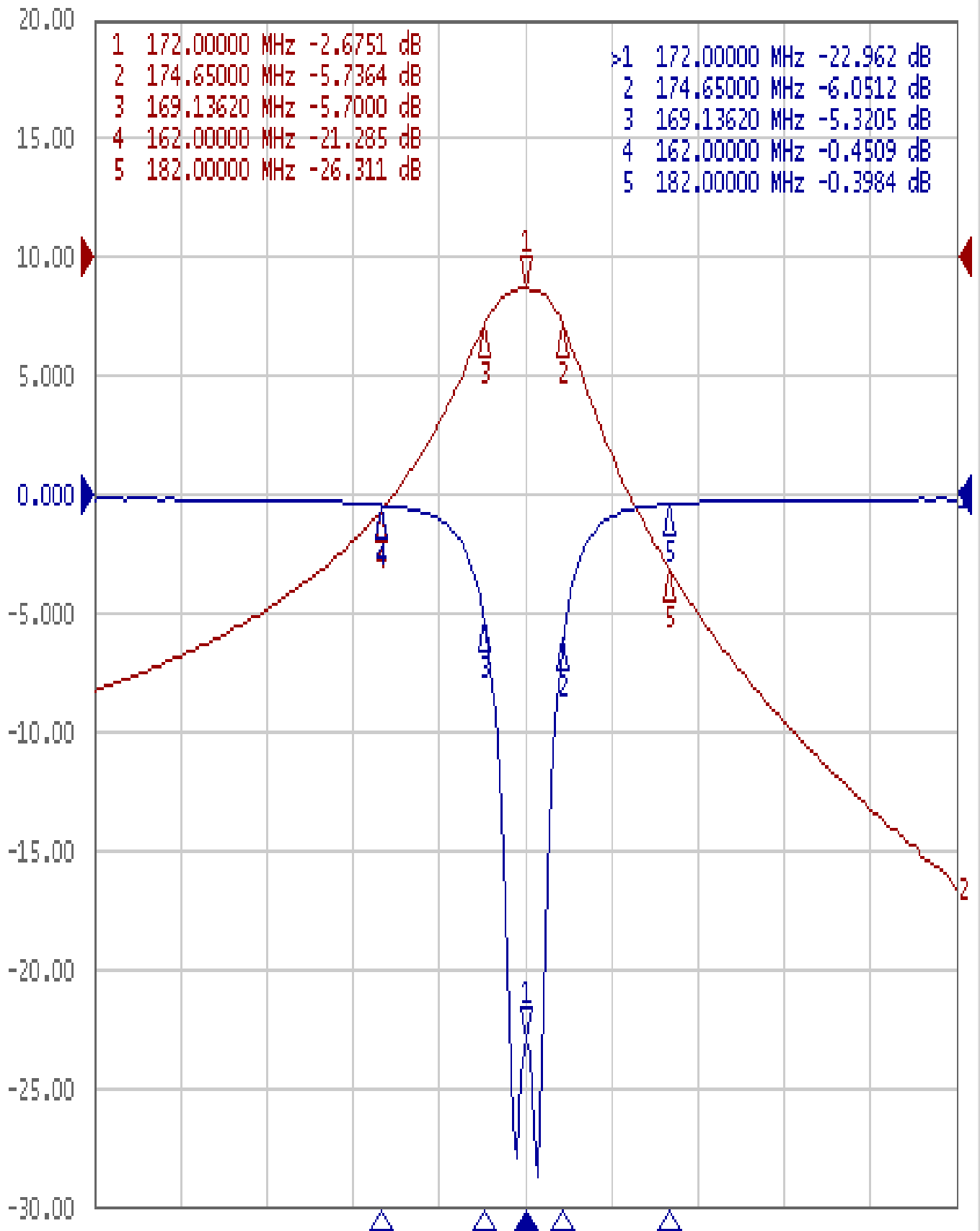
Approval	Supervisor	Designer	Aperture size
C.Y.Chang	C.K.Chang	W.W.Wang	7H2S(4*5.35)(5.38) 7H024RB4

TEMWELL CORPORATION

Performance-TD62716A-172M

201709037CD

▶ Tr1 S11 Log Mag 5.000dB/ Ref 0.000dB [F2]
Tr2 S21 Log Mag 10.00dB/ Ref 0.000dB [F2]



1 Center 172 MHz

IFBW 70 kHz

Span 60 MHz Cor !